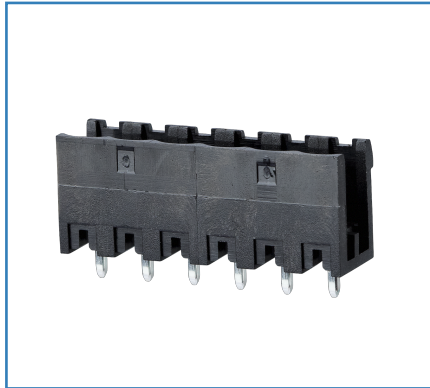


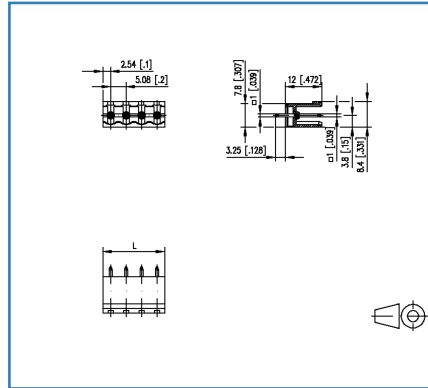
Data sheet

PT116xxVBEC Typ 219

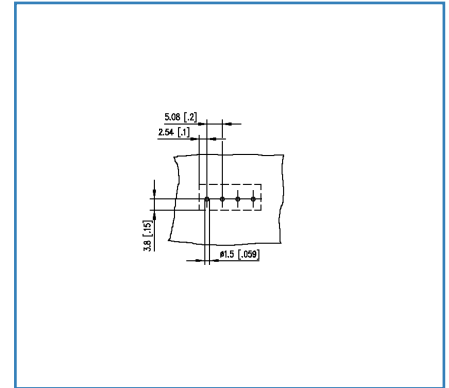
Illustrations



Dimensional drawing



Drill pattern





See enlarged drawings at the end of document

Product specification

- pin header, solderable
- centerline 5.08 mm, direction of connection vertical 0°
- open ends, fittable without loss of poles
- color black
- codeable

Technical Data

General Data			
Solder pin length	3.25 mm		
min. number of poles	2		
max. number of poles	24		
Insulating material class	CTI 600		
clearance/creepage dist.	4.08 mm		
protection category	IP00		
Overvoltage category	III	III	II
Pollution degree	3	2	2
Rated voltage	320 V	800 V	800 V
Rated test voltage	4 kV	4 kV	4 kV

Approvals	
 V / A	300 / 15
approval UL - File No.	E121004
 1.5 mm ²	320 V / 4 kV / 13.5 A / 1.0 x 1.0 mm

Material	
insulating material	PA66
flammability class	V0
contact pin material	CuFe
contact pin surface	Ni + Ag
Glow-Wire Flammability GWFI	960 °C acc. to IEC 60695-2-12
Glow-Wire Flammability GWIT	775 °C acc. to IEC 60695-2-13

Climatic Data	
upper limit temperature	105 °C
lower limit temperature	-40 °C

General	
Tolerance	ISO 2768 -mH
Solderability	Acc. to JEDEC JESD22-B102E 245°C/5s

Accessories

P/N	Designation
700024-01-9	700024
700523-0157	Geh_Kappe_swg_Block



Data sheet
PT116xxVBEC Typ 219

Page 4/6

P/N
312191xx**xx=number of poles**

2019/10/28

Version: Q

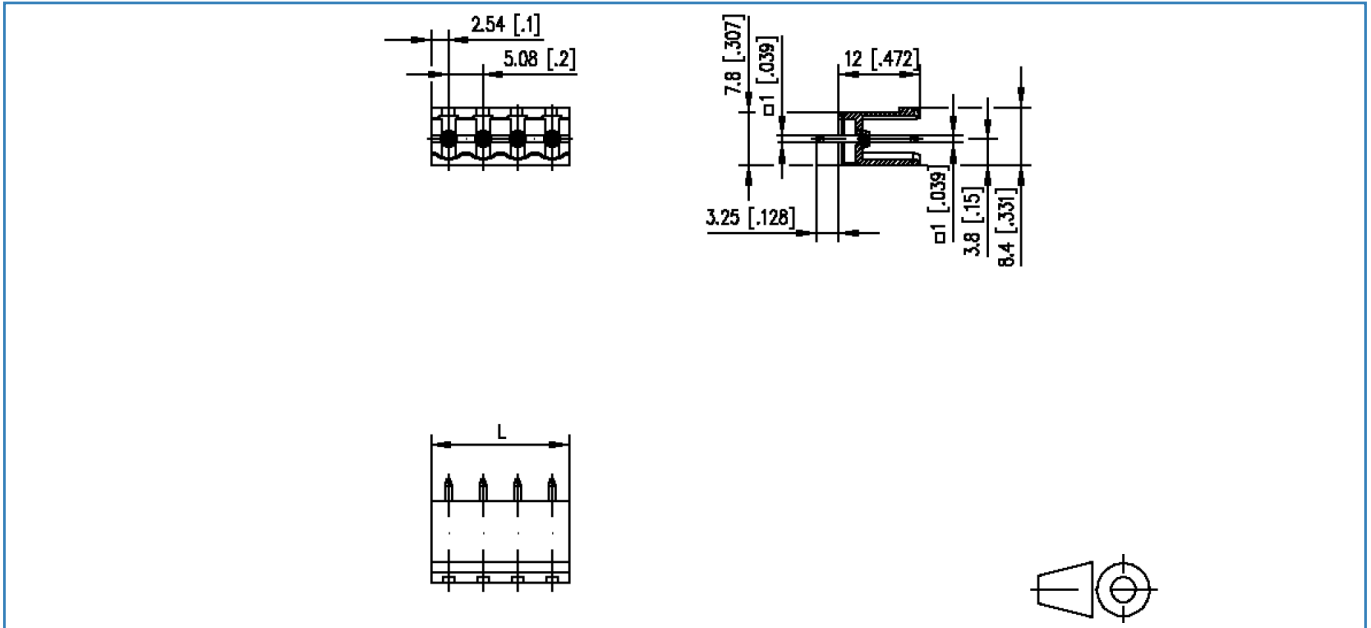
Counterpart of

P/N	Designation
312131	RP036xxHBLC Typ 213
312141	RP036xxHBLD Typ 214
312491	RP016xxVBLC Typ 249
312492	RP01AxxVBLC Typ 249
312501	RP016xxSBLC Typ 250
ASP046	SP046xxVBNC ASP046
SP066XXVBNC	SP066xxVBNC
SP066XXVBPC	SP066xxVBPC



Illustrations

Dimensional drawing

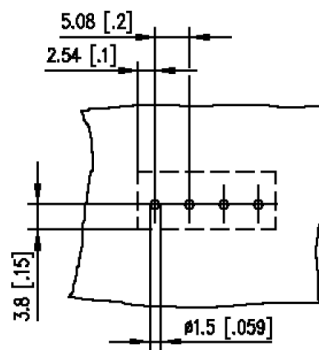


$L = (\text{pole size} - 1) \times \text{centerline} + 4.98 \text{ mm} [0.196]$

© 2019 METZ CONNECT - Technische Änderungen vorbehalten! Subject to modifications! Sous réserve de modifications techniques!

Illustrations

Drill pattern



© 2019 METZ CONNECT - Technische Änderungen vorbehalten! Subject to modifications! Sous réserve de modifications techniques!

