

# Data sheet

## RT016xxHBWC Typ 101

Page 1/5

P/N  
311011xx

xx=number of poles

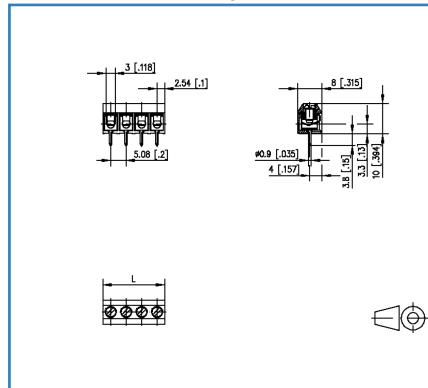
2019/10/25

Version: X

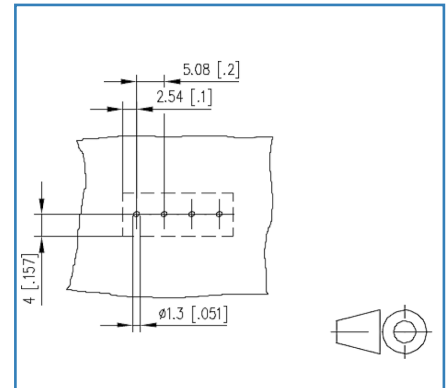
### Illustrations



Dimensional drawing



Drill pattern



See enlarged drawings at the end of document



### Product specification

- screw type terminal block, solderable
- centerline 5.08 mm, direction of connection 90°
- wire protector, fittable without loss of poles
- color black

## Technical Data

General Data			
Tightening torque SEV	0.4 Nm		
Tightening torque UL	3.5 lb-in		
Solder pin length	3.8 mm		
min. number of poles	2		
max. number of poles	22		
Insulating material class	CTI 600		
clearance/creepage dist.	2.7 mm		
protection category	IP10		
Min. insul. strip length	6 mm		
Overvoltage category	III	III	II
Pollution degree	3	2	2
Rated voltage	63 V	320 V	320 V
Rated test voltage	2.5 kV	2.5 kV	2.5 kV

Connection Data	
rat.wiring solid AWGmax	0.34 mm <sup>2</sup> - 1.5 mm <sup>2</sup> / AWG 28 - AWG 14
rat.wiring strand.AWGmax	0.34 mm <sup>2</sup> - 1.5 mm <sup>2</sup> / AWG 28 - AWG 14

Approvals	
 V / A / AWG	300 / 15 / 28 - 14
approval UL - File No.	E121004
 1.5 mm <sup>2</sup>	130 V / 17.5 A / 17.5A / T60

Material	
insulating material	PA66
flammability class	V0
terminal body material	CuZn
terminal body surface	Ni + Sn
screw surface	Zn Cr(VI)-frei/free
wire protector material	CuSn
wire protector surface	Sn
screw thread	M3
Glow-Wire Flammability GWFI	960 °C acc. to IEC 60695-2-12
Glow-Wire Flammability GWIT	775 °C acc. to IEC 60695-2-13
REACH - substance (SVHC)	Lead / 7439-92-1

**Data sheet**  
**RT016xxHBWC Typ 101**

Page 3/5

P/N  
**311011xx****xx=number of poles**

2019/10/25

Version: X

**Technical Data****Climatic Data**

upper limit temperature	105 °C
lower limit temperature	-40 °C

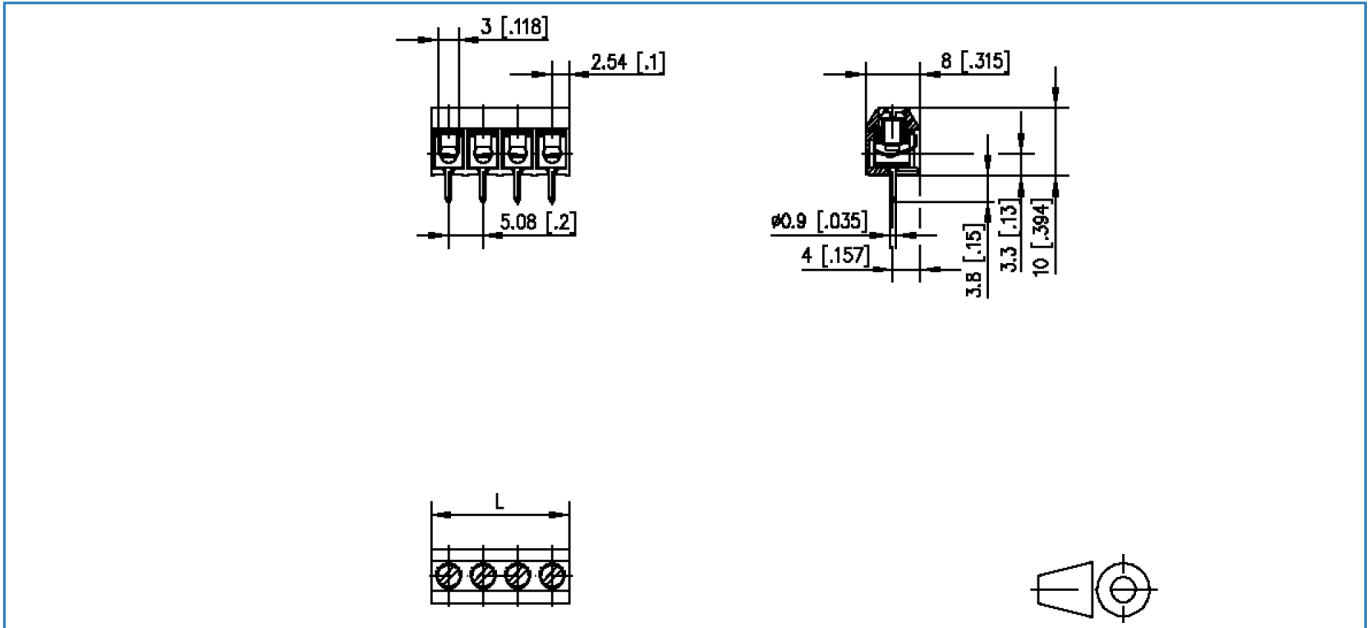
**General**

Tolerance	ISO 2768 -mH
Solderability	Acc. to JEDEC JESD22-B102E 245°C/5s



**Illustrations**

Dimensional drawing

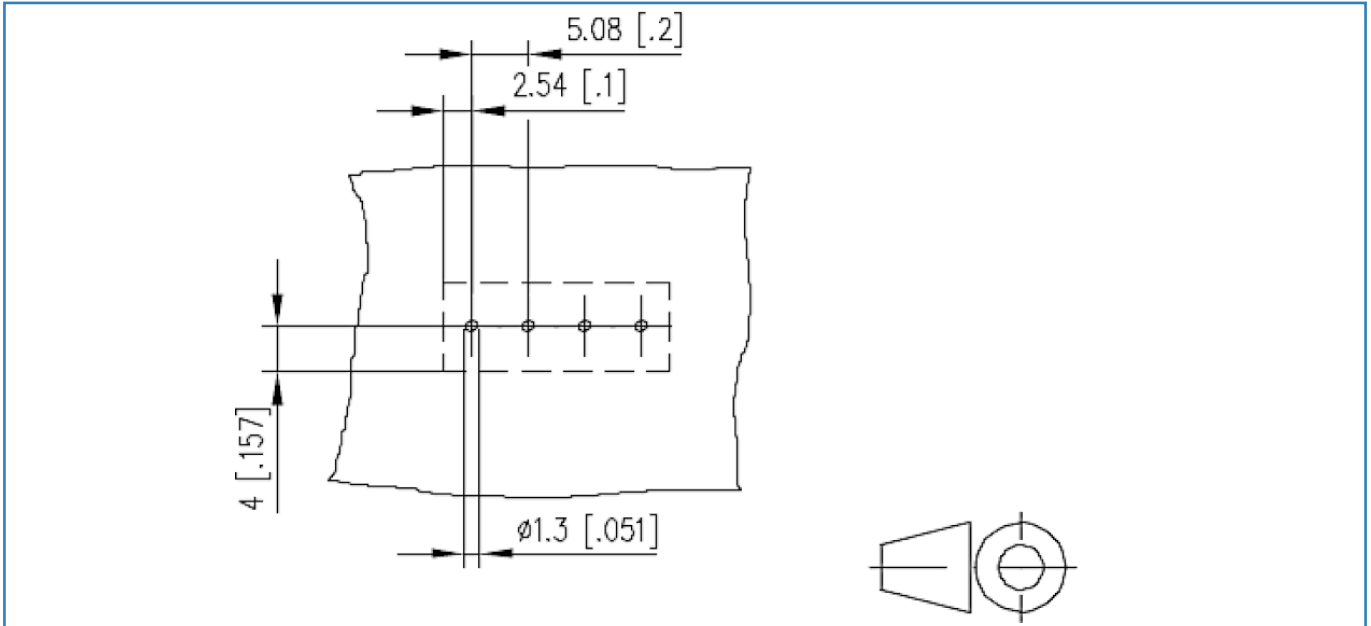


$L = (\text{pole size} - 1) \times \text{centerline} + 5.08 \text{ mm } [0.2]$

© 2019 METZ CONNECT - Technische Änderungen vorbehalten! Subject to modifications! Sous réserve de modifications techniques!

**Illustrations**

Drill pattern



© 2019 METZ CONNECT - Technische Änderungen vorbehalten! Subject to modifications! Sous réserve de modifications techniques!