

Data sheet

RT029xxHBLC Typ 071

Page 1/5

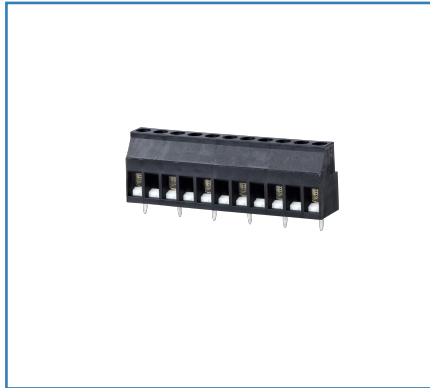
P/N
310712xx

xx=number of poles

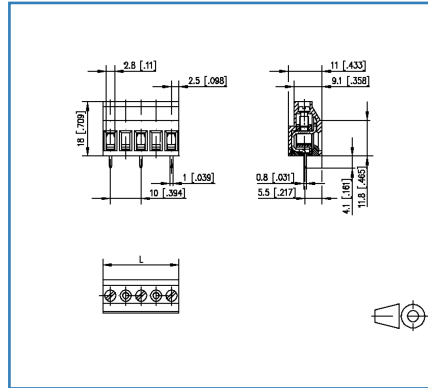
2019/10/24

Version: R

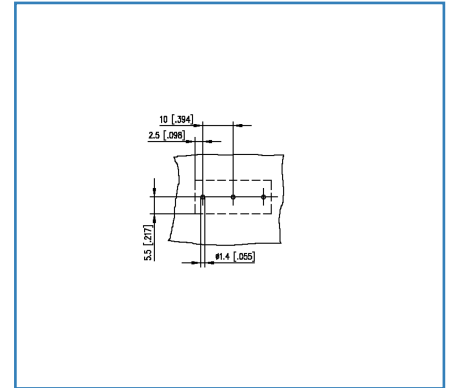
Illustrations



Dimensional drawing



Drill pattern



See enlarged drawings at the end of document



Product specification

- screw type terminal block, solderable
- centerline 10.00 mm, direction of connection 90°
- lift system, fittable without loss of poles
- color black

Technical Data

General Data			
Tightening torque SEV	0.5 Nm		
Tightening torque UL	6 lb-in		
Solder pin length	4.1 mm		
min. number of poles	2		
max. number of poles	12		
Insulating material class	CTI 600		
clearance/creepage dist.	6.4 mm		
protection category	IP20		
Min. insul. strip length	8 mm		
Overvoltage category	III	III	II
Pollution degree	3	2	2
Rated voltage	400 V	1000 V	1000 V
Rated test voltage	4 kV	4 kV	4 kV

Connection Data	
rat.wiring solid AWGmax	0.34 mm ² - 2.5 mm ² / AWG 22 - AWG 12
rat.wiring strand.AWGmax	0.34 mm ² - 2.5 mm ² / AWG 22 - AWG 12

Approvals	
 V / A / AWG	600 / 20 / 22 - 12
approval UL - File No.	E121004
 2.5 mm ²	750 V / 24 A / 24A / T60

Material	
insulating material	PA66
flammability class	V0
contact material	CuZn
contact surface	Ni + Sn
terminal body material	CuZn
terminal body surface	Ni
screw surface	Cu + Ni
screw thread	M3
Glow-Wire Flammability GWFI	960 °C acc. to IEC 60695-2-12
Glow-Wire Flammability GWIT	775 °C acc. to IEC 60695-2-13
REACH - substance (SVHC)	Lead / 7439-92-1

Data sheet
RT029xxHBLC Typ 071

Page 3/5

P/N
310712xx**xx=number of poles**

2019/10/24

Version: R

Technical Data**Climatic Data**

upper limit temperature	105 °C
lower limit temperature	-40 °C

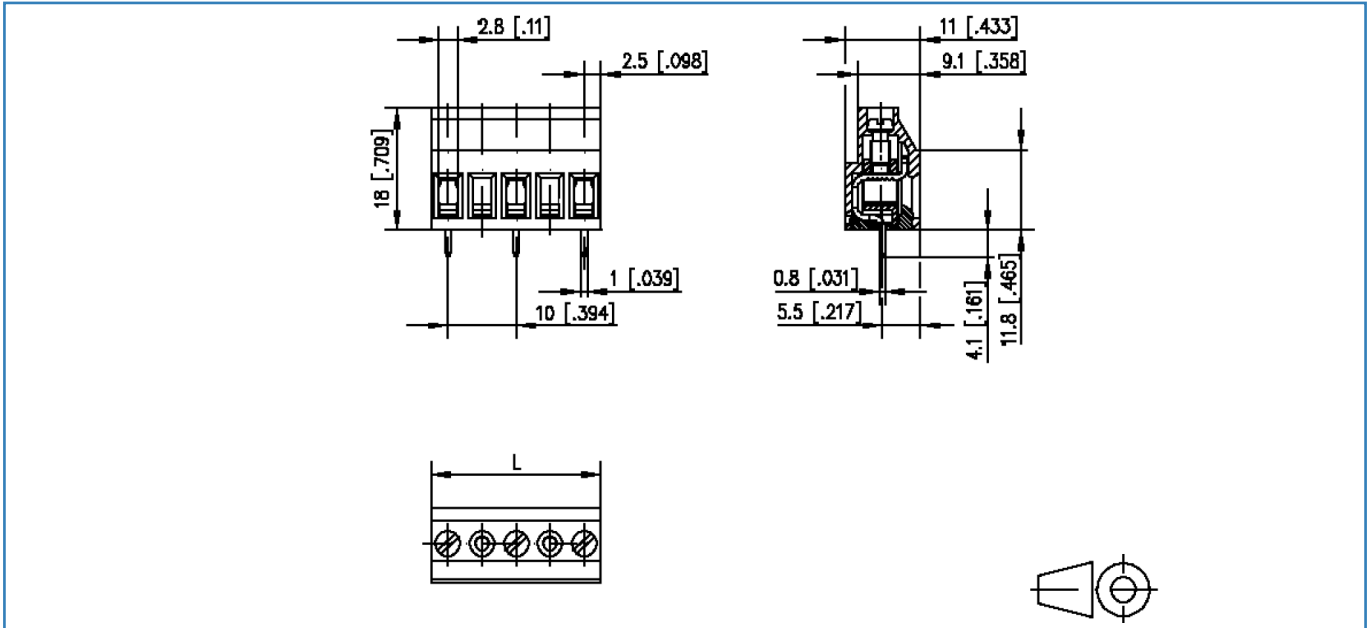
General

Tolerance	ISO 2768 -mH
Solderability	Acc. to JEDEC JESD22-B102E 245°C/5s



Illustrations

Dimensional drawing



$L = (\text{pole size} - 1) \times \text{centerline} + 5 \text{ mm } [0.197]$

© 2019 METZ CONNECT - Technische Änderungen vorbehalten! Subject to modifications! Sous réserve de modifications techniques!



Illustrations

Drill pattern

