

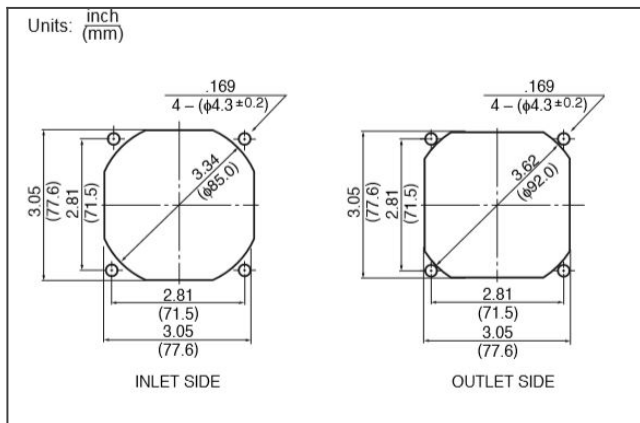
General Specifications

Motor Protection: Auto Restart/Polarity Protection
 Insulation Resistance: 10M Ohm or over with a DC500V Megger
 Dielectric Withstand Voltage: AC 700V 1st
 Allowable Ambient Temperature Range:
 N Class: -10 degree C ~ +50 degree C (Operating)
 L, M Class: -40 degree C ~ +60 degree C (Operating)
 All Class: -40 degree C ~ +60 degree C (Storage)
 (non-condensing environment)
 (non-condensing environment)

order part 3106KL-04W-B59-B50 Ball Bearing Fan DC Fans



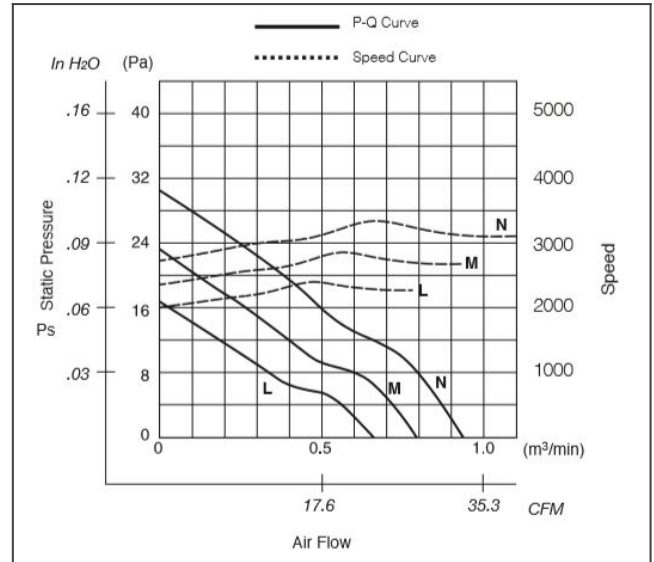
3106KL panel cut out



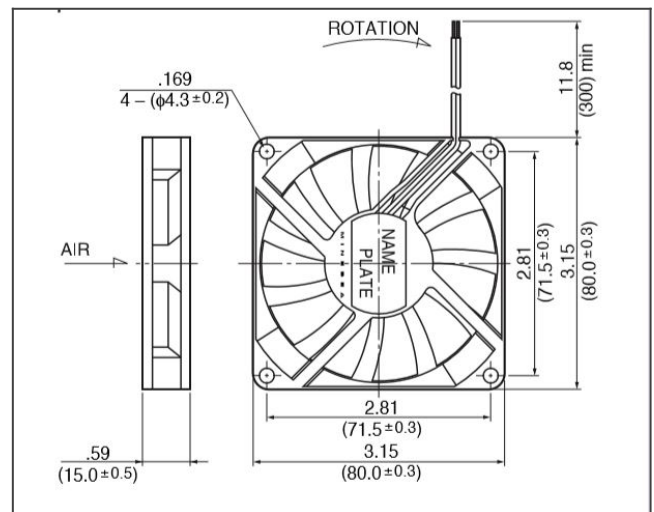
Material

Casing: Plastic (Black) UL94V-0
 Impeller: Plastic (Black) UL94V-0
 Lead Wire: UL1007, AWG26, +Red, -Black

3106KL characteristic curve



3106KL product drawing



Detailed Specifications

Expected Life:	25 degree C 70,000 Hours (L10)
DC Fan:	Ball Bearing Fan
Nominal Voltage:	12[V]
Operating Voltage Lower:	6[V]
Operating Voltage Upper:	13[V]
Current:	0.23[A]
Input Power:	2.76[W]
Speed:	3000[min^{-1}]
Max. Air Flow:	0.93[m^3/min]
Max. Air Flow:	32.8[CFM]
Max. Static Pressure:	30[Pa]
Max. Static Pressure:	0.12[In H ₂ O]
Noise:	34[dB]
Mass:	50[g]
Fan Size:	80[mm]
Fan Width:	15[mm]

DC Fans