

Data Sheet

RP035xxIBLN

Page 1/5

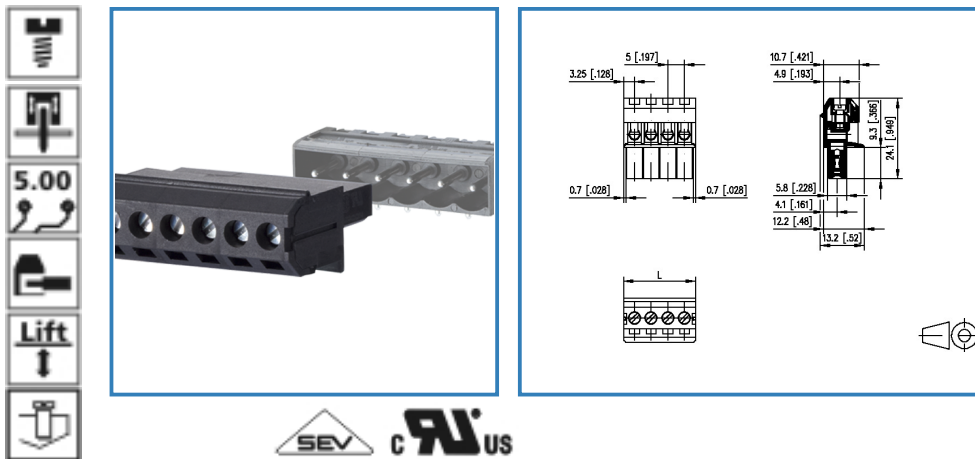
P/N

310131xx

xx=number of poles

2017/01/24

Illustration



see enlarged drawing at the end of the document

Product specification

- screw type terminal block, pluggable
- centerline 5.00 mm, direction of connection 90°
- lift system
- color black
- wire entry uncodeable side perpendicular to plug direction, lamella



Data Sheet

RP035xxIBLN

Page 2/5

P/N

310131xx

xx=number of poles

2017/01/24

Technical Data

General Data


Tightening torque SEV	0.5 Nm		
Tightening torque UL	7 lb-in		
min. number of poles	2		
max. number of poles	24		
Insulating material class	CTI 600		
clearance/creepage dist.	3.4 mm		
protection category	IP 20		
Overvoltage category	III	III	II
Pollution degree	3	2	2
Rated voltage	250 V	630 V	630 V
Rated test voltage	4.0 kV	4.0 kV	4 kV

Connection data

Rated wiring solid wire	0.33 - 2.5 mm ² / AWG 22 - 12		
Rated wiring stranded wire	0.33 - 2.5 mm ² / AWG 22 - 12		

Approvals

 US V / A / AWG	300 / 15 / 22 - 12		
---	--------------------	--	--

	13.5 A / 320 V / 4 kV / 3 / IEC 61984 / 0.08 - 2.5 mm ²		
--	---	--	--

Material

insulating material	PA66
flammability class	V0
contact material	CuBe
Glow-Wire Flammability GWFI	960
Glow-Wire Flammability GWIT	775
contact surface	Ni + Ag
terminal body material	CuZn
terminal body surface	Ni
screw surface	Zn Cr(VI)-frei/free
wire protector material	CuNiZn
screw thread	M3

Climatic properties

upper limit temperature	105 °C
lower limit temperature	-40 °C

Data Sheet

RP035xxIBLN

Page 3/5

P/N

310131xx

xx=number of poles

2017/01/24

General

Tolerance	ISO 2768 -mH
-----------	--------------



Data Sheet

RP035xxIBLN

Page 4/5

P/N

310131xx

xx=number of poles

2017/01/24

Matching Part

P/N	Product name
310191	PT045xxVBEC Typ 019
310201	PT045xxVBBN Typ 020
310291	PT045xxHBEC Typ 029
310301	PT045xxHBBN Typ 030
310311	PT045xxHBVC Typ 031
310321 (on request)	PT045xxHBVN Typ 032

Accessories

P/N	Product name
360176 (on request)	360176

Data Sheet

RP035xxIBLN

Page 5/5

P/N

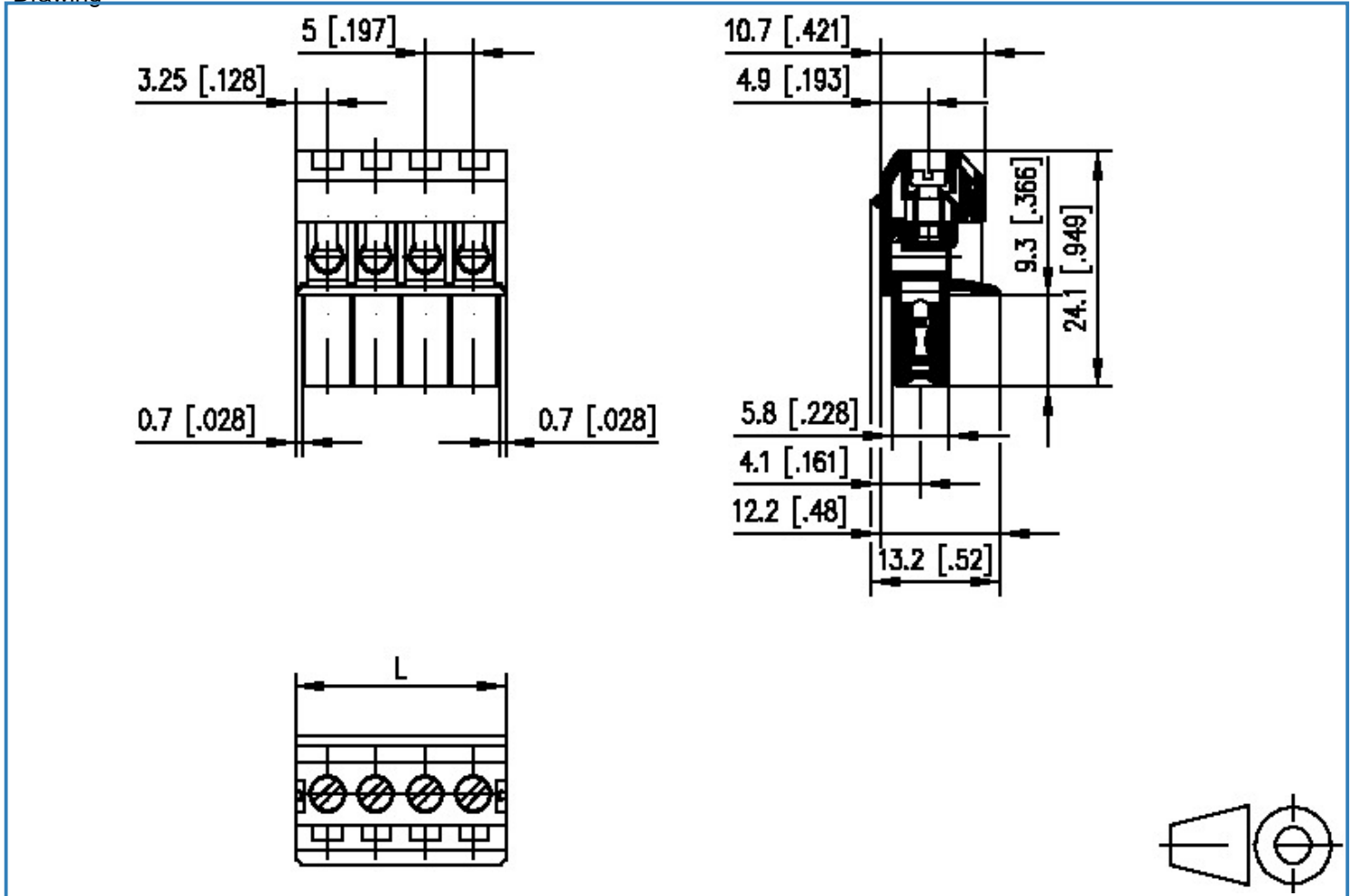
310131xx

xx=number of poles

2017/01/24

Illustration

Drawing



$$L = (\text{pole size} - 1) \times \text{centerline} + 6.5 [0.256]$$

