

Actuator

31-
801.002



<https://eao.com/p/31-801.002>

Your product:



31-801.002 Actuator

FRONT

Front form:	rectangular
Front bezel material:	Plastic
Front bezel colour:	Black
Front dimension:	24 mm x 18 mm

MOUNTING

Design:	raised
Mounting cut-out:	Ø 16 mm

ELECTRICAL CHARACTERISTICS

Switching voltage and switching current:	Typ. 10 VDC ... 26 VDC, ≤ 20mA
Operating voltage:	10 - 26 V DC

MECHANICAL CHARACTERISTIC

Weight:	0.015 kg
Tightening torque:	Fixing nut max. 0.5 Nm
Terminal:	Plug-in terminal, 2.8 x 0.5 mm

ACOUSTICAL CHARACTERISTICS

Tone frequency:	ca. 2.0 kHz
------------------------	-------------

AMBIENT CONDITION

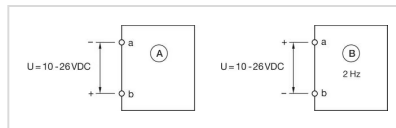
IP Protection: IP40
Operating temperature: - 25 °C ... + 55 °C
Storage temperature: - 40 °C ... + 85 °C

CERTIFICATE

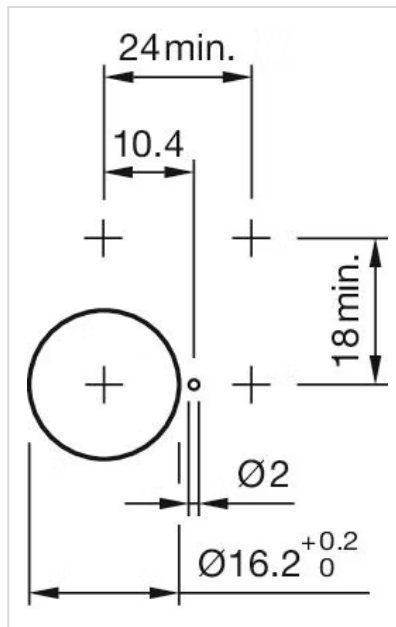
Approbations: DNV
Conformities: CE, UKCA, 2011 / 65 / EC (RoHS), 2014 / 35 / EU (LVD)

OTHER

Buzzer system: Electronic non-contacting buzzer with IC oscillator
Housing material: Plastic
Short Description: Actuator, Ø 16 mm, 24 mm x 18 mm, rectangular, Black, Plastic, Plug-in terminal, 2.8 x 0.5 mm
Housing colour: Black
Wiring diagrams:



Mounting cut-outs:



Dimension drawings:

