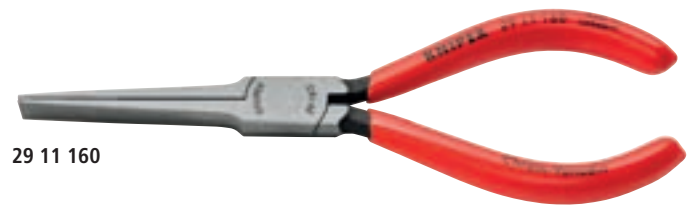
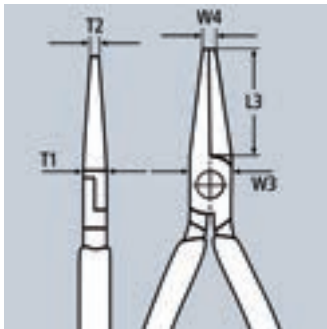


## Telephone Pliers

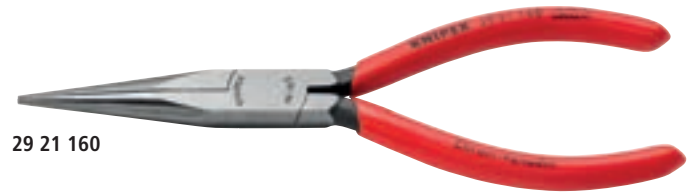
- > Gripping surfaces cross-hatched, knurled
- > Chrome vanadium electric steel, forged, oil-hardened
- > DIN ISO 5745

### 29 21 160 / 29 25 160

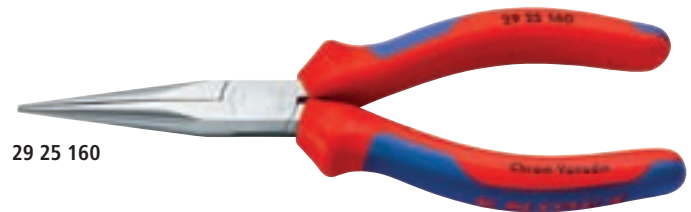
- > Extra slim, fine tips; also suitable for soldering work



29 11 160



29 21 160



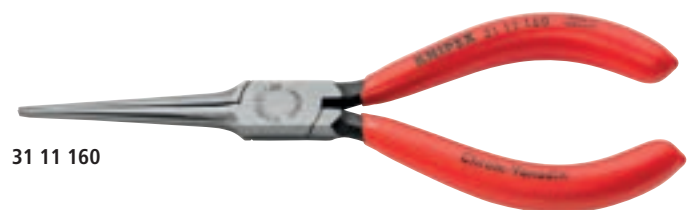
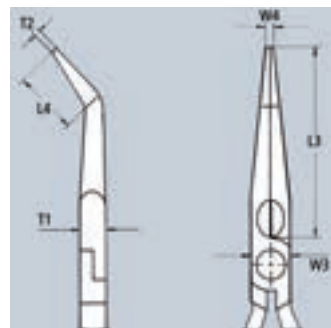
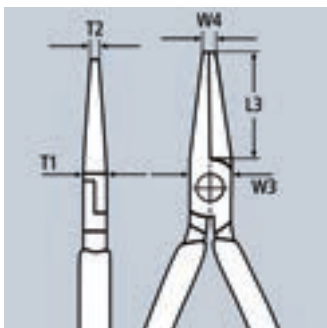
29 25 160

| Article No. | EAN    | ↔ mm |  | Pliers             | Head          | Handles                    | Dimensions |       |       |       |       | Δ g |
|-------------|--------|------|--|--------------------|---------------|----------------------------|------------|-------|-------|-------|-------|-----|
|             |        |      |  |                    |               |                            | L3 mm      | W3 mm | T1 mm | W4 mm | T2 mm |     |
| 29 11 160   | 016175 | 160  |  | black atramentized | polished      | plastic coated             | 55.0       | 14.0  | 8.0   | 2.5   | 8.5   | 103 |
| 29 21 160   | 043454 | 160  |  | black atramentized | polished      | plastic coated             | 54.0       | 14.0  | 9.0   | 2.0   | 2.0   | 112 |
| 29 25 160   | 043478 | 160  |  | chrome plated      | chrome plated | with multi-component grips | 54.0       | 14.0  | 9.0   | 2.0   | 2.0   | 139 |

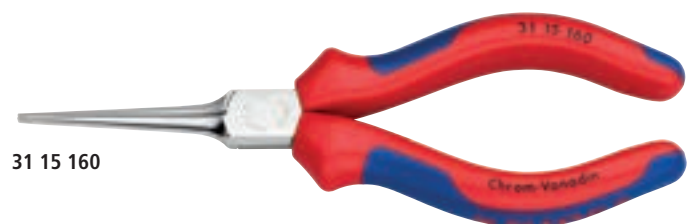
## Gripping Pliers

### Needle-Nose Pliers

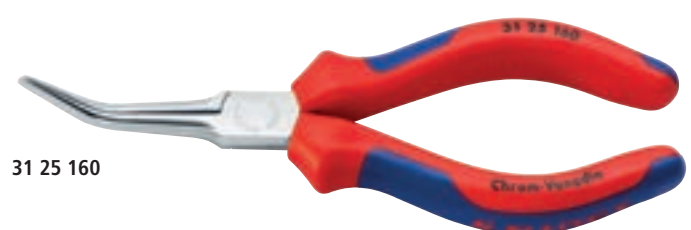
- > Precision pliers for very exact assembly, bending and adjusting work
- > With extra long jaws: length of jaws 55.0 mm
- > Smooth ground gripping surfaces
- > Edges carefully deburred
- > Chrome vanadium electric steel, forged, oil-hardened



31 11 160



31 15 160



31 25 160

| Article No. | EAN    | ↔ mm |  | Pliers             | Head          | Handles                    | Dimensions |       |       |       |       | Δ g |       |
|-------------|--------|------|--|--------------------|---------------|----------------------------|------------|-------|-------|-------|-------|-----|-------|
|             |        |      |  |                    |               |                            | L3 mm      | L4 mm | W3 mm | T1 mm | W4 mm |     | T2 mm |
| 31 11 160   | 044475 | 160  |  | black atramentized | polished      | plastic coated             | 55.0       |       | 16.0  | 7.5   | 1.8   | 2.5 | 100   |
| 31 15 160   | 016465 | 160  |  | chrome plated      | chrome plated | with multi-component grips | 55.0       |       | 16.0  | 7.5   | 1.8   | 2.5 | 124   |
| 31 21 160   | 046790 | 160  |  | black atramentized | polished      | plastic coated             | 55.0       | 27.0  | 16.0  | 7.5   | 1.8   | 2.5 | 97    |
| 31 25 160   | 016489 | 160  |  | chrome plated      | chrome plated | with multi-component grips | 55.0       | 27.0  | 16.0  | 7.5   | 1.8   | 2.5 | 123   |