

# Actuator

31-  
040.005



<https://eao.com/p/31-040.005>

Your product:

---



## 31-040.005 Actuator

### FRONT

<b>Front bezel colour:</b>	Black
<b>Front dimension:</b>	24 mm x 18 mm
<b>Front bezel material:</b>	Plastic
<b>Front form:</b>	rectangular

### MOUNTING

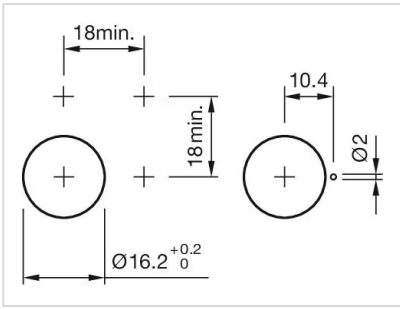
<b>Mounting cut-out:</b>	Ø 16 mm
<b>Design:</b>	raised

### MECHANICAL CHARACTERISTIC

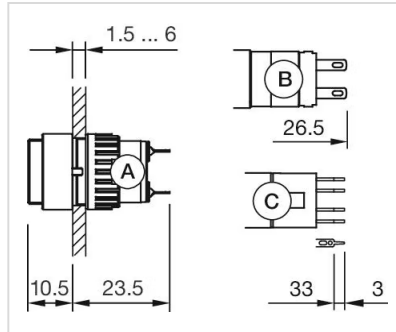
<b>Terminal:</b>	Soldering terminal
<b>Weight:</b>	0.004 kg

### OTHER

<b>Housing material:</b>	Plastic
<b>Housing colour:</b>	Black
<b>Short Description:</b>	Actuator, Ø 16 mm, 24 mm x 18 mm, rectangular, Black, Plastic, Soldering terminal
<b>Internal size:</b>	21,5 mm x 15,3 mm
<b>Mounting cut-outs:</b>	



**Dimension drawings:**



**Wiring diagrams:**

