

**PLEASE CHECK WWW.MOLEX.COM FOR LATEST PART INFORMATION**

**Part Number:** [03-09-2161](#)  
**Status:** **Active**  
**Overview:** Standard .093"  
**Description:** 2.36mm Diameter Standard .093" Pin and Socket Plug Housing without Mounting Ears, Positive Lock, 2 Circuits

**Documents:**

[3D Model](#) [RoHS Certificate of Compliance \(PDF\)](#)  
[Drawing \(PDF\)](#)

**Agency Certification**

CSA LR19980  
 UL E29179

**General**

Product Family Crimp Housings  
 Series [42191](#)  
 Application Power, Wire-to-Wire  
 Comments Glow Wire Equivalent Part Number [50361688](#). Polarized to Mating Part, without Mounting Ears  
 Overview [Standard .093"](#)  
 Product Name Standard .093"  
 UPC 800753818408

**Physical**

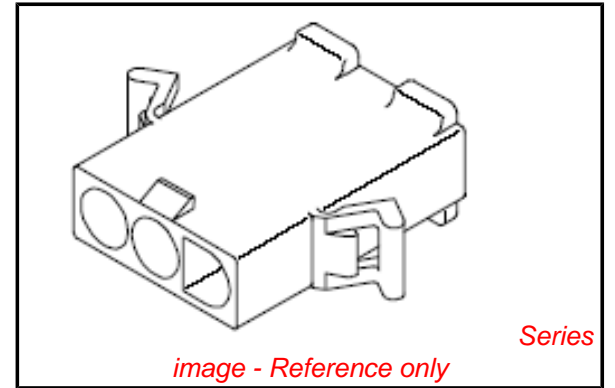
Breakaway No  
 Circuits (maximum) 2  
 Flammability 94V-2  
 Gender Plug  
 Glow-Wire Compliant No  
 Keying to Mating Part None  
 Lock to Mating Part Yes  
 Net Weight 1.967/g  
 Number of Rows 1  
 Packaging Type Bag  
 Panel Mount No  
 Pitch - Mating Interface 6.30mm  
 Pitch - Termination Interface 6.30mm  
 Polarized to Mating Part Yes  
 Ports 0  
 Stackable No  
 Temperature Range - Operating -55°C to +105°C

**Material Info**

Old Part Number 42191-2P1

**Reference - Drawing Numbers**

Sales Drawing SD-42191-2\*



**EU RoHS**

**ELV and RoHS Compliant**  
**REACH SVHC Contains SVHC: No**  
**Low-Halogen Status Low-Halogen**

**China RoHS**



**Need more information on product environmental compliance?**

Email [productcompliance@molex.com](mailto:productcompliance@molex.com)  
 For a multiple part number RoHS Certificate of Compliance, [click here](#)

Please visit the [Contact Us](#) section for any non-product compliance questions.

**Search Parts in this Series**

[42191Series](#)

**Mates With**

[03091161](#)

**Use With**

[1189](#) Crimp Terminals, [1190](#) Crimp Terminals, [1380](#) Male Crimp Terminals, [1381](#) Female Crimp Terminals, [1433](#) Crimp Terminals, [1434](#) Male Crimp Terminals, [2605](#) , [2606](#) , [1973](#) , [2151](#) , [2273](#) , [2870](#) , [2871](#) , [4272](#)