

Panel feed-through terminal block - UW 10-POT/S



3073474

<https://www.phoenixcontact.com/de/produkte/3073474>

Please be informed that the data shown in this PDF document is generated from our Online Catalog. Please find the complete data in the user documentation. Our General Terms of Use for Downloads are valid.



Panel feed-through terminal block, connection method: Screw connection with tension sleeve, Solder connection, number of positions: 1, load current: 57 A, cross section: 0.5 mm² - 16 mm², connection direction of the conductor to plug-in direction: 0 °, width: 10.1 mm

Your advantages

- Well-known connection principle allows worldwide use
- Low temperature rise, thanks to maximum contact force
- Tool-free snap-in principle enables easy mounting on the device panel
- Automatic panel thickness compensation enables universal use
- Reliable seal even with low-viscosity molding compounds

Commercial Data

| | |
|--------------------------------------|---------------------|
| Item number | 3073474 |
| Packing unit | 50 pc |
| Minimum order quantity | 50 pc |
| Sales Key | A1 - Reihenklemmen |
| Product Key | AA1CDB |
| Catalog Page | Page 611 (C-1-2013) |
| GTIN | 4046356344647 |
| Weight per Piece (including packing) | 15,22 g |
| Weight per Piece (excluding packing) | 12,6 g |
| Customs tariff number | 85369010 |
| Country of origin | CN |

Panel feed-through terminal block - UW 10-POT/S



3073474

<https://www.phoenixcontact.com/de/produkte/3073474>

Technical Data

Product properties

| | |
|-----------------------|-----------------------------------|
| Product type | Panel feed-through terminal block |
| | UW 10-POT |
| Number of positions | 1 |
| Pitch | 10.1 mm |
| Number of connections | 2 |
| Number of rows | 1 |
| Number of potentials | 1 |

Insulation characteristics

| | |
|----------------------|-----|
| Overvoltage category | III |
| Degree of pollution | 3 |

Electrical properties

| | |
|-----------------------------|-------|
| Nominal current I_N | 57 A |
| Nominal voltage U_N | 400 V |
| Degree of pollution | 3 |
| Rated voltage (III/3) | 400 V |
| Rated surge voltage (III/3) | 5 kV |

Connection data

Connection technology

| | |
|-----------------------|--------------------|
| Connector system | UW 10 |
| Nominal cross section | 10 mm ² |

Conductor connection exterior

| | |
|---|---|
| Connection method | Screw connection with tension sleeve |
| Connection direction of the conductor to plug-in direction | 0 ° |
| Conductor cross section solid | 0.5 mm ² ... 16 mm ² |
| Conductor cross section flexible | 0.5 mm ² ... 10 mm ² |
| Conductor cross section flexible, with ferrule without plastic sleeve | 0.5 mm ² ... 10 mm ² |
| Conductor cross section, flexible, with ferrule, with plastic sleeve | 0.5 mm ² ... 10 mm ² |
| 2 conductors with same cross section, solid | 0.5 mm ² ... 4 mm ² |
| 2 conductors with same cross section, flexible | 0.5 mm ² ... 4 mm ² |
| 2 conductors with same cross section, flexible, with ferrule without plastic sleeve | 0.5 mm ² ... 2.5 mm ² |
| 2 conductors with the same cross section, flexible, with TWIN ferrule with plastic sleeve | 0.5 mm ² ... 6 mm ² |
| Internal cylindrical gage | B6 |
| Stripping length | 11 mm |
| Tightening torque | 1.5 Nm ... 1.8 Nm |

Panel feed-through terminal block - UW 10-POT/S



3073474

<https://www.phoenixcontact.com/de/produkte/3073474>

Conductor connection interior

| | |
|--|-------------------|
| Connection method | Solder connection |
| Connection direction of the conductor to plug-in direction | 0 ° |

Mounting

| | |
|-----------------|---------------|
| Plate thickness | 1 mm ... 4 mm |
|-----------------|---------------|

Material specifications

Material data - contact

| | |
|-------------------------|--|
| Note | WEEE/RoHS-compliant, free of whiskers according to IEC 60068-2-82/JEDEC JESD 201 |
| Contact material | Cu alloy |
| Surface characteristics | tin-plated |

Material data - housing

| | |
|---|-------------|
| Color (Housing) | gray (7042) |
| Insulating material | PA |
| Insulating material group | I |
| CTI according to IEC 60112 | 600 |
| Flammability rating according to UL 94 | V0 |
| Glow wire flammability index GWFI according to EN 60695-2-12 | 850 |
| Glow wire ignition temperature GWIT according to EN 60695-2-13 | 775 |
| Temperature for the ball pressure test according to EN 60695-10-2 | 125 °C |

Material data – actuating element

| | |
|-----------|-----|
| Color () | () |
|-----------|-----|

Notes

Safety note

| | |
|-------------|--|
| Safety note | <ul style="list-style-type: none">• Only electrically qualified personnel may install and operate the product. To recognize and prevent danger, the qualified personnel must be familiar with the basics of electrical engineering.• Observe the technical data provided here and refer to the documents listed under "Downloads". The download area contains important information, such as installation notes, technical drawings, and 3D data.• The cable entry funnel is not safe to touch. Never connect or disconnect the terminal when it is energized. Take appropriate steps to ensure touch protection.• To maintain the nominal voltage, cast the terminals on the inside. |
|-------------|--|

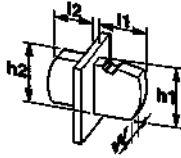
Dimensions

Panel feed-through terminal block - UW 10-POT/S



3073474

<https://www.phoenixcontact.com/de/produkte/3073474>

| | |
|---------------------|--|
| Dimensional drawing |  |
| Pitch | 10.1 mm |
| Width [w] | 10.1 mm |

External dimensions

| | |
|-------------|---------|
| Width [w] | 10.1 mm |
| Height [h1] | 31 mm |
| Length [l1] | 29 mm |

Internal dimensions

| | |
|-------------|---------|
| Width [w] | 10.1 mm |
| Height [h2] | 21 mm |
| Length [l2] | 18.3 mm |

Mechanical tests

Test for conductor damage and slackening

| | |
|---------------|-----------------------|
| Specification | IEC 60947-7-1:2009-04 |
| Result | Test passed |

Pull-out test

| | |
|---|---|
| Specification | IEC 60947-7-1:2009-04 |
| Conductor cross section/conductor type/tractive force setpoint/actual value | 0.5 mm ² / solid / > 20 N |
| | 0.5 mm ² / flexible / > 20 N |
| | 16 mm ² / stranded / > 100 N |
| | 10 mm ² / flexible / > 90 N |

Electrical tests

Temperature-rise test

| | |
|-----------------------------------|--------------------------------|
| Specification | IEC 60947-7-1:2009-04 |
| Requirement temperature-rise test | Increase in temperature ≤ 45 K |

Short-time withstand current

| | |
|---------------|-----------------------|
| Specification | IEC 60947-7-1:2009-04 |
|---------------|-----------------------|

Air clearances and creepage distances | 1. Insulation coordination

| | |
|--|-----------------------|
| Application | without spacer plate |
| Specification | IEC 60947-7-1:2009-04 |
| Insulating material group | I |
| Comparative tracking index (IEC 60112) | CTI 600 |
| Rated insulation voltage (III/3) | 400 V |
| Rated surge voltage (III/3) | 5 kV |

Panel feed-through terminal block - UW 10-POT/S



3073474

<https://www.phoenixcontact.com/de/produkte/3073474>

| | |
|--|------|
| minimum clearance value - non-homogenous field (III/3) | 3 mm |
| minimum creepage distance (III/3) | 5 mm |

Air clearances and creepage distances | 2. Insulation coordination

| | |
|--|-----------------------|
| Application | with spacer plate |
| Specification | IEC 60947-7-1:2009-04 |
| Insulating material group | I |
| Comparative tracking index (IEC 60112) | CTI 600 |
| Rated insulation voltage (III/3) | 500 V |
| Rated surge voltage (III/3) | 6 kV |
| minimum clearance value - non-homogenous field (III/3) | 5.5 mm |
| minimum creepage distance (III/3) | 6.3 mm |

Environmental and real-life conditions

Glow-wire test

| | |
|------------------|------------------------|
| Specification | IEC 60695-2-11:2000-10 |
| Temperature | 960 °C |
| Time of exposure | 30 s |

Ambient conditions

| | |
|---|---|
| Ambient temperature (operation) | -40 °C ... 100 °C (Depending on the current carrying capacity/derating curve) |
| Ambient temperature (storage/transport) | -40 °C ... 70 °C |
| Relative humidity (storage/transport) | 30 % ... 70 % |
| Ambient temperature (assembly) | -5 °C ... 100 °C |

Packaging specifications

| | |
|-------------------|---------------------|
| Type of packaging | packed in cardboard |
|-------------------|---------------------|

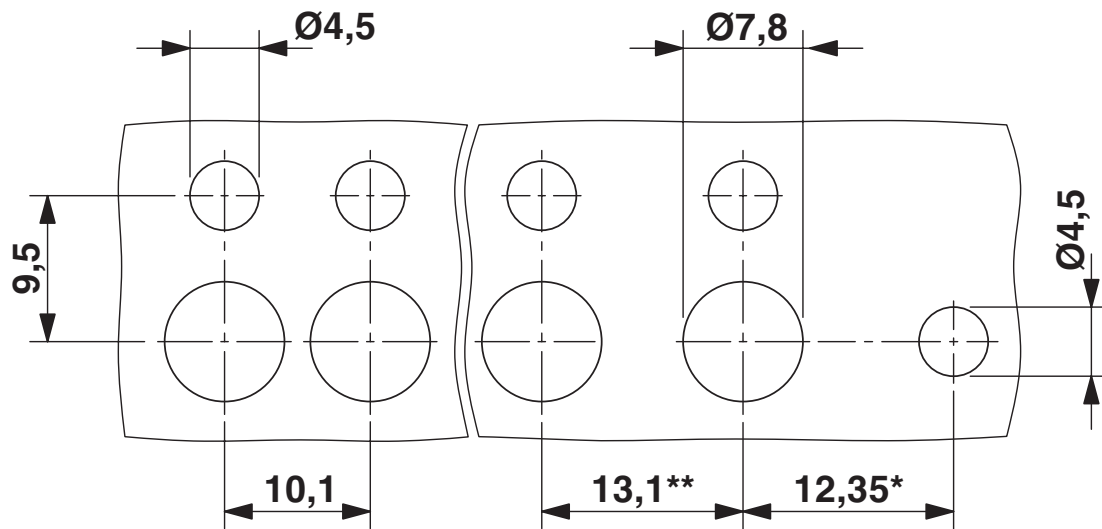
Panel feed-through terminal block - UW 10-POT/S

3073474

<https://www.phoenixcontact.com/de/produkte/3073474>

Drawings

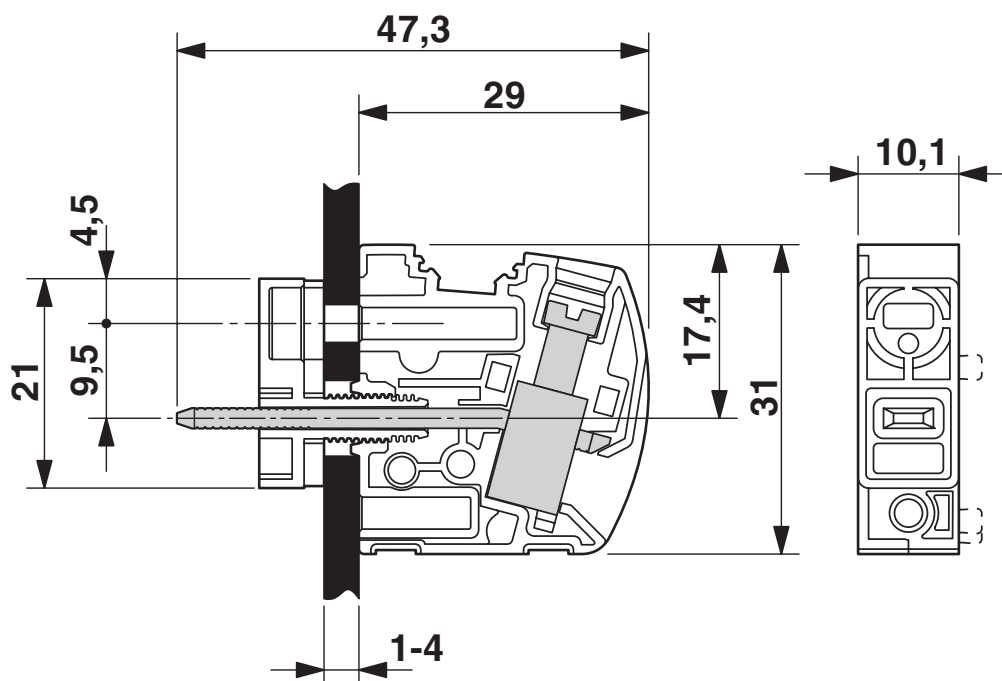
Dimensional drawing



* Only when using the UW...-F flange plate

** Dimensions when using the DP-UW... spacer plate

Dimensional drawing




Panel feed-through terminal block - UW 10-POT/S





3073474

<https://www.phoenixcontact.com/de/produkte/3073474>

Approvals

|  CSA Approval ID: 13631 | | | | |
|--|-----------------------|-----------------------|-------------------|-----------------------------|
| | Nominal Voltage U_N | Nominal Current I_N | Cross Section AWG | Cross Section mm^2 |
| Use group B | 300 V | 65 A | 20 - 6 | - |
| Use group C | 300 V | 65 A | 20 - 6 | - |
| Use group D | 600 V | 65 A | 20 - 6 | - |

|  EAC Approval ID: B.01687 | | | | |
|--|--|--|--|--|
|--|--|--|--|--|

|  cULus Recognized Approval ID: E60425-20100423 | | | | |
|---|-----------------------|-----------------------|-------------------|-----------------------------|
| | Nominal Voltage U_N | Nominal Current I_N | Cross Section AWG | Cross Section mm^2 |
| Use group B | 300 V | 65 A | 20 - 6 | - |
| Use group C | 300 V | 65 A | 20 - 6 | - |
| Use group D | 600 V | 5 A | 20 - 6 | - |

Panel feed-through terminal block - UW 10-POT/S



3073474

<https://www.phoenixcontact.com/de/produkte/3073474>

Classifications

ECLASS

| | |
|---------------|----------|
| ECLASS-9.0 | 27141134 |
| ECLASS-10.0.1 | 27141134 |
| ECLASS-11.0 | 27141134 |

ETIM

| | |
|----------|----------|
| ETIM 8.0 | EC001283 |
|----------|----------|

UNSPSC

| | |
|-------------|----------|
| UNSPSC 21.0 | 39121400 |
|-------------|----------|

Panel feed-through terminal block - UW 10-POT/S



3073474

<https://www.phoenixcontact.com/de/produkte/3073474>


Environmental Product Compliance

| | |
|------------|--|
| China RoHS | Environmentally Friendly Use Period = 50 years For information on hazardous substances, refer to the manufacturer's declaration available under "Downloads" |
|------------|--|

3073474

<https://www.phoenixcontact.com/de/produkte/3073474>

Accessories

 Note: Applying some accessories below might limit this product.


Insertion bridge

Insertion bridge - EB 2-10 - 0203153

<https://www.phoenixcontact.com/de/produkte/0203153>

Insertion bridge, pitch: 10 mm, color: gray



 Max. current carrying capacity: 70 A

Insertion bridge

Insertion bridge - EB 3-10 - 0203328

<https://www.phoenixcontact.com/de/produkte/0203328>

Insertion bridge, pitch: 10 mm, color: gray



 Max. current carrying capacity: 70 A

Panel feed-through terminal block - UW 10-POT/S

3073474

<https://www.phoenixcontact.com/de/produkte/3073474>


Insertion bridge

Insertion bridge - EB 10-10 - 0203137

<https://www.phoenixcontact.com/de/produkte/0203137>

Insertion bridge, pitch: 10 mm, color: gray



 Max. current carrying capacity: 70 A

Zack marker strip

Zack marker strip - ZB 10:UNBEDRUCKT - 1053001

<https://www.phoenixcontact.com/de/produkte/1053001>



Zack marker strip, Strip, white, unlabeled, can be labeled with: PLOTMARK, CMS-P1-PLOTTER, mounting type: snapped, for terminal block width: 10.2 mm, lettering field size: 10.5 mm x 10.15 mm, Number of individual labels: 10

Panel feed-through terminal block - UW 10-POT/S



3073474

<https://www.phoenixcontact.com/de/produkte/3073474>

Zack Marker strip, flat

Zack Marker strip, flat - ZBF10:UNBEDRUCKT - 0809997

<https://www.phoenixcontact.com/de/produkte/0809997>



Zack Marker strip, flat, Strip, white, unlabeled, can be labeled with: CMS-P1-PLOTTER, PLOTMARK, mounting type: snapped, for terminal block width: 10 mm, lettering field size: 5.15 x 10 mm, Number of individual labels: 10

Marker for terminal blocks

Marker for terminal blocks - UC-TM 10 - 0818069

<https://www.phoenixcontact.com/de/produkte/0818069>



Marker for terminal blocks, Sheet, white, unlabeled, can be labeled with: BLUEMARK ID COLOR, BLUEMARK ID, BLUEMARK CLED, PLOTMARK, CMS-P1-PLOTTER, mounting type: snapped, for terminal block width: 10.2 mm, lettering field size: 9.6 x 10.5 mm, Number of individual labels: 48

Panel feed-through terminal block - UW 10-POT/S

3073474

<https://www.phoenixcontact.com/de/produkte/3073474>

Marker for terminal blocks

Marker for terminal blocks - UC-TMF 10 - 0818124

<https://www.phoenixcontact.com/de/produkte/0818124>



Marker for terminal blocks, Sheet, white, unlabeled, can be labeled with: BLUEMARK ID COLOR, BLUEMARK ID, BLUEMARK CLED, PLOTMARK, CMS-P1-PLOTTER, mounting type: snapped, for terminal block width: 10.2 mm, lettering field size: 9.6 x 5.1 mm, Number of individual labels: 48

Marker for terminal blocks

Marker for terminal blocks - TMT 10 R - 0816210

<https://www.phoenixcontact.com/de/produkte/0816210>



Marker for terminal blocks, Roll, white, unlabeled, can be labeled with: THERMOMARK ROLL 2.0, THERMOMARK ROLL, THERMOMARK ROLL X1, THERMOMARK ROLLMASTER 300/600, THERMOMARK X1.2, THERMOMARK S1.1, perforated, mounting type: snapped, snap into flat marker groove, for terminal block width: 10.2 mm, lettering field size: 6.35 x 10.15 mm, Number of individual labels: 10000

Panel feed-through terminal block - UW 10-POT/S

3073474

<https://www.phoenixcontact.com/de/produkte/3073474>

Marker for terminal blocks

Marker for terminal blocks - TMT (EX9,5)R - 0828295

<https://www.phoenixcontact.com/de/produkte/0828295>



Marker for terminal blocks, Roll, white, unlabeled, can be labeled with: THERMOMARK E.300 (D)/600 (D), THERMOMARK ROLL 2.0, THERMOMARK ROLL, THERMOMARK ROLL X1, THERMOMARK ROLLMASTER 300/600, THERMOMARK X1.2, mounting type: snapped, snap into tall marker groove, lettering field size: 9.5 x 50000 mm, Number of individual labels: 1

Screwdriver

Screwdriver - SZS 1,0X4,0 VDE - 1205066

<https://www.phoenixcontact.com/de/produkte/1205066>



Screwdriver, slot-headed, VDE insulated, size: 1.0 x 4.0 x 100 mm, 2-component grip, with non-slip grip

Panel feed-through terminal block - UW 10-POT/S

3073474

<https://www.phoenixcontact.com/de/produkte/3073474>

Spacer plate

Spacer plate - DP-UW 10 - 3074389

<https://www.phoenixcontact.com/de/produkte/3074389>



Partition plate, Spacer plate, color: gray, product range: ZUBEHOER

Flange cover

Flange cover - UW 10-F - 3074525

<https://www.phoenixcontact.com/de/produkte/3074525>



Flange, number of positions: 0

Panel feed-through terminal block - UW 10-POT/S



3073474

<https://www.phoenixcontact.com/de/produkte/3073474>

Sealing plate

Sealing plate - POT-UW 10 - 3074059

<https://www.phoenixcontact.com/de/produkte/3074059>



Mounting material, number of positions: 0

Phoenix Contact 2023 © - all rights reserved

<https://www.phoenixcontact.com>

PHOENIX CONTACT Deutschland GmbH

Flachsmarktstraße 8

D-32825 Blomberg

+49 52 35/3-1 20 00

info@phoenixcontact.de