

Panel feed-through terminal block - UWV 10/S



3073416

<https://www.phoenixcontact.com/de/produkte/3073416>

Please be informed that the data shown in this PDF document is generated from our Online Catalog. Please find the complete data in the user documentation. Our General Terms of Use for Downloads are valid.



Panel feed-through terminal block, connection method: Screw connection with tension sleeve, Screw connection with tension sleeve, number of positions: 1, load current: 57 A, cross section: 0.5 mm² - 16 mm², connection direction of the conductor to plug-in direction: -90 °, width: 10.1 mm

Your advantages

- Well-known connection principle allows worldwide use
- Low temperature rise, thanks to maximum contact force
- Tool-free snap-in principle enables easy mounting on the device panel
- Automatic panel thickness compensation enables universal use

Commercial Data

Item number	3073416
Packing unit	50 pc
Minimum order quantity	50 pc
Sales Key	A1 - Reihenklemmen
Product Key	AA1CDC
Catalog Page	Page 611 (C-1-2013)
GTIN	4046356344722
Weight per Piece (including packing)	21,974 g
Weight per Piece (excluding packing)	18,5 g
Customs tariff number	85369010
Country of origin	CN

Panel feed-through terminal block - UWV 10/S



3073416

<https://www.phoenixcontact.com/de/produkte/3073416>

Technical Data

Product properties

Product type	Panel feed-through terminal block
	UWV 10
Number of positions	1
Pitch	10.1 mm
Number of connections	2
Number of rows	1
Number of potentials	1

Insulation characteristics

Overvoltage category	III
Degree of pollution	3

Electrical properties

Nominal current I_N	57 A
Nominal voltage U_N	320 V
Degree of pollution	3
Rated voltage (III/3)	320 V
Rated surge voltage (III/3)	4 kV

Connection data

Connection technology

Connector system	UW 10
Nominal cross section	10 mm ²

Conductor connection exterior

Connection method	Screw connection with tension sleeve
Connection direction of the conductor to plug-in direction	-90 °
Conductor cross section solid	0.5 mm ² ... 16 mm ²
Conductor cross section flexible	0.5 mm ² ... 10 mm ²
Conductor cross section flexible, with ferrule without plastic sleeve	0.5 mm ² ... 10 mm ²
Conductor cross section, flexible, with ferrule, with plastic sleeve	0.5 mm ² ... 10 mm ²
2 conductors with same cross section, solid	0.5 mm ² ... 4 mm ²
2 conductors with same cross section, flexible	0.5 mm ² ... 4 mm ²
2 conductors with same cross section, flexible, with ferrule without plastic sleeve	0.5 mm ² ... 2.5 mm ²
2 conductors with the same cross section, flexible, with TWIN ferrule with plastic sleeve	0.5 mm ² ... 6 mm ²
Internal cylindrical gage	B6
Stripping length	11 mm
Tightening torque	1.5 Nm ... 1.8 Nm

Panel feed-through terminal block - UWV 10/S



3073416

<https://www.phoenixcontact.com/de/produkte/3073416>

Conductor connection interior

Connection method	Screw connection with tension sleeve
Connection direction of the conductor to plug-in direction	0 °
Conductor cross section solid	0.5 mm ² ... 16 mm ²
Conductor cross section flexible	0.5 mm ² ... 10 mm ²
Conductor cross section flexible, with ferrule without plastic sleeve	0.5 mm ² ... 10 mm ²
Conductor cross section, flexible, with ferrule, with plastic sleeve	0.5 mm ² ... 10 mm ²
2 conductors with same cross section, solid	0.5 mm ² ... 4 mm ²
2 conductors with same cross section, flexible	0.5 mm ² ... 4 mm ²
2 conductors with same cross section, flexible, with ferrule without plastic sleeve	0.5 mm ² ... 2.5 mm ²
2 conductors with the same cross section, flexible, with TWIN ferrule with plastic sleeve	0.5 mm ² ... 6 mm ²
Internal cylindrical gage	B6
Stripping length	11 mm
Tightening torque	1.5 Nm ... 1.8 Nm

Mounting

Plate thickness	1 mm ... 4 mm
-----------------	---------------

Material specifications

Material data - contact

Note	WEEE/RoHS-compliant, free of whiskers according to IEC 60068-2-82/JEDEC JESD 201
Contact material	Cu alloy
Surface characteristics	tin-plated

Material data - housing

Color (Housing)	gray (7042)
Insulating material	PA
Insulating material group	I
CTI according to IEC 60112	600
Flammability rating according to UL 94	V0
Glow wire flammability index GWFI according to EN 60695-2-12	850
Glow wire ignition temperature GWIT according to EN 60695-2-13	775
Temperature for the ball pressure test according to EN 60695-10-2	125 °C

Material data – actuating element

Color ()	()
----------	----

Notes

Safety note

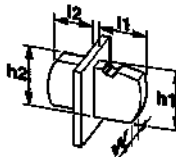
Panel feed-through terminal block - UWV 10/S

3073416

<https://www.phoenixcontact.com/de/produkte/3073416>

Safety note	<ul style="list-style-type: none"> • Only electrically qualified personnel may install and operate the product. To recognize and prevent danger, the qualified personnel must be familiar with the basics of electrical engineering.
	<ul style="list-style-type: none"> • Observe the technical data provided here and refer to the documents listed under "Downloads". The download area contains important information, such as installation notes, technical drawings, and 3D data.
	<ul style="list-style-type: none"> • The cable entry funnel is not safe to touch. Never connect or disconnect the terminal when it is energized. Take appropriate steps to ensure touch protection.

Dimensions

Dimensional drawing	
Pitch	10.1 mm
Width [w]	10.1 mm

External dimensions

Width [w]	10.1 mm
Height [h1]	33 mm
Length [l1]	32 mm

Internal dimensions

Width [w]	10.1 mm
Height [h2]	29 mm
Length [l2]	23.5 mm

Mechanical tests

Test for conductor damage and slackening

Specification	IEC 60947-7-1:2009-04
Result	Test passed

Pull-out test

Specification	IEC 60947-7-1:2009-04
Conductor cross section/conductor type/tractive force setpoint/actual value	0.5 mm ² / solid / > 20 N
	0.5 mm ² / flexible / > 20 N
	16 mm ² / stranded / > 100 N
	10 mm ² / flexible / > 90 N

Electrical tests

Temperature-rise test

Specification	IEC 60947-7-1:2009-04
---------------	-----------------------

Panel feed-through terminal block - UWV 10/S



3073416

<https://www.phoenixcontact.com/de/produkte/3073416>

Requirement temperature-rise test	Increase in temperature ≤ 45 K
-----------------------------------	-------------------------------------

Short-time withstand current

Specification	IEC 60947-7-1:2009-04
---------------	-----------------------

Air clearances and creepage distances | 1. Insulation coordination

Application	without spacer plate
Specification	IEC 60947-7-1:2009-04
Insulating material group	I
Comparative tracking index (IEC 60112)	CTI 600
Rated insulation voltage (III/3)	320 V
Rated surge voltage (III/3)	4 kV
minimum clearance value - non-homogenous field (III/3)	3 mm
minimum creepage distance (III/3)	4 mm

Air clearances and creepage distances | 2. Insulation coordination

Application	with spacer plate
Specification	IEC 60947-7-1:2009-04
Insulating material group	I
Comparative tracking index (IEC 60112)	CTI 600
Rated insulation voltage (III/3)	500 V
Rated surge voltage (III/3)	6 kV
minimum clearance value - non-homogenous field (III/3)	5.5 mm
minimum creepage distance (III/3)	6.3 mm

Environmental and real-life conditions

Glow-wire test

Specification	IEC 60695-2-11:2000-10
Temperature	960 °C
Time of exposure	30 s

Ambient conditions

Ambient temperature (operation)	-40 °C ... 100 °C (Depending on the current carrying capacity/derating curve)
Ambient temperature (storage/transport)	-40 °C ... 70 °C
Relative humidity (storage/transport)	30 % ... 70 %
Ambient temperature (assembly)	-5 °C ... 100 °C

Packaging specifications

Type of packaging	packed in cardboard
-------------------	---------------------

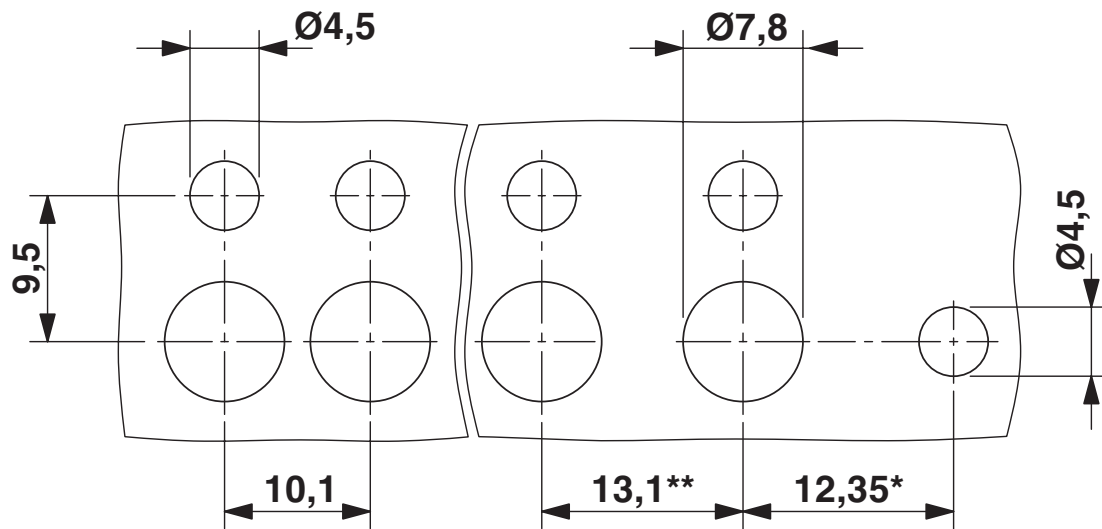
Panel feed-through terminal block - UWV 10/S

3073416

<https://www.phoenixcontact.com/de/produkte/3073416>

Drawings

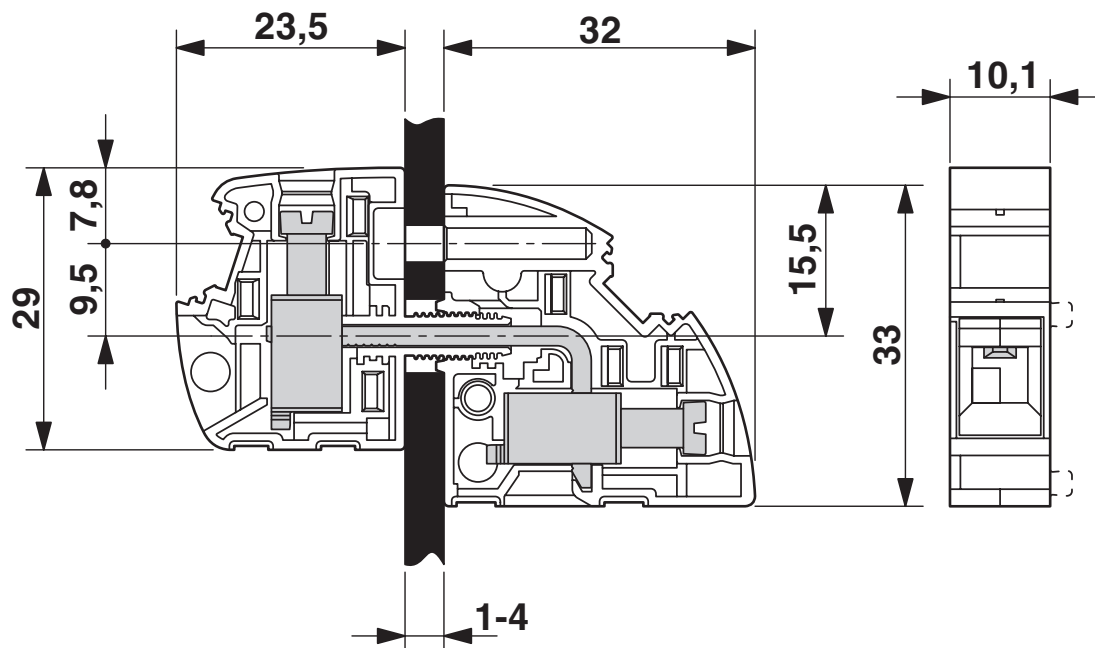
Dimensional drawing



* Only when using the UW...-F flange plate

** Dimensions when using the DP-UW... spacer plate

Dimensional drawing




Panel feed-through terminal block - UWV 10/S





3073416

<https://www.phoenixcontact.com/de/produkte/3073416>

Approvals

 CSA Approval ID: 13631				
	Nominal Voltage U_N	Nominal Current I_N	Cross Section AWG	Cross Section mm^2
Use group B	300 V	65 A	20 - 6	-
Use group C	300 V	65 A	20 - 6	-
Use group D	600 V	65 A	20 - 6	-

 EAC Approval ID: B.01687				
--	--	--	--	--

 cULus Recognized Approval ID: E60425-20100423				
	Nominal Voltage U_N	Nominal Current I_N	Cross Section AWG	Cross Section mm^2
Use group B	300 V	65 A	20 - 6	-
Use group C	300 V	65 A	20 - 6	-
Use group D	600 V	5 A	20 - 6	-

Panel feed-through terminal block - UWV 10/S



3073416

<https://www.phoenixcontact.com/de/produkte/3073416>

Classifications

ECLASS

ECLASS-9.0	27141134
ECLASS-10.0.1	27141134
ECLASS-11.0	27141134

ETIM

ETIM 8.0	EC001283
----------	----------

UNSPSC

UNSPSC 21.0	39121400
-------------	----------

Panel feed-through terminal block - UWV 10/S



3073416

<https://www.phoenixcontact.com/de/produkte/3073416>

Environmental Product Compliance


China RoHS	Environmentally friendly use period: unlimited = EFUP-e
	No hazardous substances above threshold values

Panel feed-through terminal block - UWV 10/S

3073416

<https://www.phoenixcontact.com/de/produkte/3073416>

Accessories

 Note: Applying some accessories below might limit this product.


Insertion bridge

Insertion bridge - EB 2-10 - 0203153

<https://www.phoenixcontact.com/de/produkte/0203153>

Insertion bridge, pitch: 10 mm, color: gray



 Max. current carrying capacity: 70 A

Insertion bridge

Insertion bridge - EB 3-10 - 0203328

<https://www.phoenixcontact.com/de/produkte/0203328>

Insertion bridge, pitch: 10 mm, color: gray



 Max. current carrying capacity: 70 A

Panel feed-through terminal block - UWV 10/S

3073416

<https://www.phoenixcontact.com/de/produkte/3073416>


Insertion bridge

Insertion bridge - EB 10-10 - 0203137

<https://www.phoenixcontact.com/de/produkte/0203137>

Insertion bridge, pitch: 10 mm, color: gray



 Max. current carrying capacity: 70 A

Zack marker strip

Zack marker strip - ZB 10:UNBEDRUCKT - 1053001

<https://www.phoenixcontact.com/de/produkte/1053001>



Zack marker strip, Strip, white, unlabeled, can be labeled with: PLOTMARK, CMS-P1-PLOTTER, mounting type: snapped, for terminal block width: 10.2 mm, lettering field size: 10.5 mm x 10.15 mm, Number of individual labels: 10

Panel feed-through terminal block - UWV 10/S

3073416

<https://www.phoenixcontact.com/de/produkte/3073416>

Zack Marker strip, flat

Zack Marker strip, flat - ZBF10:UNBEDRUCKT - 0809997

<https://www.phoenixcontact.com/de/produkte/0809997>



Zack Marker strip, flat, Strip, white, unlabeled, can be labeled with: CMS-P1-PLOTTER, PLOTMARK, mounting type: snapped, for terminal block width: 10 mm, lettering field size: 5.15 x 10 mm, Number of individual labels: 10

Marker for terminal blocks

Marker for terminal blocks - UC-TM 10 - 0818069

<https://www.phoenixcontact.com/de/produkte/0818069>



Marker for terminal blocks, Sheet, white, unlabeled, can be labeled with: BLUEMARK ID COLOR, BLUEMARK ID, BLUEMARK CLED, PLOTMARK, CMS-P1-PLOTTER, mounting type: snapped, for terminal block width: 10.2 mm, lettering field size: 9.6 x 10.5 mm, Number of individual labels: 48

Panel feed-through terminal block - UWV 10/S

3073416

<https://www.phoenixcontact.com/de/produkte/3073416>

Marker for terminal blocks

Marker for terminal blocks - UC-TMF 10 - 0818124

<https://www.phoenixcontact.com/de/produkte/0818124>



Marker for terminal blocks, Sheet, white, unlabeled, can be labeled with: BLUEMARK ID COLOR, BLUEMARK ID, BLUEMARK CLED, PLOTMARK, CMS-P1-PLOTTER, mounting type: snapped, for terminal block width: 10.2 mm, lettering field size: 9.6 x 5.1 mm, Number of individual labels: 48

Marker for terminal blocks

Marker for terminal blocks - TMT 10 R - 0816210

<https://www.phoenixcontact.com/de/produkte/0816210>



Marker for terminal blocks, Roll, white, unlabeled, can be labeled with: THERMOMARK ROLL 2.0, THERMOMARK ROLL, THERMOMARK ROLL X1, THERMOMARK ROLLMASTER 300/600, THERMOMARK X1.2, THERMOMARK S1.1, perforated, mounting type: snapped, snap into flat marker groove, for terminal block width: 10.2 mm, lettering field size: 6.35 x 10.15 mm, Number of individual labels: 10000

Panel feed-through terminal block - UWV 10/S

3073416

<https://www.phoenixcontact.com/de/produkte/3073416>

Marker for terminal blocks

Marker for terminal blocks - TMT (EX9,5)R - 0828295

<https://www.phoenixcontact.com/de/produkte/0828295>



Marker for terminal blocks, Roll, white, unlabeled, can be labeled with: THERMOMARK E.300 (D)/600 (D), THERMOMARK ROLL 2.0, THERMOMARK ROLL, THERMOMARK ROLL X1, THERMOMARK ROLLMASTER 300/600, THERMOMARK X1.2, mounting type: snapped, snap into tall marker groove, lettering field size: 9.5 x 50000 mm, Number of individual labels: 1

Screwdriver

Screwdriver - SZS 1,0X4,0 VDE - 1205066

<https://www.phoenixcontact.com/de/produkte/1205066>



Screwdriver, slot-headed, VDE insulated, size: 1.0 x 4.0 x 100 mm, 2-component grip, with non-slip grip

Panel feed-through terminal block - UWV 10/S

3073416

<https://www.phoenixcontact.com/de/produkte/3073416>

Spacer plate

Spacer plate - DP-UWV 10 - 3074415

<https://www.phoenixcontact.com/de/produkte/3074415>

Partition plate, Spacer plate, color: gray, product range: ZUBEHOER



Flange cover

Flange cover - UWV 10-F - 3074606

<https://www.phoenixcontact.com/de/produkte/3074606>

Flange, number of positions: 0



Panel feed-through terminal block - UWV 10/S



3073416

<https://www.phoenixcontact.com/de/produkte/3073416>

Sealing plate

Sealing plate - POT-UW 10 - 3074059

<https://www.phoenixcontact.com/de/produkte/3074059>



Mounting material, number of positions: 0

Phoenix Contact 2023 © - all rights reserved

<https://www.phoenixcontact.com>

PHOENIX CONTACT Deutschland GmbH

Flachsmarktstraße 8

D-32825 Blomberg

+49 52 35/3-1 20 00

info@phoenixcontact.de