

PLEASE CHECK WWW.MOLEX.COM FOR LATEST PART INFORMATION

Part Number: [30700-1245](#)
Status: **Active**
Overview: H-DAC 64™ Dual-Row High Density Automotive Connectors
Description: 2.54mm, 3.50mm Pitch, H-DAC 64™ Hybrid Female Harness Assembly, 24 Circuits, Polarization Option B without Bridge, Black

Documents:

[3D Model](#) [Application Specification AS-30700-000 \(PDF\)](#)
[Drawing \(PDF\)](#) [RoHS Certificate of Compliance \(PDF\)](#)
[Product Specification PS-30968-024 \(PDF\)](#)

General

Product Family	Crimp Housings
Series	30700
Application	Power, Wire-to-Wire
Comments	Polarization Option B
Overview	H-DAC 64™ Dual-Row High Density Automotive Connectors
Product Name	H-DAC 64™
UPC	822348728824

Physical

Circuits (maximum)	24
Color - Resin	Black
Gender	Female
Glow-Wire Compliant	No
Lock to Mating Part	Yes
Material - Resin	High Performance Thermoplastic
Net Weight	13.050/g
Number of Rows	2
Packaging Type	Bag
Panel Mount	No
Pitch - Mating Interface	2.54mm, 3.50mm
Polarized to Mating Part	Yes
Stackable	No
Temperature Range - Operating	-40°C to +100°C

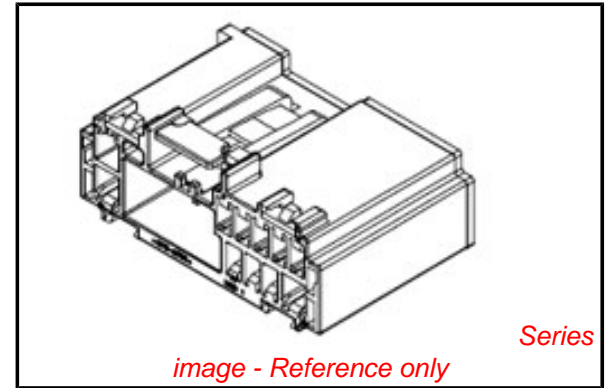
Electrical

Current - Maximum per Contact	7A
-------------------------------	----

Material Info

Reference - Drawing Numbers

Application Specification	AS-30700-000
Product Specification	PS-30968-024
Sales Drawing	SD-30700-124



EU RoHS

ELV and RoHS Compliant

REACH SVHC

Not Reviewed

Low-Halogen Status

Not Reviewed

China RoHS



Need more information on product environmental compliance?

Email productcompliance@molex.com
 For a multiple part number RoHS Certificate of Compliance, [click here](#)

Please visit the [Contact Us](#) section for any non-product compliance questions.

Search Parts in this Series

[30700Series](#)

Mates With

[30700 Header](#), [30968 Crimp Housing](#)

Use With

[34230 Terminal](#)