

# Connection terminal block - AKG 4 YE



3062948

<https://www.phoenixcontact.com/de/produkte/3062948>

Please be informed that the data shown in this PDF document is generated from our Online Catalog. Please find the complete data in the user documentation. Our General Terms of Use for Downloads are valid.



Connection terminal block, nom. voltage: 300 V, nominal current: 41 A, connection method: Screw connection, Rated cross section: 4 mm<sup>2</sup>, cross section: 0.5 mm<sup>2</sup> - 6 mm<sup>2</sup>, mounting: Neutral busbar, color: yellow

## Commercial Data

Item number	3062948
Packing unit	50 pc
Minimum order quantity	50 pc
Sales Key	A1 - Reihenklemmen
Product Key	BE7331
Catalog Page	Page 554 (C-3-2019)
GTIN	4046356558341
Weight per Piece (including packing)	5,538 g
Weight per Piece (excluding packing)	5,469 g
Customs tariff number	85369010
Country of origin	DE

# Connection terminal block - AKG 4 YE



3062948

<https://www.phoenixcontact.com/de/produkte/3062948>

## Technical Data

### Product properties

Product type	Installation terminal block
Number of connections	1
Number of rows	1

### Electrical properties

Maximum load current	41 A
Maximum power dissipation for nominal condition	1.02 W
Nominal current $I_N$	32 A
Current carrying capacity of the neutral busbar	140 A

### Connection data

Nominal cross section	4 mm <sup>2</sup>
Maximum load current	41 A

#### Level 1 above 1 below 1

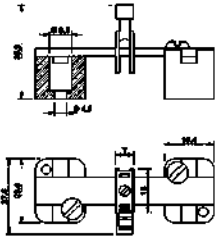
Screw thread	M4
Tightening torque	1.5 ... 1.8 Nm
Stripping length	16 mm
Conductor cross section solid	0.5 mm <sup>2</sup> ... 6 mm <sup>2</sup>
Cross section AWG	20 ... 10 (converted acc. to IEC)
Conductor cross section flexible	0.5 mm <sup>2</sup> ... 4 mm <sup>2</sup>
Conductor cross section, flexible [AWG]	20 ... 12 (converted acc. to IEC)
Flexible conductor cross section flexible (ferrule, w/o plastic sleeve)	0.5 mm <sup>2</sup> ... 6 mm <sup>2</sup>
Flexible conductor cross section (ferrule with plastic sleeve)	0.5 mm <sup>2</sup> ... 6 mm <sup>2</sup>
2 conductors with same cross section, solid	0.5 mm <sup>2</sup> ... 2.5 mm <sup>2</sup>
2 conductors with same cross section, flexible	0.5 mm <sup>2</sup> ... 2.5 mm <sup>2</sup>
2 conductors with same cross section, flexible, with ferrule without plastic sleeve	0.5 mm <sup>2</sup> ... 2.5 mm <sup>2</sup>
2 conductors with the same cross section, flexible, with TWIN ferrule with plastic sleeve	0.5 mm <sup>2</sup> ... 2.5 mm <sup>2</sup>
Nominal current	41 A
Maximum load current	41 A (with 6 mm <sup>2</sup> conductor cross section)
Nominal voltage	300 V
Nominal cross section	4 mm <sup>2</sup>

### Dimensions

# Connection terminal block - AKG 4 YE

3062948

<https://www.phoenixcontact.com/de/produkte/3062948>

Dimensional drawing	
Width	7 mm
Height	23.6 mm
Length	23.7 mm

## Material specifications

Color	yellow
Flammability rating according to UL 94	V2
Insulating material	PA
Temperature index of insulation material (DIN EN 60216-1 (VDE 0304-21))	125 °C
Relative insulation material temperature index (Elec., UL 746 B)	125 °C
Fire protection for rail vehicles (DIN EN 45545-2) R22	HL 1 - HL 2
Fire protection for rail vehicles (DIN EN 45545-2) R23	HL 1 - HL 2
Fire protection for rail vehicles (DIN EN 45545-2) R24	HL 1 - HL 2

## Electrical tests

### Temperature-rise test

Requirement temperature-rise test	Increase in temperature $\leq 45$ K
Result	Test passed
Result	Test passed

## Environmental and real-life conditions

### Ambient conditions

Ambient temperature (operation)	-60 °C ... 105 °C (max. short-term operating temperature RTI Elec.)
Ambient temperature (storage/transport)	-25 °C ... 60 °C (for a short time, not exceeding 24 h, -60 °C to +70 °C)
Ambient temperature (assembly)	-5 °C ... 70 °C
Ambient temperature (actuation)	-5 °C ... 70 °C
Permissible humidity (storage/transport)	30 % ... 70 %

## Mounting

Mounting type	Neutral busbar
---------------	----------------

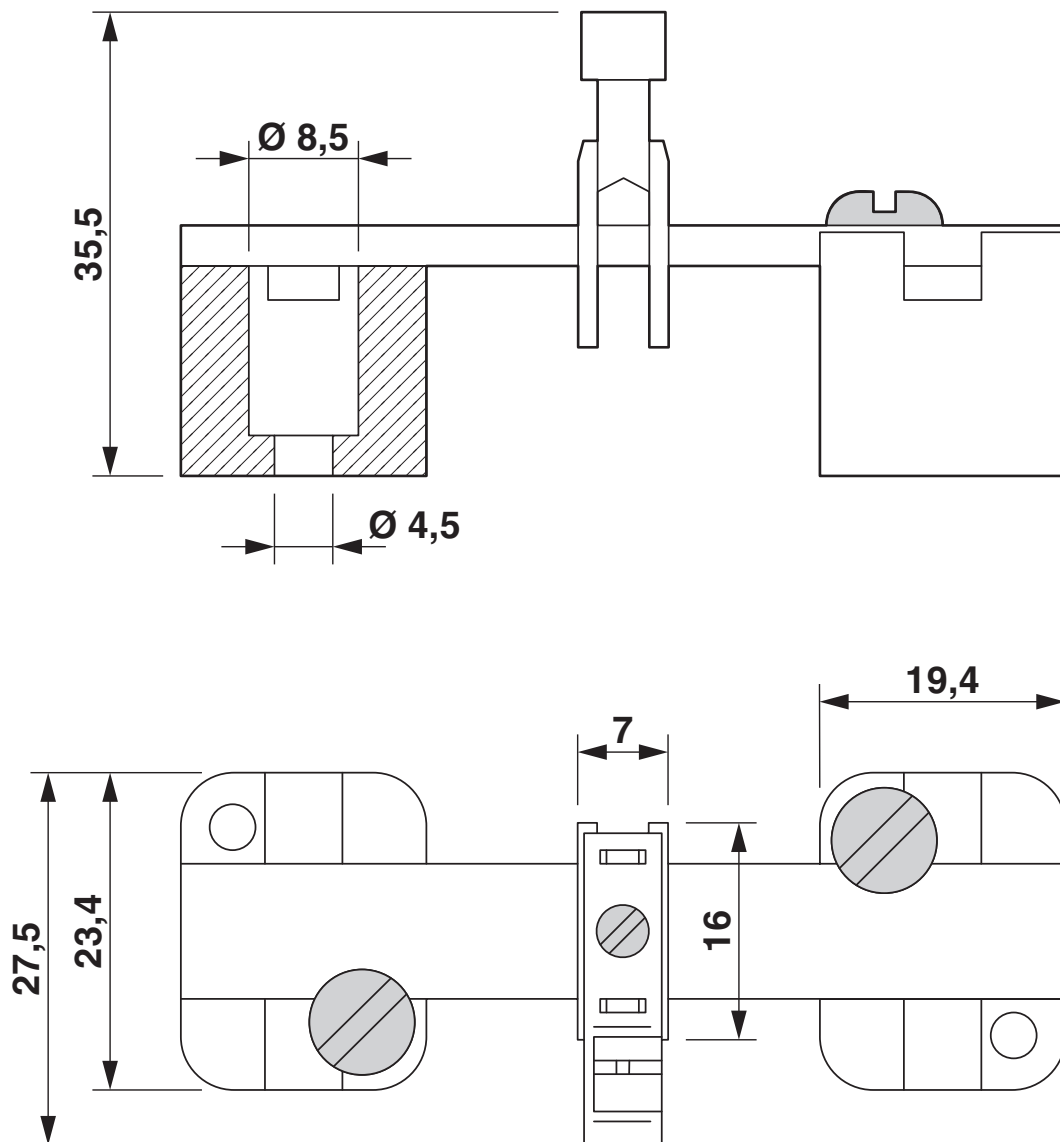
# Connection terminal block - AKG 4 YE

3062948

<https://www.phoenixcontact.com/de/produkte/3062948>

## Drawings

Dimensional drawing



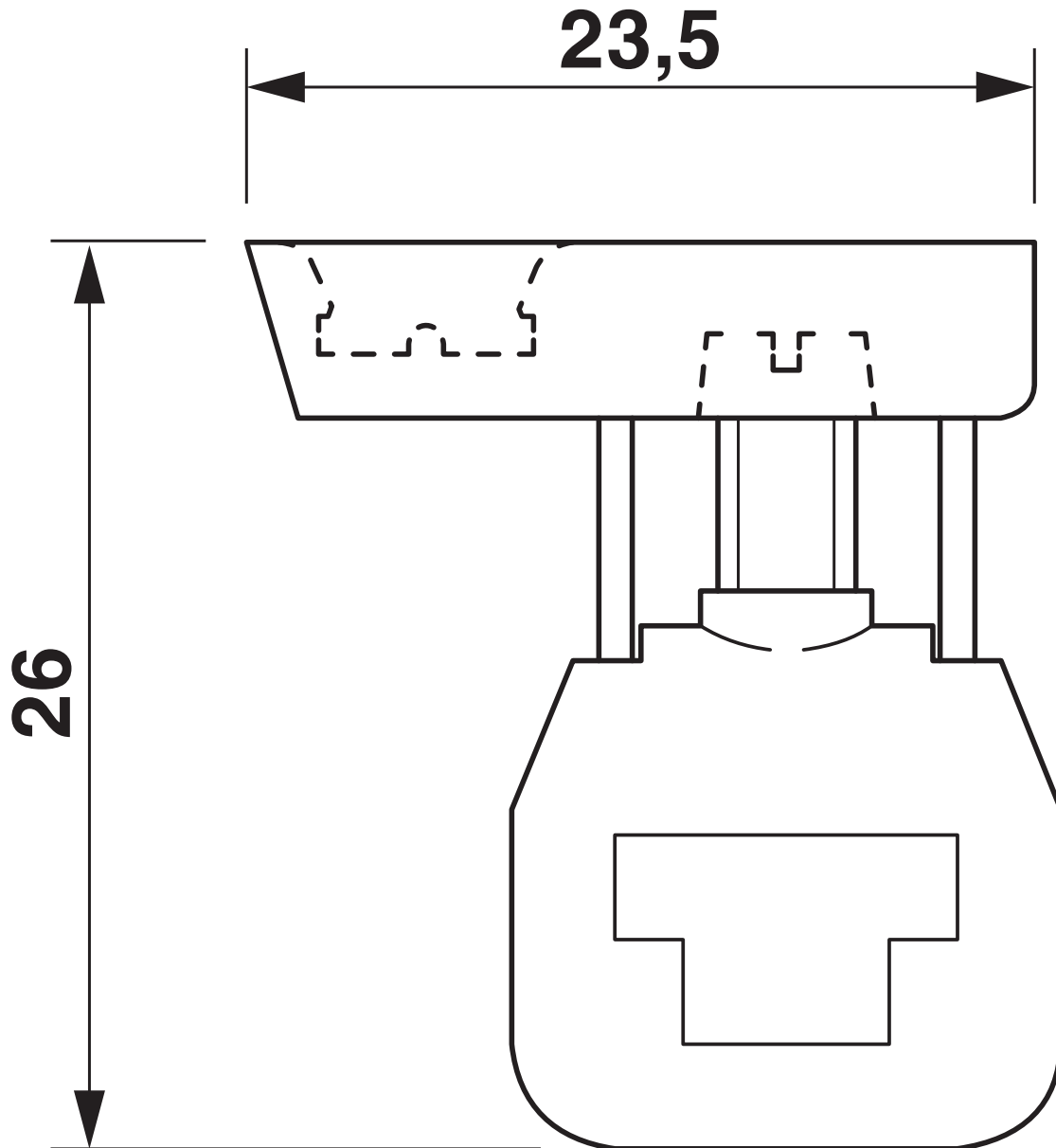
# Connection terminal block - AKG 4 YE



3062948

<https://www.phoenixcontact.com/de/produkte/3062948>

Dimensional drawing



# Connection terminal block - AKG 4 YE





3062948

<https://www.phoenixcontact.com/de/produkte/3062948>

## Approvals

 <b>CSA</b> Approval ID: 13631				
	Nominal Voltage $U_N$	Nominal Current $I_N$	Cross Section AWG	Cross Section $\text{mm}^2$
		20 A	22 - 12	-

 <b>EAC</b> Approval ID: RU C-DE.AI30.B.01102				
---	--	--	--	--

 <b>cULus Recognized</b> Approval ID: E60425				
	Nominal Voltage $U_N$	Nominal Current $I_N$	Cross Section AWG	Cross Section $\text{mm}^2$
Use group B				
Field wiring		20 A	22 - 12	-
Factory wiring		30 A	- 10	-
Use group C				
Field wiring		20 A	22 - 12	-
Factory wiring		30 A	- 10	-
Use group F				
Field wiring		20 A	22 - 12	-
Factory wiring		30 A	- 10	-

 <b>EAC</b> Approval ID: RU C-DE.BL08.B.00534				
---	--	--	--	--

# Connection terminal block - AKG 4 YE



3062948

<https://www.phoenixcontact.com/de/produkte/3062948>

## Classifications

### ECLASS

ECLASS-10.0.1	27141146
ECLASS-9.0	27141146
ECLASS-11.0	27141146

### ETIM

ETIM 8.0	EC000001
----------	----------

### UNSPSC

UNSPSC 21.0	31162900
-------------	----------

# Connection terminal block - AKG 4 YE



3062948

<https://www.phoenixcontact.com/de/produkte/3062948>

## Environmental Product Compliance

China RoHS	Environmentally friendly use period: unlimited = EFUP-e No hazardous substances above threshold values
------------	---

Phoenix Contact 2023 © - all rights reserved  
<https://www.phoenixcontact.com>

PHOENIX CONTACT Deutschland GmbH  
Flachmarktstraße 8  
D-32825 Blomberg  
+49 52 35/3-1 20 00  
[info@phoenixcontact.de](mailto:info@phoenixcontact.de)