

# BNC SERIES CONNECTORS

## 50 ohm 0-4GHz/75 ohm 0-1GHz

BNC coaxial connectors are miniature, light-weight and can operate satisfactorily up to 11 GHz.

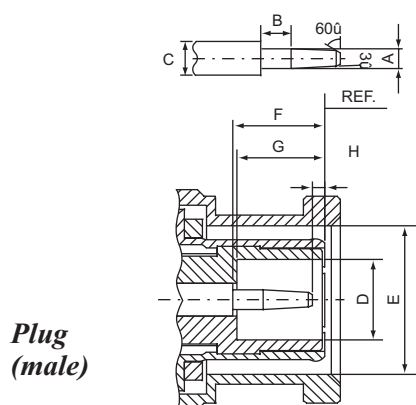
The connector is typically used in applications from DC to 4 GHz and yield low reflection in this frequency range.

They're one of the world's popular RF connectors.

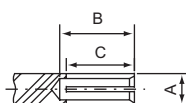
They are prevalent in computer networks, audio, video, data processing and telecommunications equipment because of their size and relatively low installed cost. and cable terminations are available in crimp, clamp, solder and jacket quick twist configurations.

The two-stud bayonet lock coupling provides ease of connecting and disconnecting and is ideally suited for applications such as test equipment where this feature is notably significant.

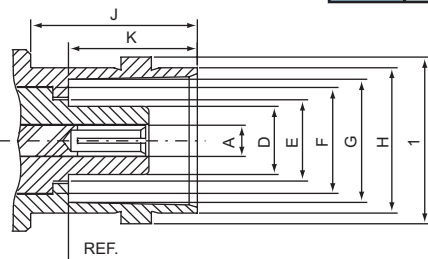
## Interface Dimensions:



Plug  
(male)



Jack  
(female)

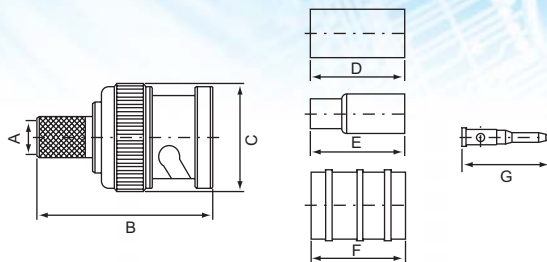


	Plug		Jack	
	min.	max.	min.	max.
A	1.32/.052	1.37/.054	2.06/.081	2.21/.087
B	1.98/.078	-	4.95/.195	-
C	2.06/.081	2.21/.087	4.70/.185	-
D	4.83/.190	-	-	4.72/.186
E	9.78/.385	9.91/.390	8.10/.319	8.15/.321
F	5.33/.210	5.84/.230	9.60/.378	9.70/.382
G	5.28/.208	5.79/.228	10.97/.432	11.07/.436
H	0.08/.003	-	10.52/.414	-
I	-	-	8.31/.327	8.51/.335
J	-	-	4.72/.186	5.23/.206

## Electrical:

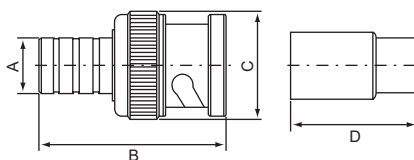
Impedance	50 ohm	75ohm
Frequency Range	0 to 4.0 GHz	0 to 1GHz
VSWR	Straight: 1.3max ; Right angle: 1.35max	
Insertion Loss	0.2dB max @ 3GHz	

**BNC MALE, Crimp type**  
**B-111**



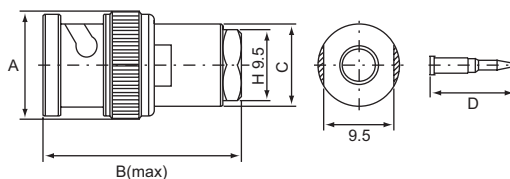
PART NO.	$\Omega$	CABLE TYPE	A	B	C	D	E	F	G
B-111	50,75	2.5C-2V	2.7	23.7	14.5	12.7	/	/	11.8
B-111-124	50,75	RG124U	4.8	23.7	14.5	/	/	12.7	11.8
B-111A	50,75	RG6U5.1	23.7	14.5	12.7	/	/	11.8	/
B-111B	50,75	RG8U(213U)	7.4	26.7	14.5	13.5	/	/	11.8
B-111F	50,75	RG58U3.2	23.7	14.5	12.7	/	/	11.8	/
B-111G	50,75	RG59U4.1	23.7	14.5	12.7	/	/	11.8	/
B111L	50,75	RG174U(316U)	2.7	23.7	14.5	/	12.7	/	11.2
B-111L-1	50,75	RG174U(316U)	1.7	23.7	14.5	9.5	/	/	11.8
B-111M	50,75	RG178U	2.7	23.7	14.5	/	12.7	/	4.9
B-111N	50,75	RG179U	2.7	23.7	14.5	/	12.7	/	11.8
B-111U	50,75	BT3002	3.2	23.7	14.5	/	12.4	/	11.8
B-111-H155	50,75	H155 4.5	23.7	14.5	12.7	/	/	11.8	/
B-111-H155-1	50,75	H155 4.2	23.7	14.5	12.7	/	/	11.8	/

**BNC MALE, Crimp type**  
**Two-pieces type**  
**B-111/2PCS**



PART NO.	$\Omega$	CABLE TYPE	A	B	C	D
B-111A/2PCS	50,75	RG6U	7.5	25.2	14.5	17
B-111F/2PCS		RG58U				
B-111G/2PCS		RG59U				

**BNC MALE, Screw-on type**  
**B-112**



PART NO.	$\Omega$	CABLE TYPE	A	B	C	D
B-112A	50,75	RG6U	14.5	26.7	11	11.5
B-112F		RG58U				
B-112G		RG59U				
B-112L		RG174U				