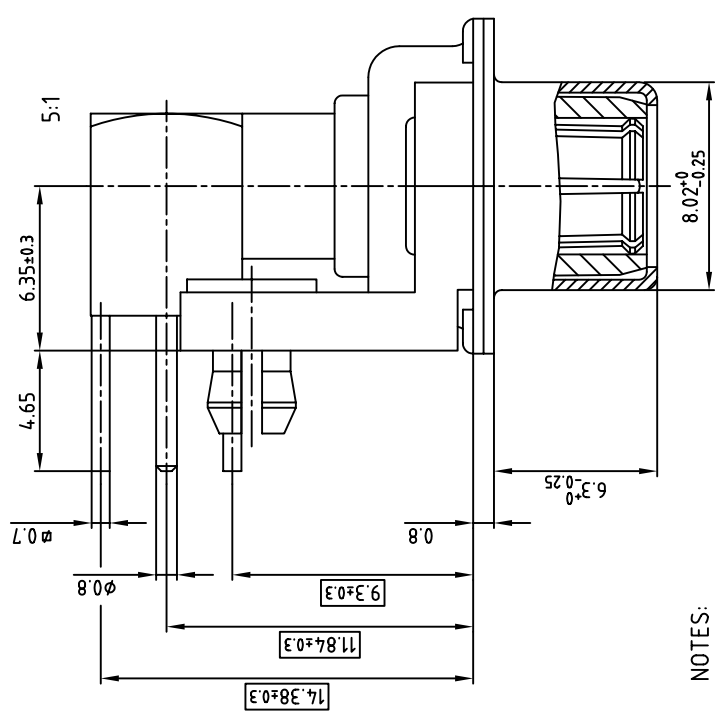
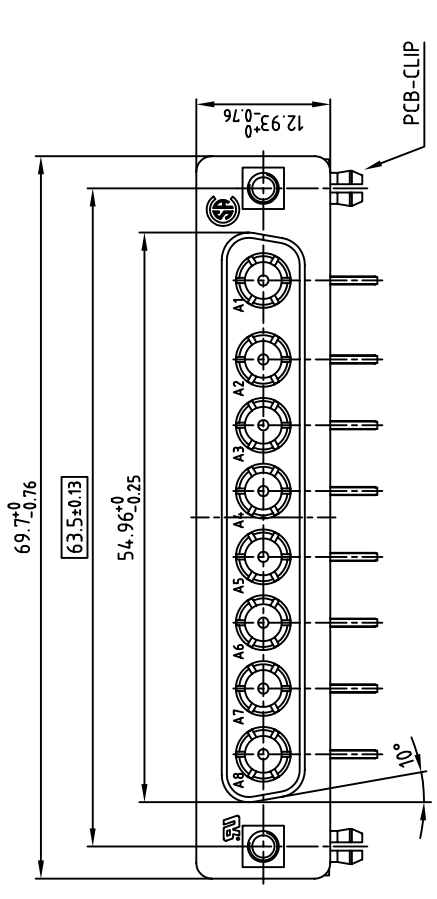
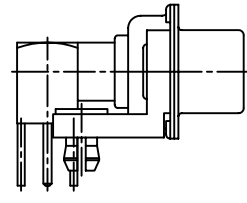


used for: D-SUB COMBINATION

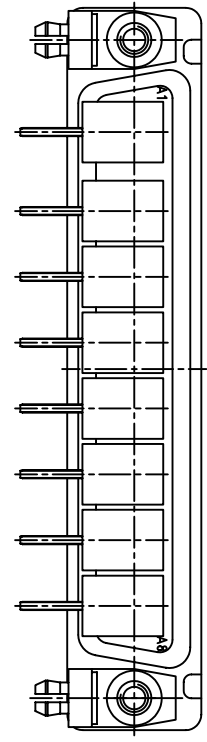
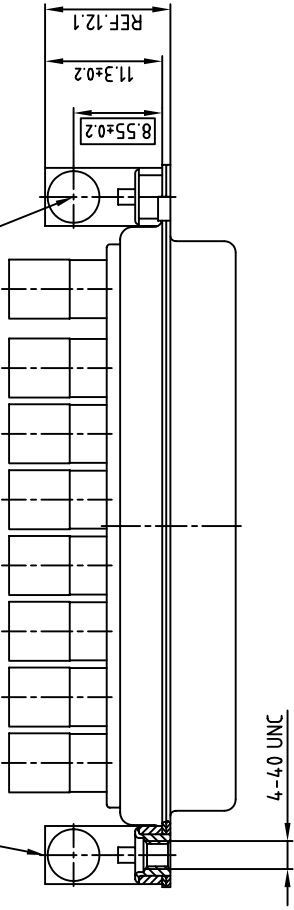


NOTES:

1. METALSHELLS: STEEL, min. 320µ" TIN
2. INSULATORS: PBT GF UL 94 V-0, GREEN
3. COAXIAL CONTACTS 50 OHM: COPPER ALLOY
4. PLATING: INNER CONDUCTOR: min. 50µ" HARD GOLD OVER min. 50µ" NICKEL  
OUTER CONDUCTOR: min. 30µ" HARD GOLD OVER min. 50µ" NICKEL
5. METAL BRACKET: STEEL; min. 320µ" TIN over 80µ" NICKEL
6. THREADED INSERT: COPPER ALLOY; min. 200µ" TIN over 80µ" NICKEL
7. PCB-SNAP: COPPER ALLOY; min. 200µ" TIN over 80µ" NICKEL  
PCB-HOLE:  $\phi 3.1 \pm 0.1$ ; PCB THICKNESS 1.6mm
8. P.C.B. HOLE DRILLINGS ON SHEET 2
9. MAXIMUM TORQUE VALUE FOR THREAD: 6" LBS
10.   = CRITICAL DIMENSION: SPC



METAL BRACKET  
PRESS FOR FIXING ON PCB



THIS DRAWING MAY NOT BE COPIED OR REPRODUCED IN ANY WAY, AND MAY NOT BE PASSED ON TO A THIRD PARTY WITHOUT WRITTEN PERMISSION.  
OWNERSHIP AND COPYRIGHT OF CONEC GMBH  
DO NOT ALTER CAD DRAWING BY HAND

rev.	description	date	name

tolerance	scale	material
	2:1 (5:1)	SEE NOTES

title:
D-SUB COMBINATION FEMALE 90° 8W85

name	date	date	date
Parrel	27.08.	27.08.	
E. Mickenbecker			

dwg no:	dIN-A	sh:1/2
13K1A328A		3
part no: 3008W8SXX78N40X		

