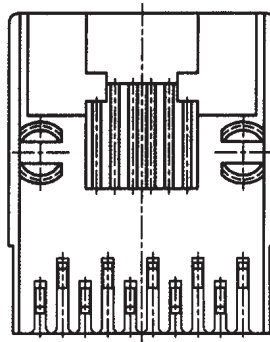
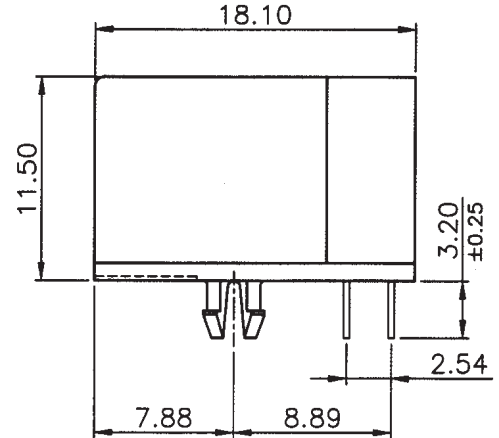
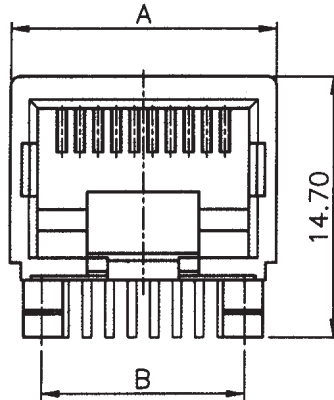
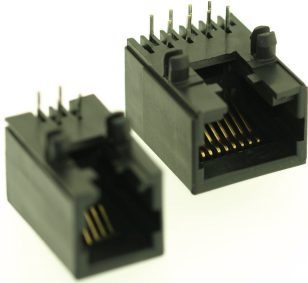
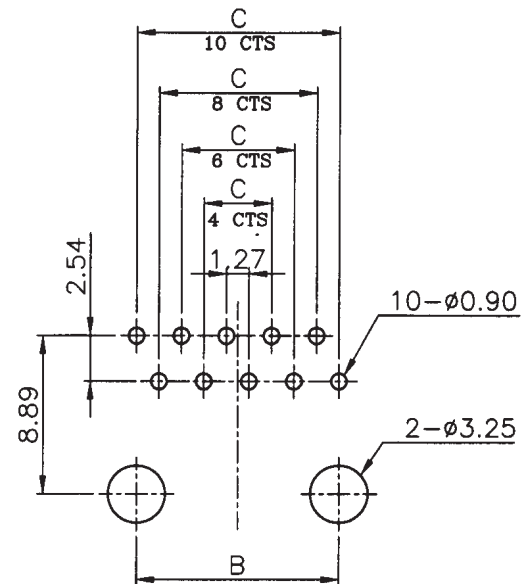


Right Angle Modular Low Profile PCB Jacks 3004-xxx Series

Through Board unshielded type - RoHS Compliant (NOT Hi-Temp Solderable) - Available Keyed or Non-keyed



No. of Positions	Dimensions		
	A	B	C
4	11.21	7.62	3.81
6	12.96	10.16	6.35
8	15.00	11.43	8.89
10	15.00	11.43	11.43



PCB LAYOUT/TOP VIEW

Ordering Information:

3004 - 4 4 2 1

1 2 3 4

Option 1	No. of Positions	4, 6, 8 & 10
Option 2	No. of Contacts	2, 4, 6, 8 & 10
Option 3	Key Type	1 = With Key 2 = Without Key
Option 4	Plating	1 = Selective Gold 2 = Heavy Gold (15u")*

Specification:

Contact material:
Contact plating:

Shield material:
Housing:
Insert Colour:

Phosphor Bronze
6 micron (u") Option 4 no 1
selective gold plated (standard)
Copper alloy / Ni plated
Thermoplastic UL94V-0 rated
Black

*Please note that some options may be subject to a minimum order quantity -

Please check online @ www.toby.co.uk for current stock items

Tel: 01295 271777 Fax: 01295 271744 Web: www.toby.co.uk email: sales@toby.co.uk