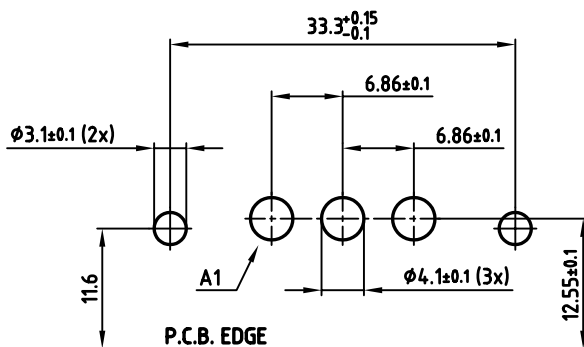
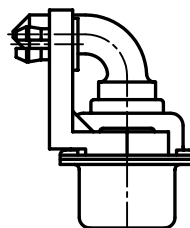
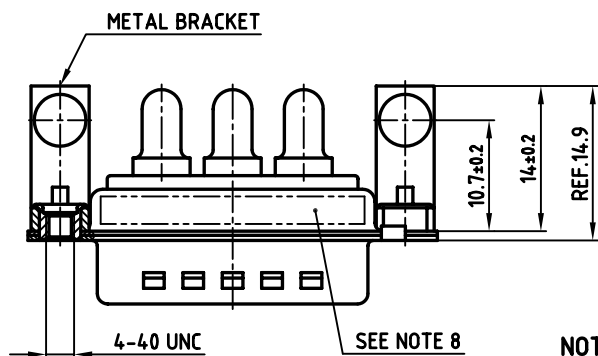
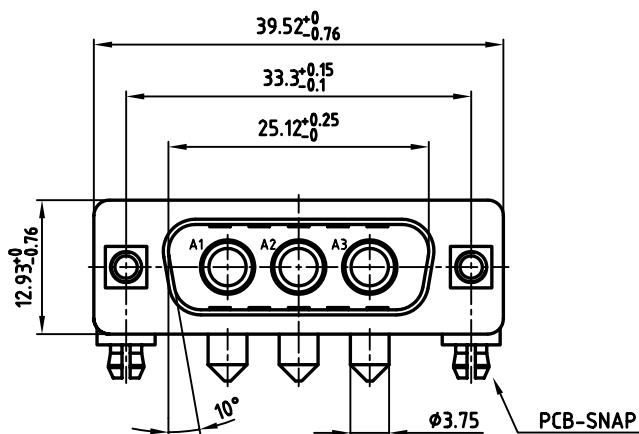
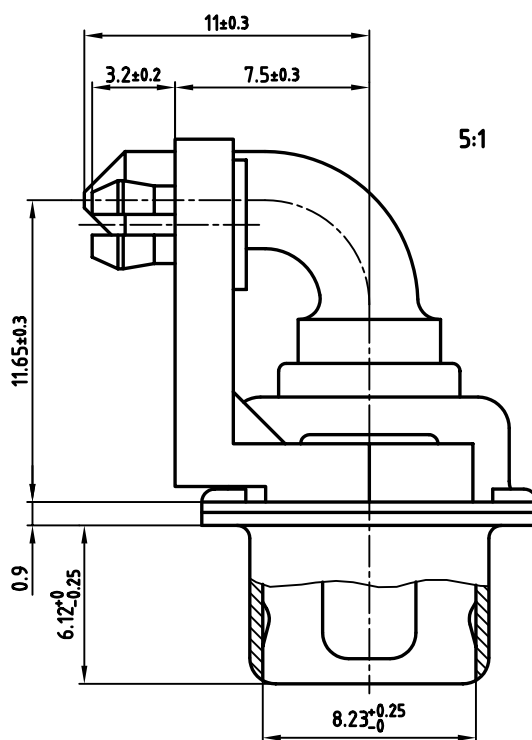


used for: D-SUB COMBINATION



P.C.B.-HOLE DRILLINGS



**NOTES:**

1. METALSHELLS: STEEL; min. 315µ" TIN over 40-80µ" NICKEL
2. INSULATORS: PBT GF UL 94 V-0, GREEN
3. HIGH POWER CONTACTS 40A: COPPER ALLOY  
PLATING MATING AREA: 30µ" HARD GOLD OVER min. 50µ" NICKEL  
PLATING TERMINATION SIDE: 160-240µ" TIN OVER 80µ" NICKEL
4. METAL BRACKET: ZINC DIE CAST; 30µ" COPPER/40-120µ" NICKEL/120-200µ" TIN
5. THREADED INSERT: COPPER ALLOY; min. 200µ" TIN over 80µ" NICKEL
6. PCB-SNAP: COPPER ALLOY; min. 200µ" TIN over 80µ" NICKEL  
PCB-HOLE:  $\phi 3.1 \pm 0.1$ ; PCB THICKNESS 1.6mm
7. MAXIMUM TORQUE VALUE FOR THREAD: 6" LBS
8. CONNECTOR IS PART MARKED: 3003W3PXX58G40X CONEC ABC

Directive 2002/95 EC  
„RoHS“  
Compliant

APPROVAL # FREIGABE # DEBLOCAGE # AUTORIZACION # APPROVAL
CUSTOMER APPROVAL DATE:
NAME: TITLE:
COMPANY NAME:
APPROVAL # FREIGABE # DEBLOCAGE # AUTORIZACION # APPROVAL

THIS DRAWING MAY NOT BE COPIED OR REPRODUCED IN ANY WAY, AND MAY NOT BE PASSED ON TO A THIRD PARTY, WITHOUT WRITTEN PERMISSION. OWNERSHIP AND COPYRIGHT OF CONEC GmbH. DO NOT ALTER CAD DRAWING BY HAND

rev.	description	date	name
a	Origin		



tolerance	dim. in mm	scale: 2:1 (5:1)
material:	SEE NOTES	
title:	<b>D-SUB COMBINATION MALE 90°</b>	
	3W3P	
	with threaded insert, metal bracket and snap	
dwg no:	AutoCAD 2004	DIN-A
	13K1A1785	3
part no:	3003W3PXX58G40X	
		sh: 1/1