

Test disconnect terminal block - RTO 4-T-TC



3000558

<https://www.phoenixcontact.com/gb/products/3000558>

Please be informed that the data shown in this PDF document is generated from our Online Catalog. Please find the complete data in the user documentation. Our General Terms of Use for Downloads are valid.



Test disconnect terminal block, Note: the BE-RT... path extension is to be used for non-insulated cable lugs (see accessories), with transparent covers, nom. voltage: 500 V, nominal current: 41 A, 1 level, connection method: Bolt connection, mounting: NS 35/7,5, NS 35/15, color: gray

Your advantages

- The screws are secured against loosening by captive spring-loaded spacers
- Easy bridging and potential distribution using the patented plug-in bridges from the CLIPLINE complete system
- Quick and easy connection with fold-up hinged covers which hold the clamping nuts captive. With the covers folded open, the bolt is free to accept the cable lugs
- After closing and engaging the covers, the clamping nut automatically aligns with the threaded bolt and can be tightened easily.
- Large-surface labeling options in the terminal center and above the terminal points
- The use of the switching lock effectively prevents unintentional switching
- The hinged cover cover the live metal parts including the insulated cable lugs in the clamping area so that they are touch proof
- Testing with the standardized test adapters and test plugs of the CLIPLINE complete system

Commercial Data

Item number	3000558
Packing unit	25 pc
Minimum order quantity	25 pc
Sales Key	BE4333
Product Key	BE4333
Catalog Page	Page 383 (C-1-2019)
GTIN	4055626024806
Weight per Piece (including packing)	33.024 g
Weight per Piece (excluding packing)	29.75 g
Customs tariff number	85369010
Country of origin	CN

Test disconnect terminal block - RTO 4-T-TC



3000558

<https://www.phoenixcontact.com/gb/products/3000558>

Technical Data

Notes

General	Note: the BE-RT... path extension is to be used for non-insulated cable lugs (see accessories).
---------	---

Product properties

Product type	Bolt connection terminal block
Area of application	Machine building
	Plant engineering
Number of connections	2
Number of rows	1
Potentials	1

Insulation characteristics

Overvoltage category	III
Degree of pollution	3

Electrical properties

Rated surge voltage	6 kV
Maximum power dissipation for nominal condition	1.31 W

Connection data

Number of connections per level	2
Nominal cross section	6 mm ²
Rated cross section AWG	10

1 level

Stripping length	The stripping length depends on the specification provided by the cable lug manufacturer.
Connection in acc. with standard	IEC 60947-7-1
Nominal current	41 A
Maximum load current	41 A
Nominal voltage	500 V

Cable lug connection DIN 46234:1980-03

Connection in acc. with standard	DIN 46234:1980-03
Cross section	0.5 mm ² ... 6 mm ²
Cross section range AWG	(converted acc. to IEC)
Hole diameter	4.3 mm
Width	8 mm
Bolt diameter	4 mm
Screw thread	M4
Tightening torque	1.8 ... 1.8 Nm
Connection in acc. with standard	DIN 46237:1970-07

Test disconnect terminal block - RTO 4-T-TC



3000558

<https://www.phoenixcontact.com/gb/products/3000558>

Cross section	0.5 mm ² ... 6 mm ²
Cross section range AWG	(converted acc. to IEC)
Hole diameter	4.3 mm
Width	8 mm
Bolt diameter	4 mm
Screw thread	M4
Tightening torque	1.8 ... 1.8 Nm
Identification color of ring cable lugs : red	1 mm ²
Identification color of ring cable lugs : blue	2.5 mm ²
Identification color of ring cable lugs : yellow	6 mm ²

Dimensions

Width	12.3 mm
End cover width	2.2 mm
Height NS 35/15	58.5 mm
Height NS 35/7,5	51 mm
Length	82.4 mm

Material specifications

Color	gray
Flammability rating according to UL 94	V0
Insulating material group	I
Insulating material	PA
Static insulating material application in cold	-60 °C
Temperature index of insulation material (DIN EN 60216-1 (VDE 0304-21))	130 °C
Relative insulation material temperature index (Elec., UL 746 B)	130 °C
Fire protection for rail vehicles (DIN EN 45545-2) R22	HL 1 - HL 3
Fire protection for rail vehicles (DIN EN 45545-2) R23	HL 1 - HL 3
Fire protection for rail vehicles (DIN EN 45545-2) R24	HL 1 - HL 3
Fire protection for rail vehicles (DIN EN 45545-2) R26	HL 1 - HL 3
Calorimetric heat release NFPA 130 (ASTM E 1354)	28 MJ/kg
Surface flammability NFPA 130 (ASTM E 162)	passed
Specific optical density of smoke NFPA 130 (ASTM E 662)	passed
Smoke gas toxicity NFPA 130 (SMP 800C)	passed

Electrical tests

Surge voltage test

Test voltage setpoint	7.3 kV
Result	Test passed

Temperature-rise test

Requirement temperature-rise test	Increase in temperature ≤ 45 K
Result	Test passed

Test disconnect terminal block - RTO 4-T-TC



3000558

<https://www.phoenixcontact.com/gb/products/3000558>

Short-time withstand current 6 mm ²	0.72 kA
Result	Test passed

Power-frequency withstand voltage

Test voltage setpoint	1.89 kV
Result	Test passed

Mechanical properties

Mechanical data

Open side panel	Yes
-----------------	-----

Mechanical tests

Mechanical strength

Result	Test passed
--------	-------------

Attachment on the carrier

DIN rail/fixing support	NS 35
Test force setpoint	5 N
Result	Test passed

Environmental and real-life conditions

Needle-flame test

Time of exposure	30 s
Result	Test passed

Oscillation/broadband noise

Specification	DIN EN 50155 (VDE 0115-200):2008-03
Spectrum	Service life test category 2, bogie-mounted
Frequency	$f_1 = 5 \text{ Hz}$ to $f_2 = 250 \text{ Hz}$
ASD level	6.12 (m/s ²) ² /Hz
Acceleration	3.12g
Test duration per axis	5 h
Test directions	X-, Y- and Z-axis
Result	Test passed

Shocks

Specification	DIN EN 50155 (VDE 0115-200):2008-03
Pulse shape	Half-sine
Acceleration	30g
Shock duration	18 ms
Number of shocks per direction	3
Test directions	X-, Y- and Z-axis (pos. and neg.)
Result	Test passed

Ambient conditions

Test disconnect terminal block - RTO 4-T-TC



3000558

<https://www.phoenixcontact.com/gb/products/3000558>

Ambient temperature (operation)	-60 °C ... 105 °C (max. short-term operating temperature RTI Elec.)
Ambient temperature (storage/transport)	-25 °C ... 60 °C (for a short time, not exceeding 24 h, -60 °C to +70 °C)
Ambient temperature (assembly)	-5 °C ... 70 °C
Ambient temperature (actuation)	-5 °C ... 70 °C
Permissible humidity (storage/transport)	30 % ... 70 %

Standards and regulations

Connection in acc. with standard	IEC 60947-7-1
----------------------------------	---------------

Mounting

Mounting type	NS 35/7,5
	NS 35/15

Test disconnect terminal block - RTO 4-T-TC

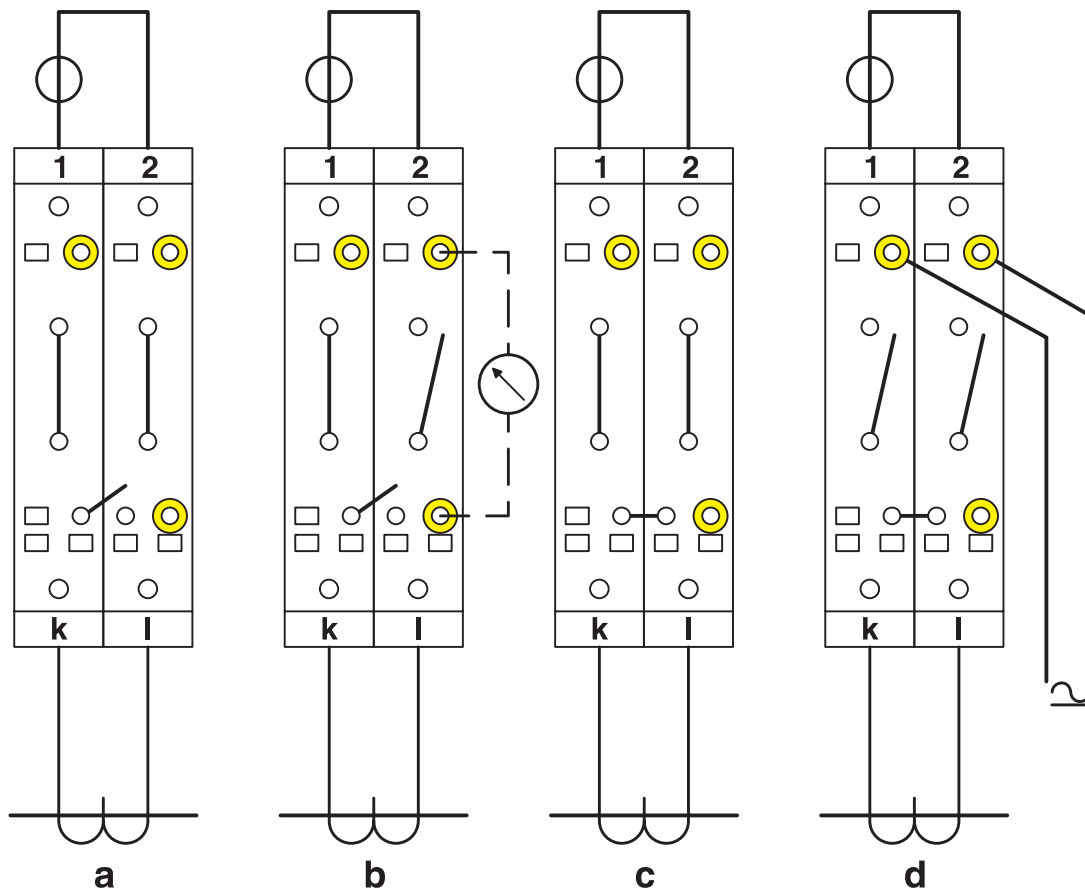


3000558

<https://www.phoenixcontact.com/gb/products/3000558>

Drawings

Connection diagram



Simple current transformer test circuit

a = normal operation

b = measured value testing

c = transformer testing

d = relay testing

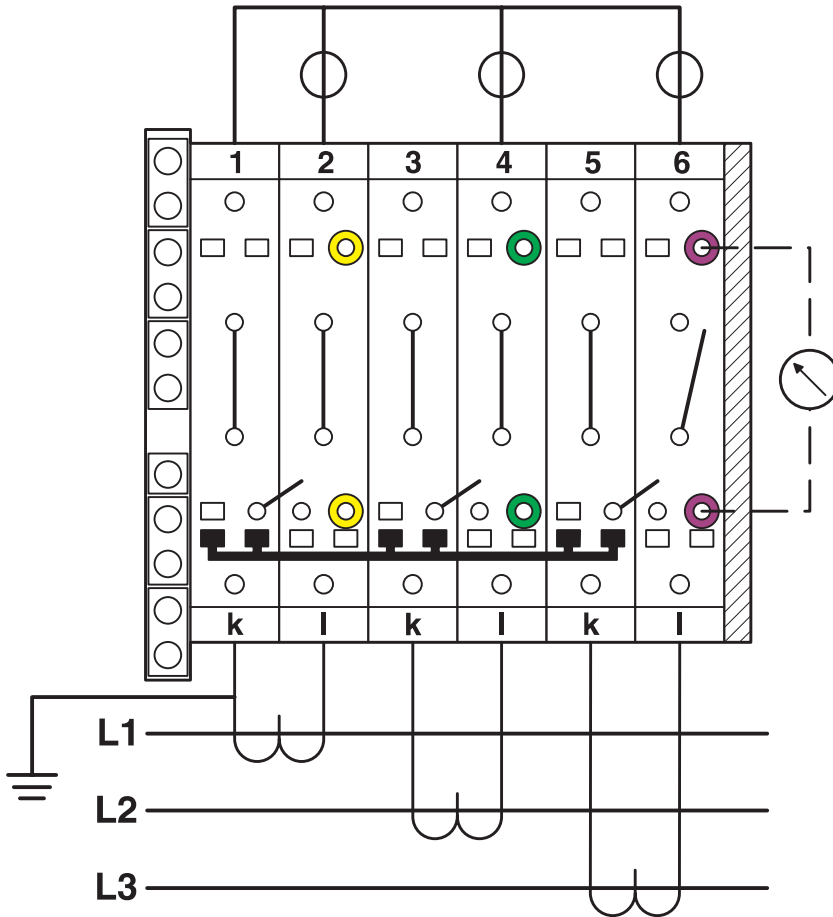
Test disconnect terminal block - RTO 4-T-TC

3000558

<https://www.phoenixcontact.com/gb/products/3000558>



Connection diagram



Three-phase transducer test set

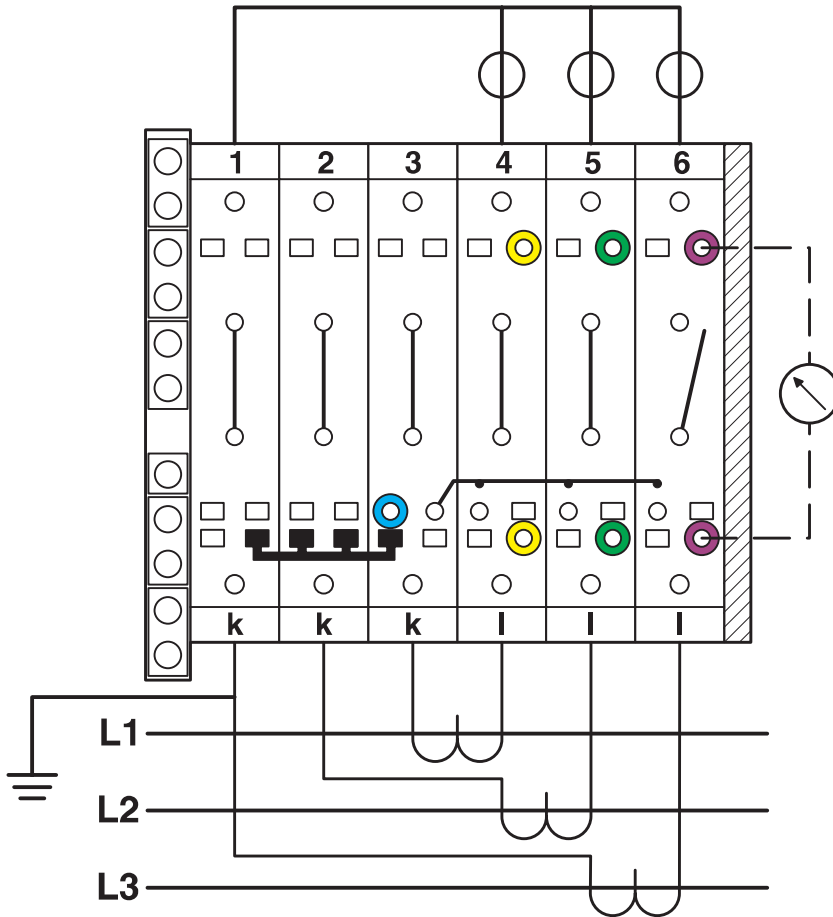
Test disconnect terminal block - RTO 4-T-TC

3000558

<https://www.phoenixcontact.com/gb/products/3000558>



Connection diagram



Three-phase linked transducer test set

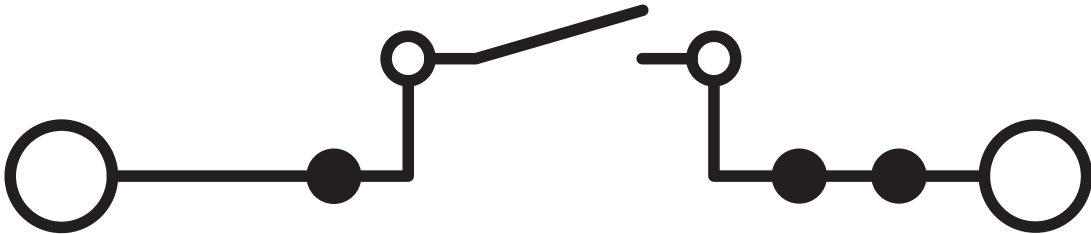
Test disconnect terminal block - RTO 4-T-TC



3000558

<https://www.phoenixcontact.com/gb/products/3000558>

Circuit diagram



Test disconnect terminal block - RTO 4-T-TC



3000558

<https://www.phoenixcontact.com/gb/products/3000558>

Approvals



EAC

Approval ID: RU C-DE.BL08.B.00540



cULus Recognized

Approval ID: E60425

	Nominal Voltage U_N	Nominal Current I_N	Cross Section AWG	Cross Section mm^2
Use group B				
	600 V	30 A	-	-
Use group C				
	600 V	30 A	-	-

Test disconnect terminal block - RTO 4-T-TC



3000558

<https://www.phoenixcontact.com/gb/products/3000558>

Classifications

ECLASS

ECLASS-9.0	27141126
ECLASS-10.0.1	27141126
ECLASS-11.0	27141126
ECLASS-12.0	27141126

ETIM

ETIM 8.0	EC000902
----------	----------

UNSPSC

UNSPSC 21.0	39121400
-------------	----------

Test disconnect terminal block - RTO 4-T-TC



3000558

<https://www.phoenixcontact.com/gb/products/3000558>

Environmental Product Compliance

China RoHS

Environmentally Friendly Use Period = 50 years

For information on hazardous substances, refer to the manufacturer's declaration available under "Downloads"