

RF 15, gold, spot illumination, 2.9 ± 0.6 N, lamp blue, bezel white, 1 NO



fields of application

- › Measurement-control-regulation
- › Mechanical and system engineering
- › Automotive
- › Electro-medical

special features

- › Gold contacts, reliable switching with low currents
- › Optional: spot illumination or full illumination
- › Key grid 19.05 mm
- › Overall height: 9.7 mm or 12.5 mm with keycap
- › Terminal technology: THT



description

The RF 15 gold tactile switches have a 15 x 15 mm edge length, reliable gold contacts and a noticeable click. They are used in flat data entry keyboards under overlays or under keycaps, such as RAFI RK 90 keycaps.

Flat data entry keyboards with RF 15 elements should be constructed in a 19.05 mm grid. With this grid, strips of glue remain between the individual keys on the front panel. The overlay, which we recommend embossing above the key switches, can be glued onto these strips of glue.

RF 15, mit Gold-Kontakten, Punktausleuchtung mit 1 LED in verschiedenen Farben. Die LED sitzt in der Ecke des Tasters.

technical data

› general

| | |
|--|-------------------------|
| Bezel color | white |
| Luminous element color | blue |
| Operating temperature, min. | -25 °C |
| Operating temperature, max. | 70 °C |
| Storage temperature, min. | -25 °C |
| Storage temperature, max. | 70 °C |
| illuminated | Yes |
| Luminous elements | Spot illumination 1 LED |
| Soldering time for manual soldering, max. | 5 sec |
| Soldering temperature for manual soldering | 350 °C |
| Soldering temperature for wave soldering | 260 °C |
| Soldering | Manual / wave |
| Solder heat resistance according to standard | DIN EN 60068-2-20 |

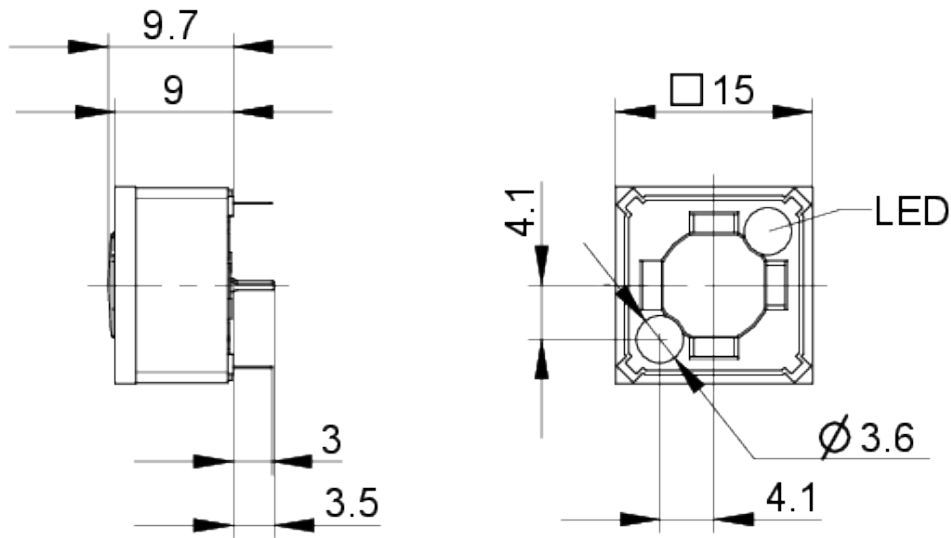
direct links

- › [RAFI eCatalog](#)

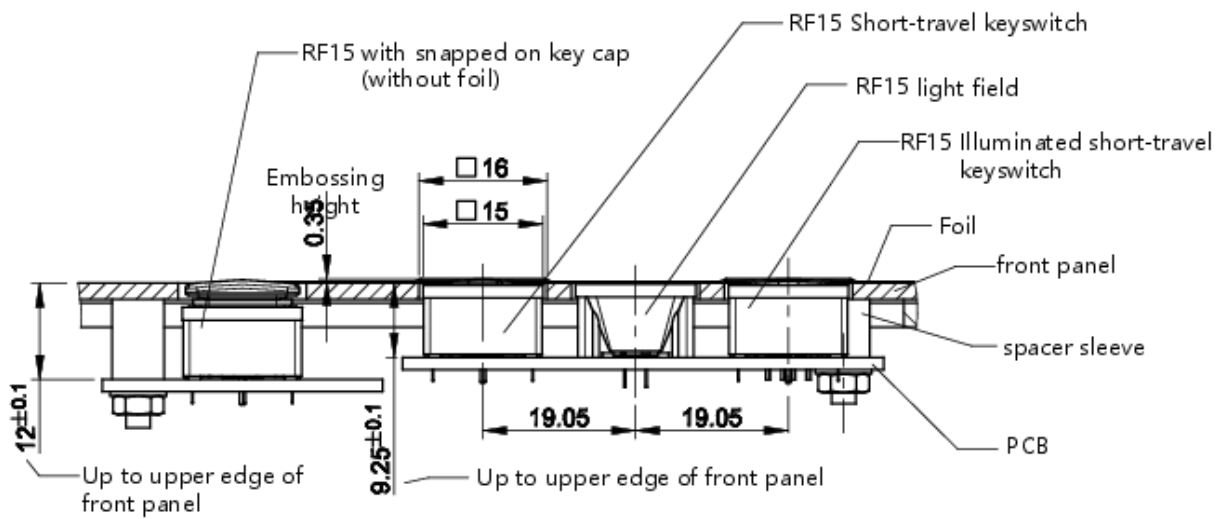
| | |
|---|----------------------------|
| Packaging | Tube |
| Packaging unit | 25 pcs. |
| net weight | 2 g |
| Operating life | 1,000,000 cycles |
| B10 | 1,300,000 cycles |
| MOQ order | 25 pcs. |
| RoHS compliant | Yes |
| REACH compliant | Yes |
| > mounting diameters | |
| Outside dimension, length | 15 mm |
| Outside dimension, width | 15 mm |
| Outside dimension, height | 9.7 mm |
| Installation height | 9.7 mm |
| Grid, min. | 19.05 mm |
| > mechanical data | |
| Actuation function | momentary contact function |
| Operating force, max. | 100 N |
| Operating force, min. | 2.9 ± 0.6 N |
| Switching travel | 0.5 ^{+0.3} mm |
| Contact function | 1 NO |
| Contact system | Snap-action contact |
| Contact material | Gold |
| Fixing | Soldering |
| Solderability | Yes |
| Terminal on the rear | THT |
| > electrical data | |
| Operating voltage of the luminous element, min. | 2.7 V |
| Operating voltage of the luminous element, max. | 5 V |
| Rated voltage, min. | 0.02 V |
| Rated voltage, max. | 35 V |
| Operating current of the luminous element, max. | 20 mA |
| Rated current, min. | 0.00001 A |
| Rated current, max. | 0.1 A |
| Rated power, max. | 2 W |
| dropping resistor | no |

drawings

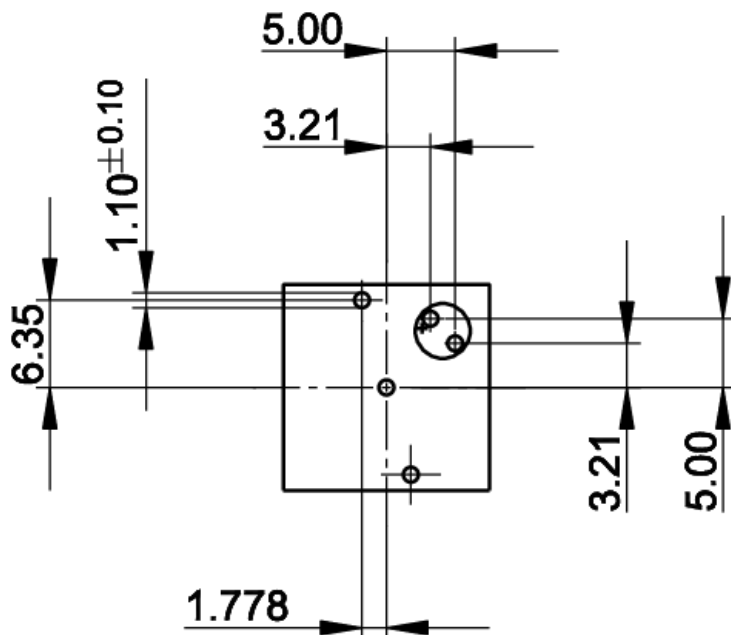
Dimensioned drawing



System drawing

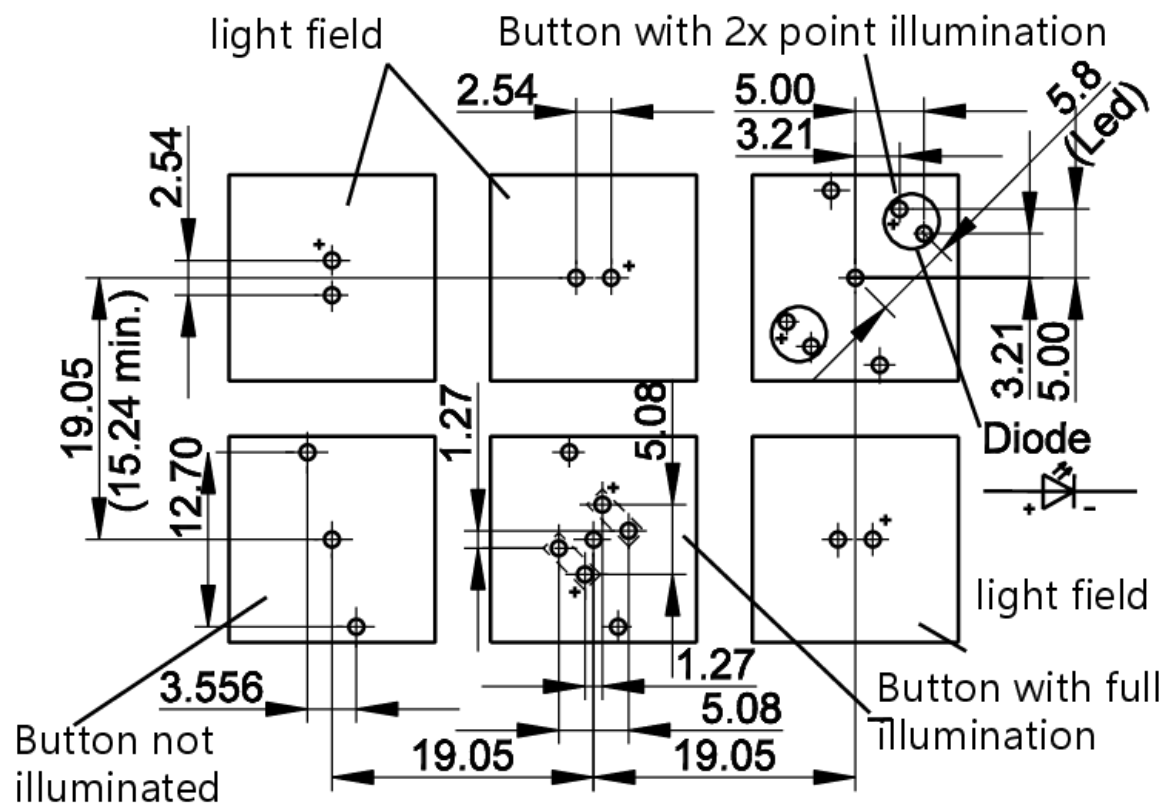


PCB drawing

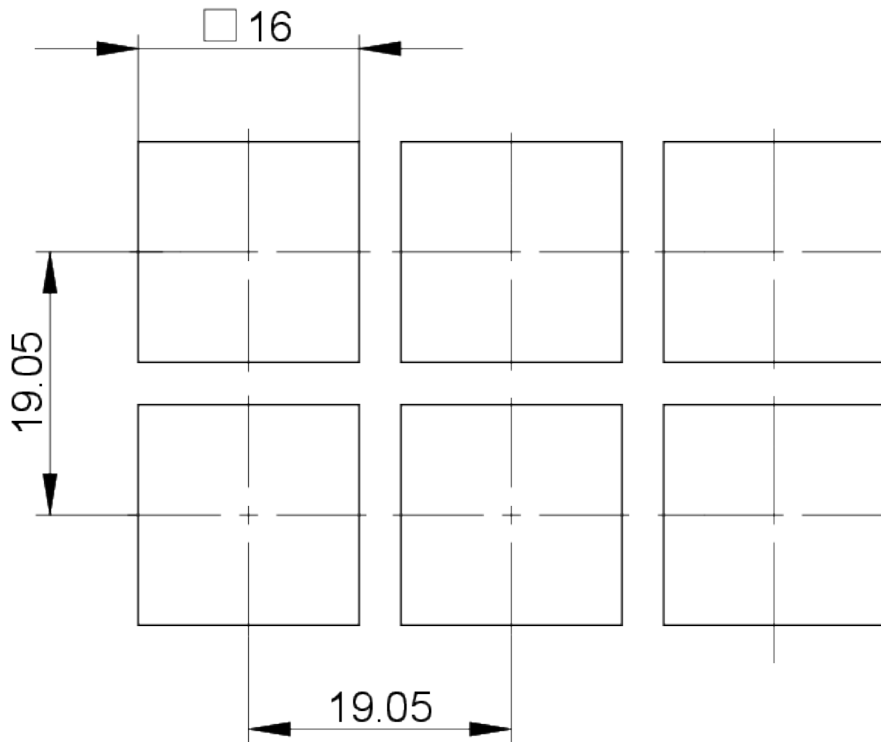


Button with 1x point illumination

PCB drawing



front panel drawing



front panel drawing

