

3-966140-1 ✓ ACTIVE

### Timer Connector System

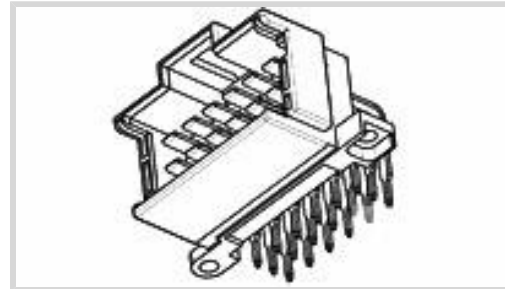
TE Internal #: 3-966140-1

Timer Connector System, Automotive Headers, Wire-to-Board, 18 Position, 3.5mm [.138in] Centerline, Horizontal, 3 Row, Black, Through Hole - Solder

[View on TE.com >](#)



Connectors > Automotive Connectors > Automotive Headers > LOW & MEDIUM POWER HEADER



Connector System: **Wire-to-Board**

Number of Positions: **18**

Centerline (Pitch): **3.5 mm [ .138 in ]**

Sealable: **No**

PCB Mount Orientation: **Horizontal**

[All LOW & MEDIUM POWER HEADER \(159\)](#)

## Features

### Product Type Features

Hybrid Header	No
Connector System	Wire-to-Board
Sealable	No
Connector & Contact Terminates To	Printed Circuit Board

### Configuration Features

Number of Signal Positions	18
Number of Positions	18
PCB Mount Orientation	Horizontal
Number of Rows	3

### Electrical Characteristics

Nominal Voltage Architecture	12 V, 24 V
Operating Voltage	24 VDC

### Body Features

Primary Product Color	Black
-----------------------	-------

### Contact Features

Mating Tab Width	2.8 mm[.11 in]
------------------	----------------



Mating Tab Thickness	.8 mm[.031 in]
----------------------	----------------

Contact Mating Area Plating Material	Silver (Ag)
--------------------------------------	-------------

### Termination Features

Termination Method to Printed Circuit Board	Through Hole - Solder
---	-----------------------

### Mechanical Attachment

Locking Interface	With
-------------------	------

Mounting Holes	With
----------------	------

PCB Mount Alignment	Without
---------------------	---------

Panel Mount Feature	With
---------------------	------

PCB Mount Retention	Without
---------------------	---------

PCB Mount Retention Type	Solder Tail
--------------------------	-------------

Connector Mounting Type	Panel Mount
-------------------------	-------------

### Housing Features

Centerline (Pitch)	3.5 mm[.138 in]
--------------------	-----------------

### Dimensions

Profile Height from PCB	26.2 mm[1.031 in]
-------------------------	-------------------

Product Width	20.3 mm[.791 in]
---------------	------------------

Product Length	46 mm[1.811 in]
----------------	-----------------

### Usage Conditions

Operating Temperature (Max)	65 °C, 70 °C, 75 °C, 80 °C, 85 °C, 90 °C, 100 °C [149 °F][158 °F][167 °F][176 °F][185 °F][194 °F][212 °F]
-----------------------------	--

Operating Temperature Range	-40 – 100 °C[-40 – 212 °F]
-----------------------------	----------------------------

### Operation/Application

Shielded	No
----------	----

Circuit Application	Signal
---------------------	--------

### Industry Standards

UL Flammability Rating	UL 94HB
------------------------	---------

### Packaging Features

Packaging Type	Tray
----------------	------

Packaging Quantity	112
--------------------	-----

### Other



Interface Number	114-18085-025
------------------	---------------

### Product Compliance

[For compliance documentation, visit the product page on TE.com>](#)

EU RoHS Directive 2011/65/EU	Compliant
EU ELV Directive 2000/53/EC	Out of Scope
China RoHS 2 Directive MIIT Order No 32, 2016	No Restricted Materials Above Threshold
EU REACH Regulation (EC) No. 1907/2006	Current ECHA Candidate List: JUL 2021 (219) Candidate List Declared Against: JUL 2021 (219) Does not contain REACH SVHC
Halogen Content	BFR/CFR/PVC Free, but Br/Cl >900 ppm in other sources.
Solder Process Capability	Wave solder capable to 260°C

#### Product Compliance Disclaimer

This information is provided based on reasonable inquiry of our suppliers and represents our current actual knowledge based on the information they provided. This information is subject to change. The part numbers that TE has identified as EU RoHS compliant have a maximum concentration of 0.1% by weight in homogenous materials for lead, hexavalent chromium, mercury, PBB, PBDE, DBP, BBP, DEHP, DIBP, and 0.01% for cadmium, or qualify for an exemption to these limits as defined in the Annexes of Directive 2011/65/EU (RoHS2). Finished electrical and electronic equipment products will be CE marked as required by Directive 2011/65/EU. Components may not be CE marked. Additionally, the part numbers that TE has identified as EU ELV compliant have a maximum concentration of 0.1% by weight in homogenous materials for lead, hexavalent chromium, and mercury, and 0.01% for cadmium, or qualify for an exemption to these limits as defined in the Annexes of Directive 2000/53/EC (ELV). Regarding the REACH Regulation, the information TE provides on SVHC in articles for this part number is based on the latest European Chemicals Agency (ECHA) 'Guidance on requirements for substances in articles' posted at this URL: <https://echa.europa.eu/guidance-documents/guidance-on-reach>

### Compatible Parts



TE Part # CAT-T4827-CH8172  
TIMER, CONNECTOR HOUSING



TE Part # 8-968974-1  
MCP2.8 GEH 18P

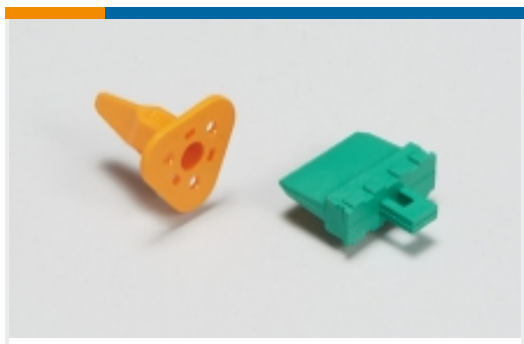


TE Part # 9-968974-2  
MCP2,8 GEH ASSY 18P

### Also in the Series | [Timer Connector System](#)



Automotive Connector Caps & Covers (11)



Automotive Connector Locks & Position Assurance(16)



Automotive Headers(78)



Automotive Housings(212)



Automotive Seals & Cavity Plugs(31)



Automotive Terminals(142)



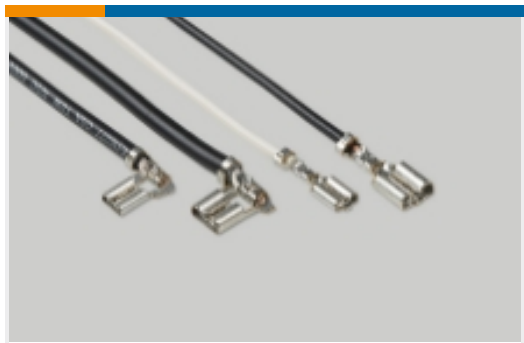
Crimp Terminal Housings(13)



Insertion & Extraction Tools(20)



Other Automotive Connector Accessories(1)

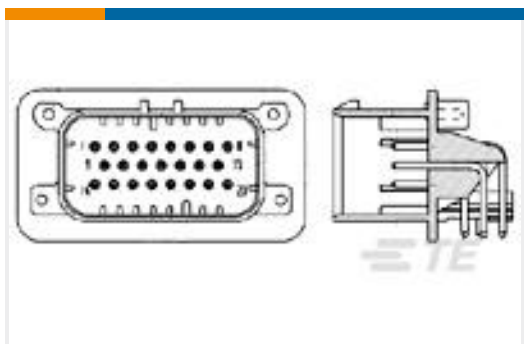


Quick Disconnects(4)

## Customers Also Bought



TE Part #1674954-1  
SHIELD FINGER 2026 WITH TAPE



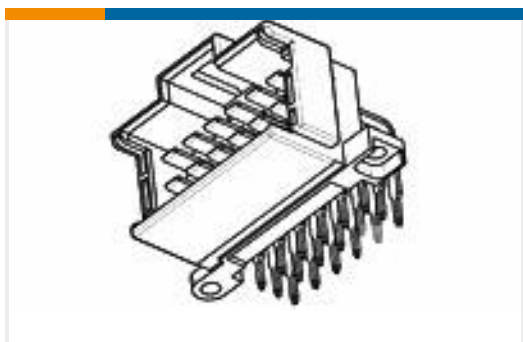
TE Part #770669-1  
23 POS AMPSEAL ASSY SNAP-IN



TE Part #6473418-1  
SUPER SEAL 26POS CAP ASSY V AU



TE Part #3-966140-2  
LOW & MEDIUM POWER HEADER



TE Part #966140-1  
MESSERLEISTE 18P



TE Part #3-1617109-8  
SMGSD-8013 = SMGSD SURF. MOUNT

## Documents



## Product Drawings

### MESSERLEISTE 18P

English

---

## CAD Files

### Customer View Model

[ENG\\_CVM\\_CVM\\_3-966140-1\\_C.2d\\_dxf.zip](#)

English

### 3D PDF

3D

### Customer View Model

[ENG\\_CVM\\_CVM\\_3-966140-1\\_C.3d\\_igs.zip](#)

English

### Customer View Model

[ENG\\_CVM\\_CVM\\_3-966140-1\\_C.3d\\_stp.zip](#)

English

By downloading the CAD file I accept and agree to the [Terms and Conditions](#) of use.

---

## Product Specifications

### Application Specification

English