

3-647502-5 ✓ ACTIVE

MTA | MTA 100

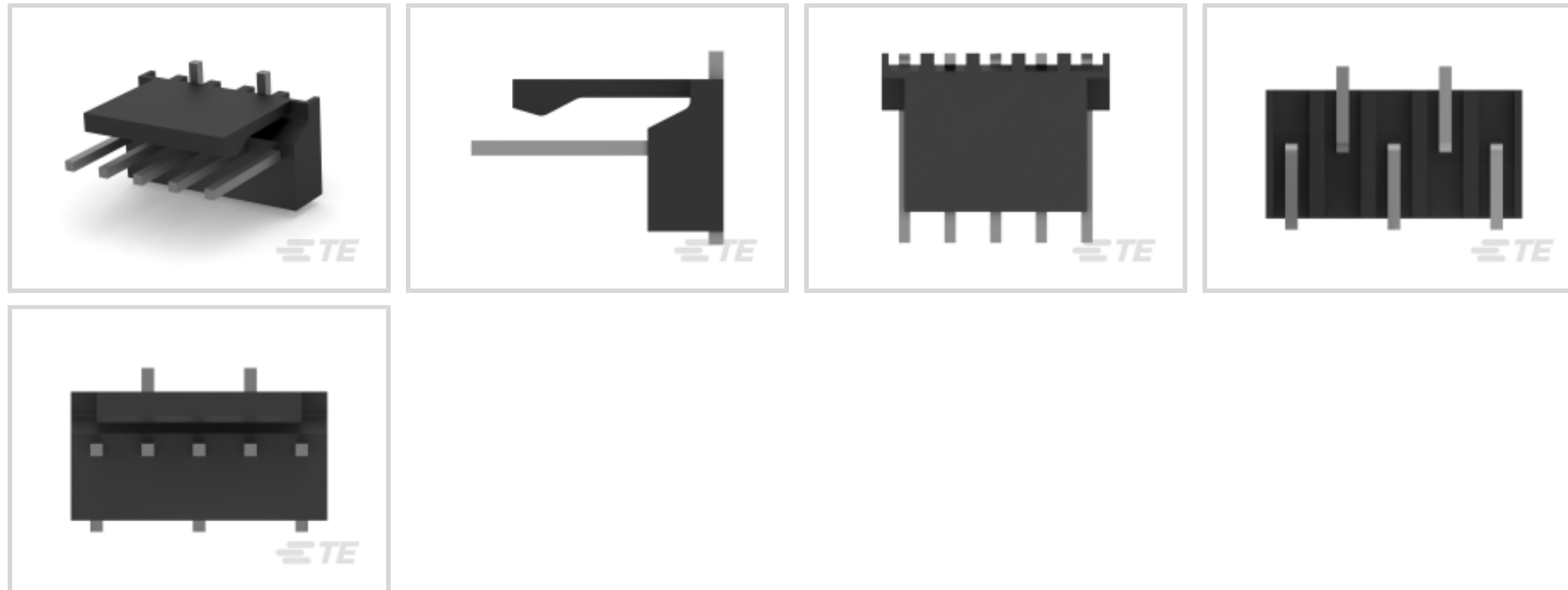
TE Internal #: 3-647502-5

MTA 100, PCB Mount Header, Vertical, Wire-to-Board, 5 Position,  
2.54mm [.1in] Centerline, 1 Row, Tin, Black Housing Color,  
Unshrouded

[View on TE.com >](#)



Connectors > PCB Connectors > Wire-to-Board Connectors > Wire-to-Board Headers & Receptacles



PCB Connector Assembly Type: **PCB Mount Header**

PCB Mount Orientation: **Vertical**

Connector System: **Wire-to-Board**

Number of Positions: **5**

Centerline (Pitch): **2.54 mm [.1 in]**

## Features

### Product Type Features

PCB Connector Assembly Type	PCB Mount Header
Connector System	Wire-to-Board
Header Type	Unshrouded
Sealable	No
Connector & Contact Terminates To	Printed Circuit Board

### Configuration Features

PCB Mount Orientation	Vertical
Number of Positions	5
Number of Rows	1

### Electrical Characteristics

Operating Voltage	250 VAC
-------------------	---------

### Contact Features

Contact Layout	Inline
Contact Mating Area Length	7.37 mm [.29 in]



Mating Square Post Dimension	.64 mm[.025 in]
Contact Retention Within Housing	Without
PCB Contact Termination Area Plating Material Finish	Matte
Contact Shape & Form	Square
PCB Contact Termination Area Plating Material	Tin
Contact Base Material	Copper Alloy
Contact Mating Area Plating Material	Tin
Contact Mating Area Plating Material Finish	Matte
Contact Mating Area Plating Material Thickness	3.81 – 6.35 $\mu$ m[150 – 250 $\mu$ in]
Contact Type	Pin
Contact Current Rating (Max)	5 A

#### Termination Features

Square Termination Post & Tail Dimension	.64 mm[.025 in]
Termination Method to Wire & Cable	Solder
Termination Method to Printed Circuit Board	Surface Mount

#### Mechanical Attachment

Strain Relief	Without
Mating Alignment	Without
Panel Mount Feature	Without
Mating Retention Type	Friction Lock
PCB Mount Alignment	Without
Mating Retention	With
PCB Mount Retention	Without
Connector Mounting Type	Board Mount

#### Housing Features

Centerline (Pitch)	2.54 mm[.1 in]
Housing Color	Black
Housing Material	Nylon 4/6

#### Dimensions

Connector Length	15.24 mm[.6 in]
Connector Height	8.81 mm[.34 in]
PCB Thickness (Recommended)	1.6 mm[.063 in]



### Usage Conditions

Operating Temperature Range	-55 – 105 °C[-67 – 221 °F]
-----------------------------	----------------------------

### Operation/Application

Circuit Application	Signal
---------------------	--------

### Industry Standards

CSA Rating	Certified
UL Flammability Rating	UL 94V-0
Agency/Standard	CSA, UL
CSA File Number	LR 7189
UL Rating	Recognized
UL File Number	E28476
VDE Tested	No

### Packaging Features

Packaging Quantity	225
Packaging Method	Reel

### Product Compliance

[For compliance documentation, visit the product page on TE.com>](#)

EU RoHS Directive 2011/65/EU	Compliant
EU ELV Directive 2000/53/EC	Compliant
China RoHS 2 Directive MIIT Order No 32, 2016	No Restricted Materials Above Threshold
EU REACH Regulation (EC) No. 1907/2006	Current ECHA Candidate List: JUN 2020 (209) Candidate List Declared Against: JUL 2019 (201) Does not contain REACH SVHC
Halogen Content	Low Halogen - Br, Cl, F, I < 900 ppm per homogenous material. Also BFR/CFR/PVC Free
Solder Process Capability	Reflow solder capable to 260°C

#### Product Compliance Disclaimer

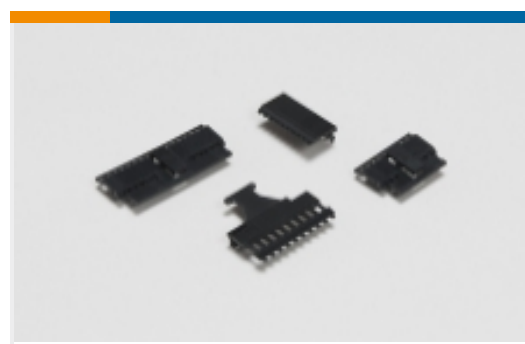
This information is provided based on reasonable inquiry of our suppliers and represents our current actual knowledge based on the information they provided. This information is subject to change. The part numbers that TE has identified as EU RoHS compliant have a maximum concentration of 0.1% by weight in homogenous materials for lead, hexavalent chromium, mercury, PBB, PBDE, DBP, BBP, DEHP, DIBP, and 0.01% for cadmium, or qualify for an exemption to these limits as defined in the Annexes of Directive 2011/65/EU (RoHS2). Finished electrical and electronic equipment products will be CE marked as required by Directive 2011/65/EU. Components may not be CE marked. Additionally, the part

numbers that TE has identified as EU ELV compliant have a maximum concentration of 0.1% by weight in homogenous materials for lead, hexavalent chromium, and mercury, and 0.01% for cadmium, or qualify for an exemption to these limits as defined in the Annexes of Directive 2000/53/EC (ELV). Regarding the REACH Regulation, the information TE provides on SVHC in articles for this part number is based on the latest European Chemicals Agency (ECHA) 'Guidance on requirements for substances in articles' posted at this URL: <https://echa.europa.eu/guidance-documents/guidance-on-reach>

## Compatible Parts

 <p>TE Model / Part # 3-644565-5 05P MTA100 CONN ASSY F/T 28AWG</p>	 <p>TE Model / Part # 3-644540-5 05P MTA100 CONN ASSY F/T W/LCK</p>	 <p>TE Model / Part # 3-644563-5 05P MTA100 CONN ASSY F/T 24AWG</p>	 <p>TE Model / Part # 640550-5 05P MTA100 COVER</p>
 <p>TE Model / Part # 3-643814-5 05P MTA100 CONN ASSY POL RIB</p>	 <p>TE Model / Part # 643077-5 05P MTA100 MOLDED COVER F/T</p>	 <p>TE Model / Part # 3-643815-5 05P MTA100 CONN ASSY POL RIB</p>	 <p>TE Model / Part # 643075-5 05P MTA100 MOLDED COVER</p>
 <p>TE Model / Part # 3-643813-5 05P MTA100 CONN ASSY POL RIB</p>	 <p>TE Model / Part # 3-644512-5 05P MTA100 CONN ASSY TAPE LF</p>	 <p>TE Model / Part # 3-644511-5 05P MTA100 CONN ASSY ON TAPE</p>	 <p>TE Model / Part # 640642-5 05P MTA100 COVER F/T</p>
 <p>TE Model / Part # 3-644564-5 05P MTA100 CONN ASSY F/T 26AWG</p>	 <p>TE Model / Part # 3-643816-5 05P MTA100 CONN ASSY POL RIB</p>	 <p>TE Model / Part # 3-641536-5 05P MTA100 CONN ASSY 26AWG</p>	

Also in the Series | **MTA 100**



PCB Connector Covers(107)



PCB Connector Keying(1)



Standard Rectangular Connectors (1730)



Wire-to-Board Connector Contacts(18)



Wire-to-Board Headers & Receptacles (1192)

## Customers Also Bought



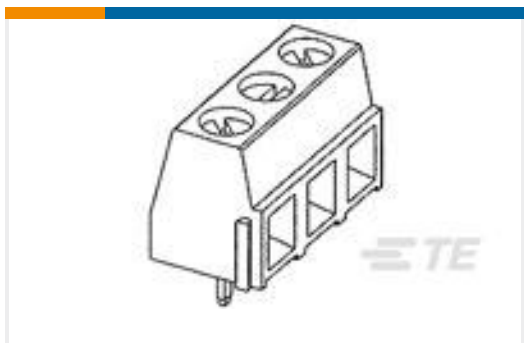
TE Model / Part #3-647502-6  
06P MTA100 SMT ASSY,SN,TAPE, LF



TE Model / Part #3-794628-6  
06P MICRO MNL ASSY,R/A,SMT LF



TE Model / Part #2170193-1  
SFP+ 1x1 Cage Assembly,w/ Light Pipe



TE Model / Part #3-282836-0  
TERMI-BLOK PCB MOUNT 90 8P Ke



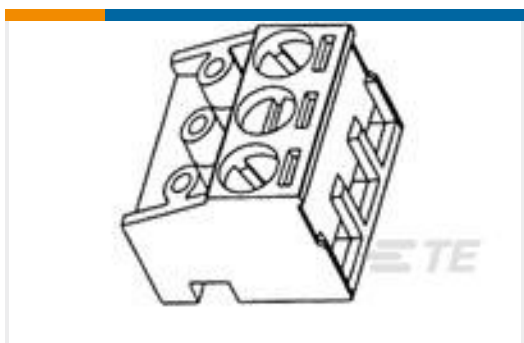
TE Model / Part #2-1445084-9  
micro mnl hdr assy s/row au lf



TE Model / Part #2110742-1  
SFP+ 1x6 Cage and Light Pipe Assy



TE Model / Part #2-1776044-8  
SSB7FP041503=SSB7 ASSY



TE Model / Part #282830-8  
TERMI-BLOK PLUG 90&180 8P. 5



TE Model / Part #4-794637-6  
16P MICRO MNL ASSY,VRT,SMT LF



TE Model / Part #5120791-1  
ZP HS3 DB 10R REC 050P CT PD

## Documents



### Product Drawings

[05P MTA100 HDR ASSY,SM,SN, LF](#)

English

---

### CAD Files

[3D PDF](#)

3D

Customer View Model

[ENG\\_CVM\\_CVM\\_3-647502-5\\_E\\_c-3-647502-5-e.2d\\_dxf.zip](#)

English

Customer View Model

[ENG\\_CVM\\_CVM\\_3-647502-5\\_E\\_c-3-647502-5-e.3d\\_igs.zip](#)

English

Customer View Model

[ENG\\_CVM\\_CVM\\_3-647502-5\\_E\\_c-3-647502-5-e.3d\\_stp.zip](#)

English

By downloading the CAD file I accept and agree to the [Terms and Conditions](#) of use.

---

### Product Specifications

[Product Specification](#)

English

---

### Agency Approvals

[Agency Approval Document](#)

English