

3-646347-0 ✓ ACTIVE

Z-PACK | Z-PACK 2mm HM

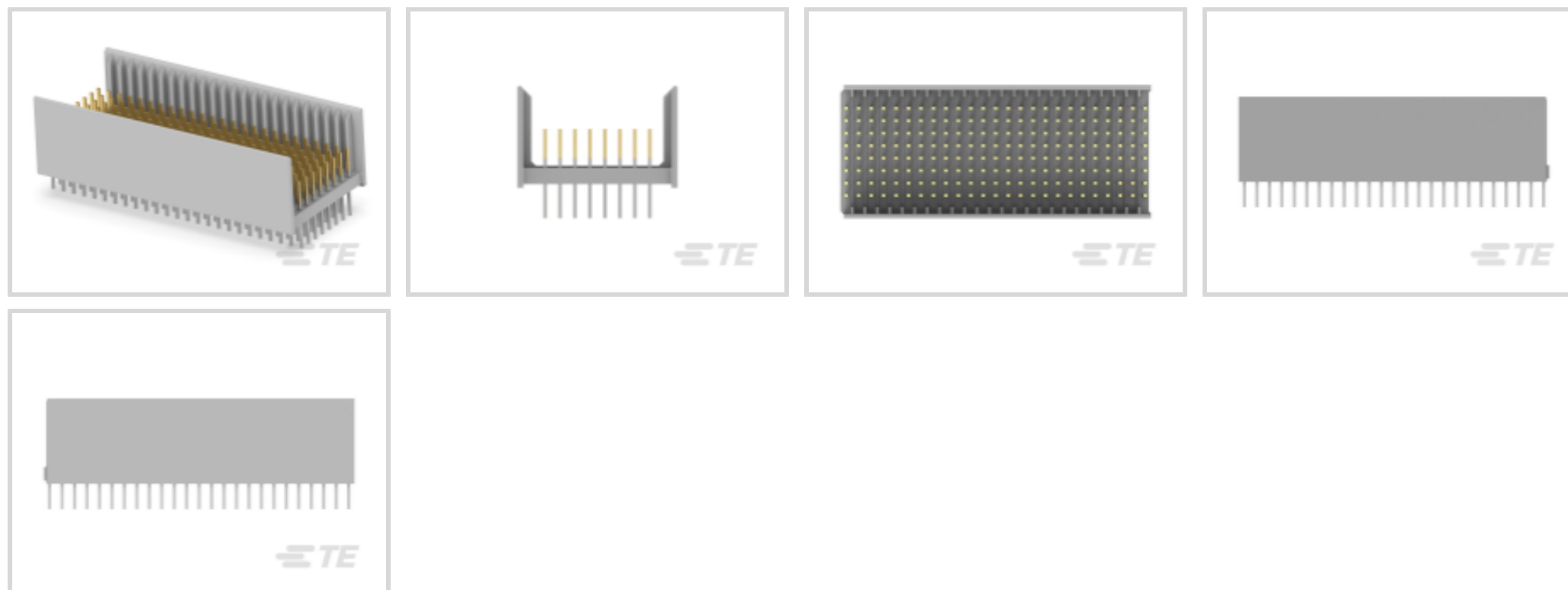
TE Internal #: 3-646347-0

Z-PACK 2mm HM, Hard Metric Backplane Connectors, PCB Mount Header, ≤ 1 Gb/s, 25 Column, 8 Row, Mezzanine, Board-to-Board, 200 Position

[View on TE.com >](#)



Connectors > PCB Connectors > Backplane Connectors > Hard Metric Connectors



PCB Connector Assembly Type: **PCB Mount Header**

Data Rate: ≤ 1 Gb/s

Number of Columns: **25**

Number of Rows: **8**

Backplane Architecture: **Mezzanine**

Features

Product Type Features

PCB Connector Assembly Type	PCB Mount Header
Connector System	Board-to-Board
Sealable	No
Connector & Contact Terminates To	Printed Circuit Board

Configuration Features

Number of Columns	25
Number of Rows	8
Backplane Architecture	Mezzanine
Number of Positions	200
PCB Mount Orientation	Vertical

Signal Characteristics

Data Rate	≤ 1 Gb/s
-----------	---------------

Contact Features

Contact Underplating Material	Nickel
-------------------------------	--------



Contact Base Material	Phosphor Bronze
CompactPCI Designation	None
Contact Mating Area Plating Material	Gold
Contact Mating Area Plating Material Thickness	.76 μm[30 μin]
Contact Current Rating (Max)	1.5 A

Mechanical Attachment

Connector Mounting Type	Board Mount
-------------------------	-------------

Housing Features

Housing Material	Glass Filled Polyester
Centerline (Pitch)	2 mm[.078 in]
Housing Color	Gray

Usage Conditions

Operating Temperature Range	-55 – 125 °C[-67 – 257 °F]
-----------------------------	----------------------------

Operation/Application

Circuit Application	Signal
---------------------	--------

Industry Standards

UL Flammability Rating	UL 94V-0
AdvancedTCA Specified Product	No

Packaging Features

Packaging Method	Tube
------------------	------

Product Compliance

[For compliance documentation, visit the product page on TE.com>](#)

EU RoHS Directive 2011/65/EU	Not Compliant
EU ELV Directive 2000/53/EC	Not Compliant
China RoHS 2 Directive MIIT Order No 32, 2016	Restricted Materials Above Threshold
EU REACH Regulation (EC) No. 1907/2006	Current ECHA Candidate List: JUN 2020 (209) Candidate List Declared Against: JUL 2019 (201) SVHC > Threshold: Pb (13% in COMPONENT)

Article Safe Usage Statements:

Do not eat, drink or smoke when using this product. Wash thoroughly after handling. Recycle if possible and dispose of the article by following all applicable governmental regulations relevant to your geographic location.

Halogen Content

Not Yet Reviewed for halogen content

Solder Process Capability

Not applicable for solder process capability

Product Compliance Disclaimer

This information is provided based on reasonable inquiry of our suppliers and represents our current actual knowledge based on the information they provided. This information is subject to change. The part numbers that TE has identified as EU RoHS compliant have a maximum concentration of 0.1% by weight in homogenous materials for lead, hexavalent chromium, mercury, PBB, PBDE, DBP, BBP, DEHP, DIBP, and 0.01% for cadmium, or qualify for an exemption to these limits as defined in the Annexes of Directive 2011/65/EU (RoHS2). Finished electrical and electronic equipment products will be CE marked as required by Directive 2011/65/EU. Components may not be CE marked. Additionally, the part numbers that TE has identified as EU ELV compliant have a maximum concentration of 0.1% by weight in homogenous materials for lead, hexavalent chromium, and mercury, and 0.01% for cadmium, or qualify for an exemption to these limits as defined in the Annexes of Directive 2000/53/EC (ELV). Regarding the REACH Regulation, the information TE provides on SVHC in articles for this part number is based on the latest European Chemicals Agency (ECHA) 'Guidance on requirements for substances in articles' posted at this URL: <https://echa.europa.eu/guidance-documents/guidance-on-reach>

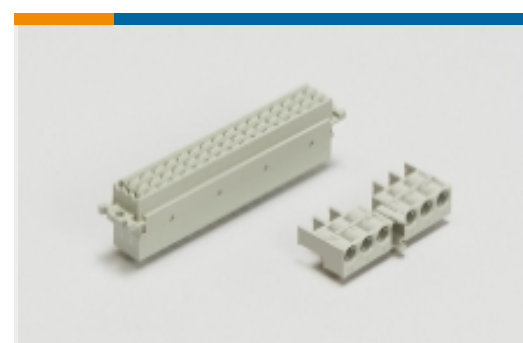
Compatible Parts



Also in the Series | Z-PACK 2mm HM



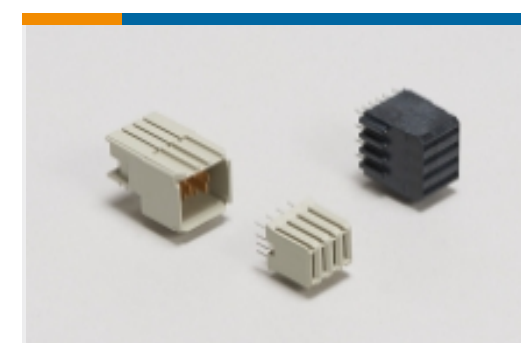
Backplane Coding Keys(60)



Backplane Connector Housings(2)



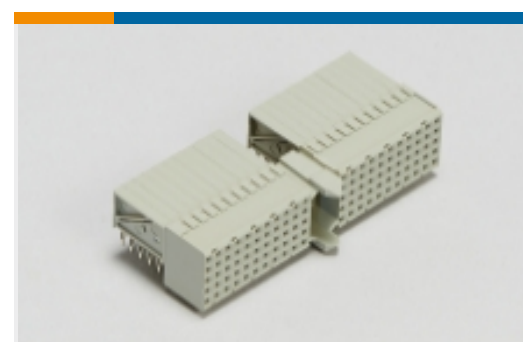
Backplane Guide Hardware(37)



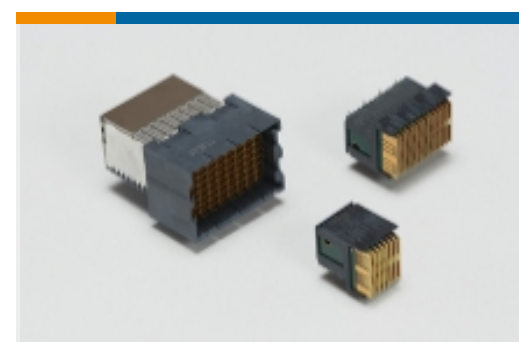
Backplane Power Connectors(7)



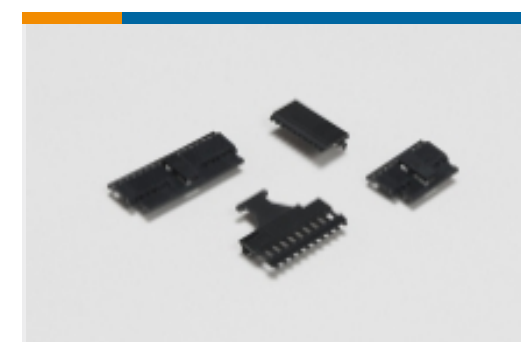
Board-to-Board Connector Contacts(5)



Hard Metric Backplane Connectors (259)



High Speed Backplane Connectors(15)



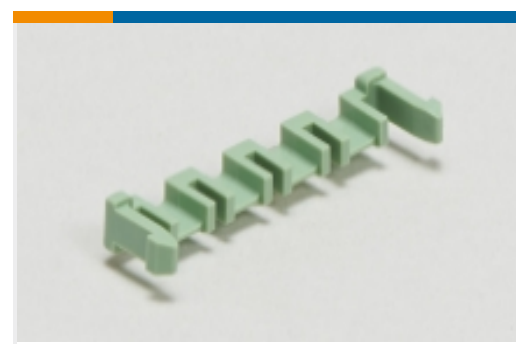
PCB Connector Covers(4)



PCB Connector Shrouds(42)



PCB Ferrules & Shields(19)

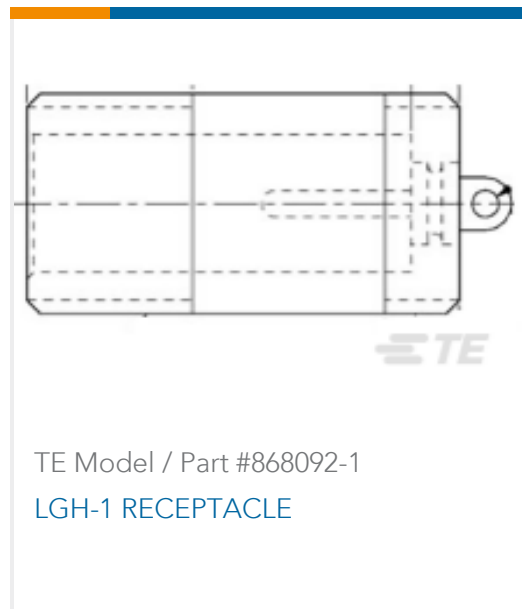
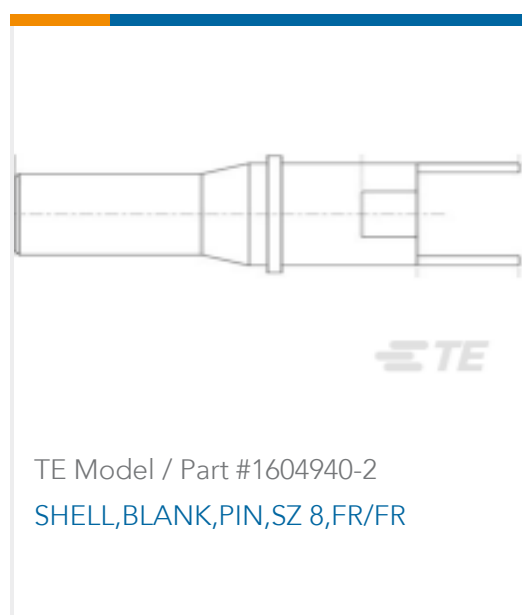
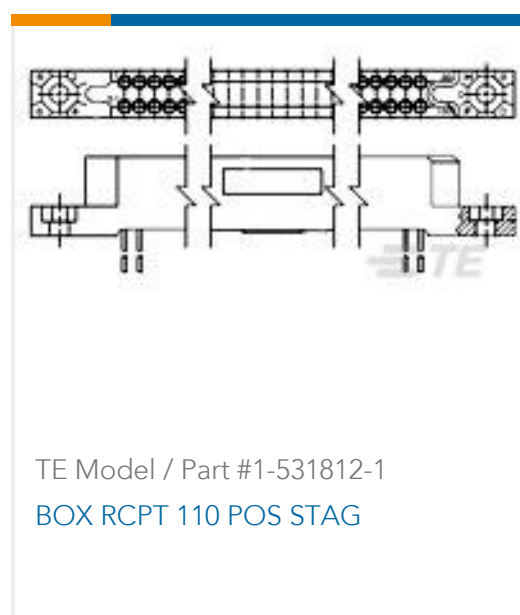
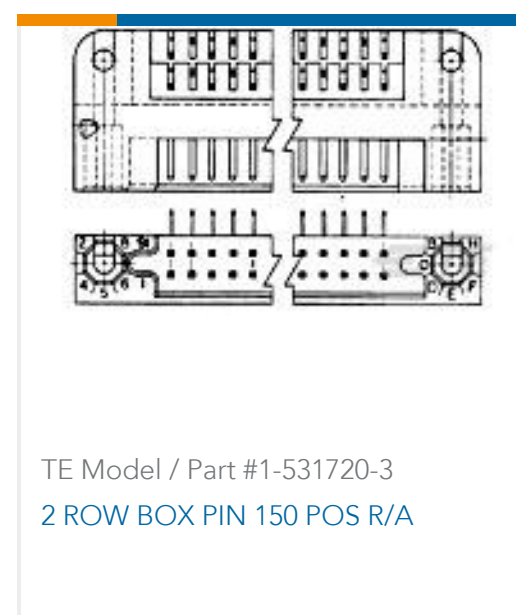
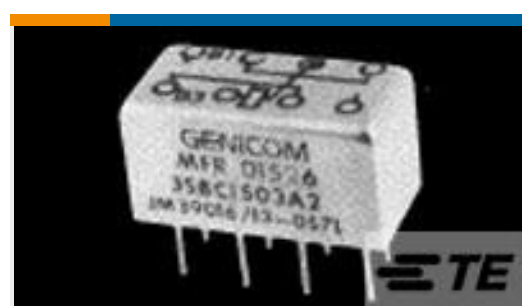


PCB Latches, Locks & Retainers(1)



Rectangular Power Connectors(87)

Customers Also Bought

TE Model / Part #868092-1
LGH-1 RECEPTACLETE Model / Part #1617120-6
J1MSW-5XP = M39016/10-017PTE Model / Part #3-646529-0
Z-PACK 2MM HM TYPE A/B 169PTE Model / Part #3-646346-0
2MM HM,ASY,T-D,HDR,8R,176P,APTE Model / Part #1604940-2
SHELL,BLANK,PIN,SZ 8,FR/FRTE Model / Part #1-531812-1
BOX RCPT 110 POS STAGTE Model / Part #2-1617036-9
HFW4A1231D00 = HFW4A RelayTE Model / Part #1-531720-3
2 ROW BOX PIN 150 POS R/ATE Model / Part #2-1617072-0
3SBC1501A2 = M39016/13-055LTE Model / Part #531813-2
BOX RECP 150 POS STAG

Documents

Product Drawings

[2MM HM,ASY,T-E,HDR,08R,200,AP](#)

English

CAD Files

[3D PDF](#)

[3D](#)

[Customer View Model](#)

[ENG_CVM_CVM_3-646347-0_F.2d_dxf.zip](#)



English

Customer View Model

[ENG_CVM_CVM_3-646347-0_F.3d_igs.zip](#)

English

Customer View Model

[ENG_CVM_CVM_3-646347-0_F.3d_stp.zip](#)

English

By downloading the CAD file I accept and agree to the [Terms and Conditions](#) of use.

Product Specifications

[Application Specification](#)

English