

3-5175475-8 ✓ ACTIVE

CHAMP | CHAMP .050 Series I

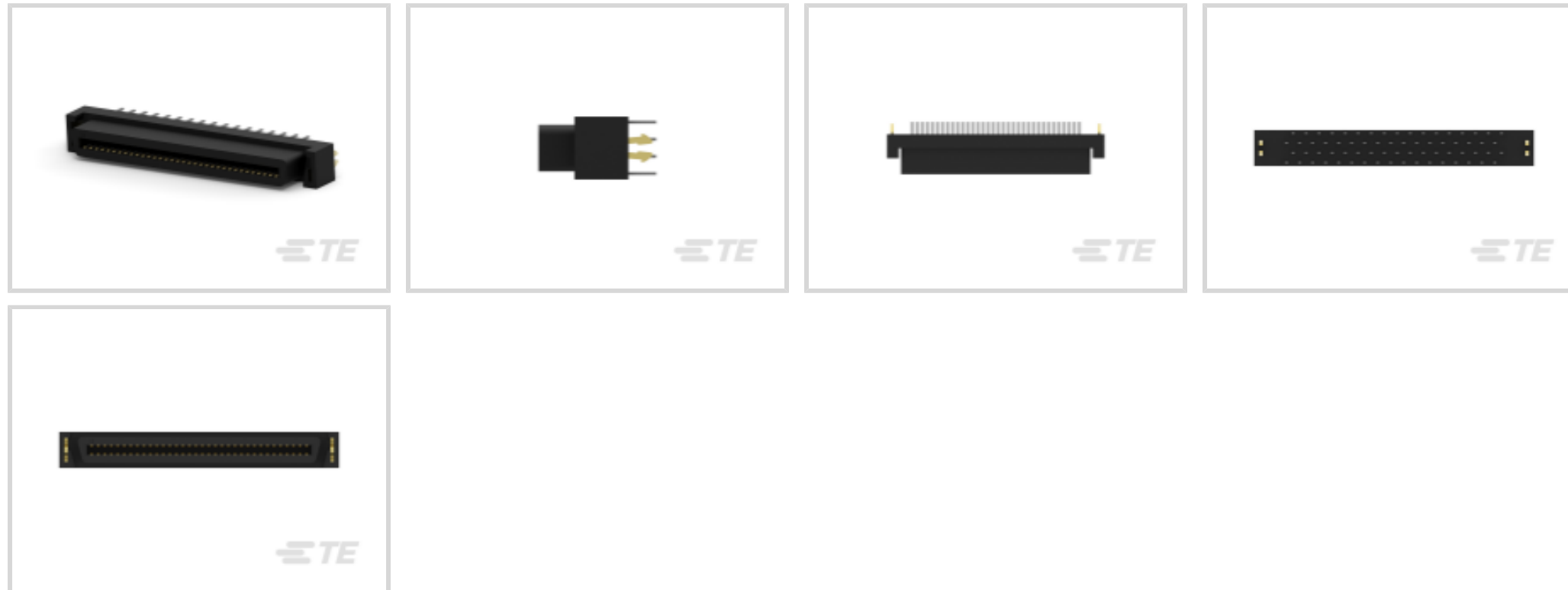
TE Internal #: 3-5175475-8

PCB Mount Receptacle, Vertical, Board-to-Board, 68 Position, 1.27 mm [.05 in] Centerline, Gold, Through Hole - Solder, Signal, CHAMP .050 Series I

[View on TE.com >](#)



Connectors > PCB Connectors > PCB Headers & Receptacles



PCB Connector Assembly Type: **PCB Mount Receptacle**

PCB Mount Orientation: **Vertical**

Connector System: **Board-to-Board**

Number of Positions: **68**

Centerline (Pitch): **1.27 mm [.05 in]**

## Features

### Product Type Features

PCB Connector Assembly Type	PCB Mount Receptacle
Connector System	Board-to-Board
Sealable	No
Connector & Contact Terminates To	Printed Circuit Board

### Configuration Features

Stackable	No
PCB Mount Orientation	Vertical
Number of Positions	68

### Electrical Characteristics

Insulation Resistance	1 M $\Omega$
Operating Voltage	250 VAC

### Body Features

PCB Retention Feature Material	Brass
PCB Retention Feature Plating Material	Tin over Nickel



Connector Profile	Standard
-------------------	----------

### Contact Features

PCB Contact Termination Area Plating Material Thickness	1 $\mu$ m[39.4 $\mu$ in]
Contact Layout	Inline
Mating Tab Width	.8 mm[.031 in]
Mating Tab Thickness	.32 mm[.013 in]
Contact Shape & Form	Single Tine, Square
PCB Contact Termination Area Plating Material	Tin
Contact Base Material	Phosphor Bronze
Contact Mating Area Plating Material	Gold
Contact Mating Area Plating Material Thickness	.5 $\mu$ m[19.7 $\mu$ in]
Contact Type	Socket
Contact Current Rating (Max)	1 A

### Termination Features

Rectangular Termination Post & Tail Thickness	.32 mm[.013 in]
Rectangular Termination Post & Tail Width	.5 mm[.02 in]
Termination Post & Tail Length	3.1 mm[.122 in]
Termination Method to Printed Circuit Board	Through Hole - Solder

### Mechanical Attachment

PCB Mount Retention Type	Boardlock, Retention Leg
Mating Alignment	With
Mating Alignment Type	Polarized
PCB Mount Retention	With
PCB Mount Alignment	Without
Connector Mounting Type	Board Mount

### Housing Features

Centerline (Pitch)	1.27 mm[.05 in]
Housing Material	Nylon - GF

### Dimensions

Connector Height	7 mm[.275 in]
	.5 in

### Usage Conditions



Operating Temperature Range	-55 – 85 °C[-67 – 185 °F]
-----------------------------	---------------------------

### Operation/Application

Circuit Application	Signal
---------------------	--------

### Industry Standards

UL Flammability Rating	UL 94V-0
------------------------	----------

### Packaging Features

Packaging Quantity	80
--------------------	----

Packaging Method	Tray
------------------	------

### Product Compliance

[For compliance documentation, visit the product page on TE.com>](#)

EU RoHS Directive 2011/65/EU	Compliant
------------------------------	-----------

EU ELV Directive 2000/53/EC	Compliant
-----------------------------	-----------

China RoHS 2 Directive MIIT Order No 32, 2016	No Restricted Materials Above Threshold
---	---

EU REACH Regulation (EC) No. 1907/2006	Current ECHA Candidate List: JUNE 2024 (241) Candidate List Declared Against: JUNE 2024 (241) Does not contain REACH SVHC
--	---

Halogen Content	Not Low Halogen - contains Br or Cl > 900 ppm.
-----------------	--

Solder Process Capability	Wave solder capable to 265°C
---------------------------	------------------------------

#### Product Compliance Disclaimer

This information is provided based on reasonable inquiry of our suppliers and represents our current actual knowledge based on the information they provided. This information is subject to change. The part numbers that TE has identified as EU RoHS compliant have a maximum concentration of 0.1% by weight in homogenous materials for lead, hexavalent chromium, mercury, PBB, PBDE, DBP, BBP, DEHP, DIBP, and 0.01% for cadmium, or qualify for an exemption to these limits as defined in the Annexes of Directive 2011/65/EU (RoHS2). Finished electrical and electronic equipment products will be CE marked as required by Directive 2011/65/EU. Components may not be CE marked. Additionally, the part numbers that TE has identified as EU ELV compliant have a maximum concentration of 0.1% by weight in homogenous materials for lead, hexavalent chromium, and mercury, and 0.01% for cadmium, or qualify for an exemption to these limits as defined in the Annexes of Directive 2000/53/EC (ELV). Regarding the REACH Regulation, the information TE provides on SVHC in articles for this part number is based on the latest European Chemicals Agency (ECHA) 'Guidance on requirements for substances in articles' posted at this URL: <https://echa.europa.eu/guidance-documents/guidance-on-reach>

### Compatible Parts



TE Part # 3-5175473-8  
CHAMP 050 B/B PLUG V W/LG 68P



TE Part # 3-5175473-9  
CHAMP 050 B/B PLUG V W/LG 80P



TE Part # 5175472-8  
CHAMP 050 B/B PLUG H W/LEG 68P



TE Part # 5175474-8  
CHAMP 050 B/B REC H W/LEG 68P



TE Part # 3-5175472-8  
CHAMP 050 B/B PLUG H W/LEG 68P



TE Part # 3-5175474-8  
CHAMP 050 B/B REC H W/LEG 68P



TE Part # 5175473-8  
CHAMP 050 B/B PLUG V W/LG 68P



TE Part # 5175475-8  
CHAMP 050 B/B V W/LEG 68P

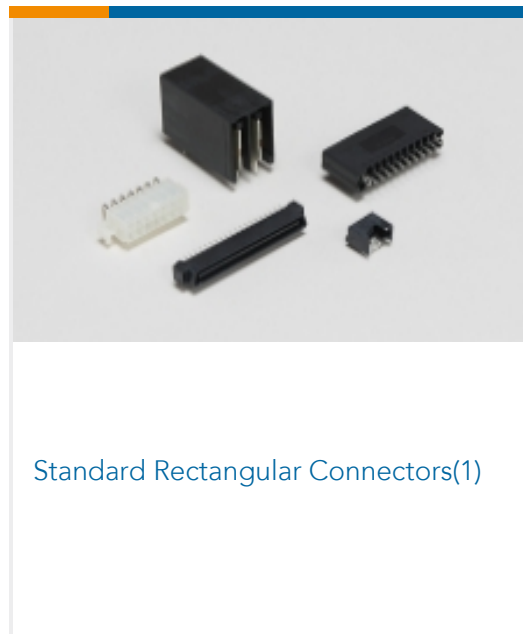
Also in the Series | CHAMP .050 Series I



IDC D-Sub Connectors(6)



PCB Headers & Receptacles(133)

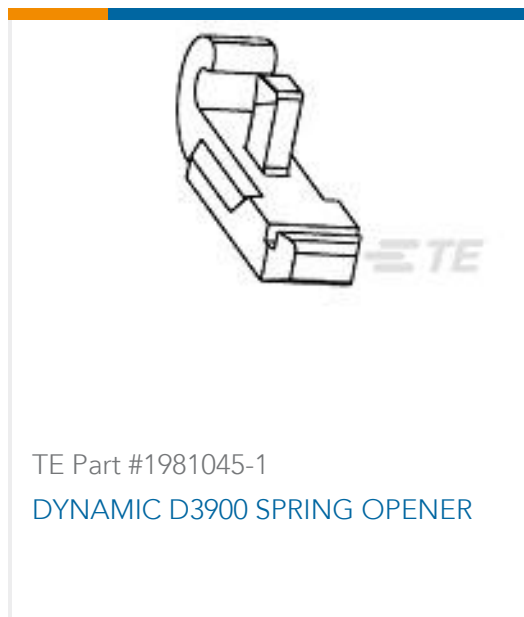


Standard Rectangular Connectors(1)

Customers Also Bought



TE Part #1-2271457-4  
Header Assembly: Wire-to-Board Connector, Spring Clamp, 7.5 mm pitch, 14.5A



TE Part #1981045-1  
DYNAMIC D3900 SPRING OPENER



TE Part #1-2229794-1  
D3950 REC 11POS 1ROW X KEY MARKED



TE Part #4-2013519-3  
DYNAMIC D3900 H-HDR ASSY 3P Y NATURAL



TE Part #9-2013519-0  
DYNAMIC D3900 H-HDR ASSY 7/10P Z TYPE-A



TE Part #1-2289080-2  
D3950 REC 11POS 1ROW X KEY WB



TE Part #3-5175472-1  
CHAMP 050 B-T-B PLUG H W/LEG 20P



TE Part #3-5175472-8  
CHAMP 050 B/B PLUG H W/LEG 68P



## Documents

### Product Drawings

[CHAMP 050 B/B REC V W/LEG 68P](#)

English

### CAD Files

[3D PDF](#)

English

[Customer View Model](#)

[ENG\\_CVM\\_3-5175475-8\\_O.2d\\_dxf.zip](#)

English

[Customer View Model](#)

[ENG\\_CVM\\_3-5175475-8\\_O.3d\\_igs.zip](#)

English

[Customer View Model](#)

[ENG\\_CVM\\_3-5175475-8\\_O.3d\\_stp.zip](#)

English

By downloading the CAD file I accept and agree to the [Terms and Conditions](#) of use.

### Product Specifications

[Product Specification](#)

English