

3-353294-8 ✓ ACTIVE

AMP Mini CT

TE Internal #: 3-353294-8

Holder, Natural, 38 Position, AMP Mini CT

[View on TE.com >](#)



Connectors > Connector Accessories > Connector Hardware



Hardware Accessory Function: **Mounting**

Connector Hardware Accessory Type: **Holder**

Primary Product Color: **Natural**

Number of Positions: **38**

Operating Temperature (Max): **105 °C [221 °F]**

Features

Product Type Features

Hardware Accessory Function	Mounting
Connector Hardware Accessory Type	Holder

Configuration Features

Number of Positions	38
---------------------	----

Body Features

Primary Product Color	Natural
-----------------------	---------

Housing Features

Centerline (Pitch)	1.5 mm [.059 in]
--------------------	------------------

Usage Conditions

Operating Temperature (Max)	105 °C [221 °F]
Operating Temperature Range	-30 – 105 °C [-22 – 221 °F]

Industry Standards

UL Flammability Rating	UL 94V-0
------------------------	----------

Packaging Features

Packaging Quantity	300
Packaging Method	Box

Product Compliance

[For compliance documentation, visit the product page on TE.com>](#)

EU RoHS Directive 2011/65/EU	Compliant
EU ELV Directive 2000/53/EC	Compliant
China RoHS 2 Directive MIIT Order No 32, 2016	No Restricted Materials Above Threshold
EU REACH Regulation (EC) No. 1907/2006	Current ECHA Candidate List: JUNE 2023 (235) Candidate List Declared Against: JUNE 2023 (235) Does not contain REACH SVHC
Halogen Content	Low Halogen - Br, Cl, F, I < 900 ppm per homogenous material. Also BFR/CFR/PVC Free
Solder Process Capability	Not applicable for solder process capability

Product Compliance Disclaimer

This information is provided based on reasonable inquiry of our suppliers and represents our current actual knowledge based on the information they provided. This information is subject to change. The part numbers that TE has identified as EU RoHS compliant have a maximum concentration of 0.1% by weight in homogenous materials for lead, hexavalent chromium, mercury, PBB, PBDE, DBP, BBP, DEHP, DIBP, and 0.01% for cadmium, or qualify for an exemption to these limits as defined in the Annexes of Directive 2011/65/EU (RoHS2). Finished electrical and electronic equipment products will be CE marked as required by Directive 2011/65/EU. Components may not be CE marked. Additionally, the part numbers that TE has identified as EU ELV compliant have a maximum concentration of 0.1% by weight in homogenous materials for lead, hexavalent chromium, and mercury, and 0.01% for cadmium, or qualify for an exemption to these limits as defined in the Annexes of Directive 2000/53/EC (ELV). Regarding the REACH Regulation, the information TE provides on SVHC in articles for this part number is based on the latest European Chemicals Agency (ECHA) 'Guidance on requirements for substances in articles' posted at this URL: <https://echa.europa.eu/guidance-documents/guidance-on-reach>

Compatible Parts



TE Part # CAT-AM7053-C7671
Mini Common Termination Contacts



TE Part # 3-292208-8
MINI CT D/R DIP 38P V NAT




TE Part # 1-353293-9
MINI CT MT REC ASSY 19P GRAY



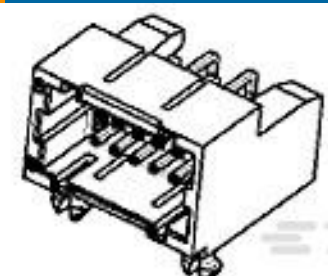
TE Part # 1-353293-3
MINI CT MT REC ASSY 13P GRAY



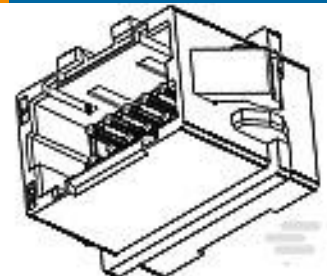
TE Part # 3-292216-8
MINI CT D/R RELAY 38P V NAT



TE Part # 3-292229-8
1.5 MINI CT D/R SMT 38P V ONTA



TE Part # 3-292262-8
DBL ROW (H) DIP TYPE WITH BOAR



TE Part # 8-292216-8
MINI CT D/R RELAY 38P V BLUE

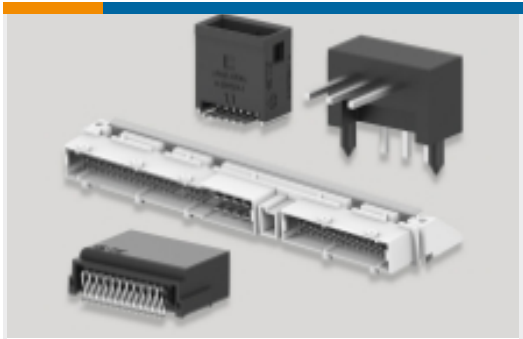
Also in the Series | AMP Mini CT



Connector Contacts(4)



Connector Hardware(10)



PCB Headers & Receptacles(332)

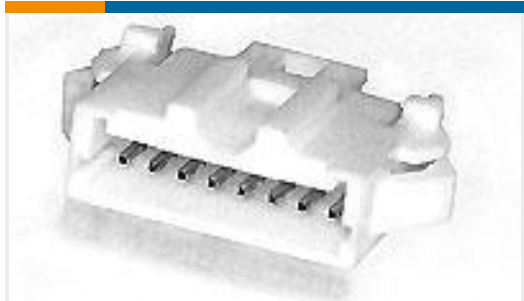


Wire-to-Board Connector Assemblies & Housings(172)

Customers Also Bought



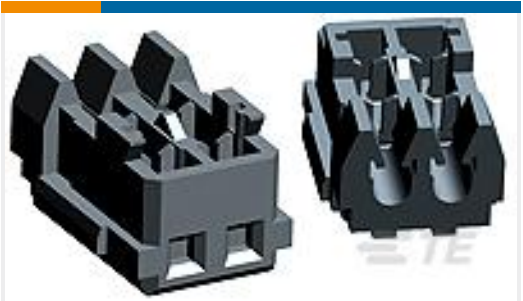
TE Part #1-179958-6
DYNAMIC D-5 REC HSG X SGL ROW



TE Part #292215-3
MINI CT SGL RELAY 3P NAT



TE Part #3-353294-2
AMP MINI D/R HDR HSG 32P NATU



TE Part #7-353293-0
MINI CT MT REC ASSY 20P BLUR



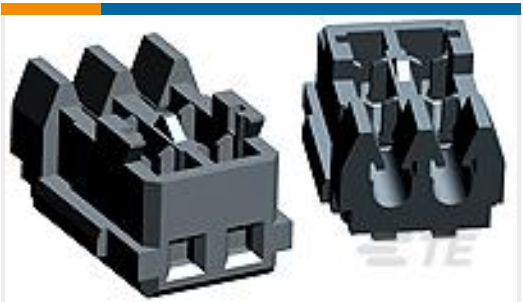
TE Part #3-292234-0
1.5 MINI CT DC DRAWER PLUG ASS



TE Part #2-1674755-0
REC ASSY FOR MINI CT HYBIRD DR



TE Part #3-179228-2
CT CRIMP-2 REC HSG 12P BLUE



TE Part #6-353293-4
MINI CT MT REC ASSY 14P BLUR



TE Part #292254-4
CT RELAY HDR ASSY 4P NAT



TE Part #8-292112-4
MT REC ASSY (#26,28)

Documents

Product Drawings

[AMP MINI D/R HDR HSG 38P NATU](#)

English

CAD Files

[Customer View Model](#)

[ENG_CVM_3-353294-8_E.3d_stp.zip](#)

English

[Customer View Model](#)



[ENG_CVM_3-353294-8_E.2d_dxf.zip](#)

English

Customer View Model

[ENG_CVM_3-353294-8_E.3d_igs.zip](#)

English

3D PDF

English

By downloading the CAD file I accept and agree to the [Terms and Conditions](#) of use.

Product Specifications

Application Specification

English