

3-352009-0 ✓ ACTIVE

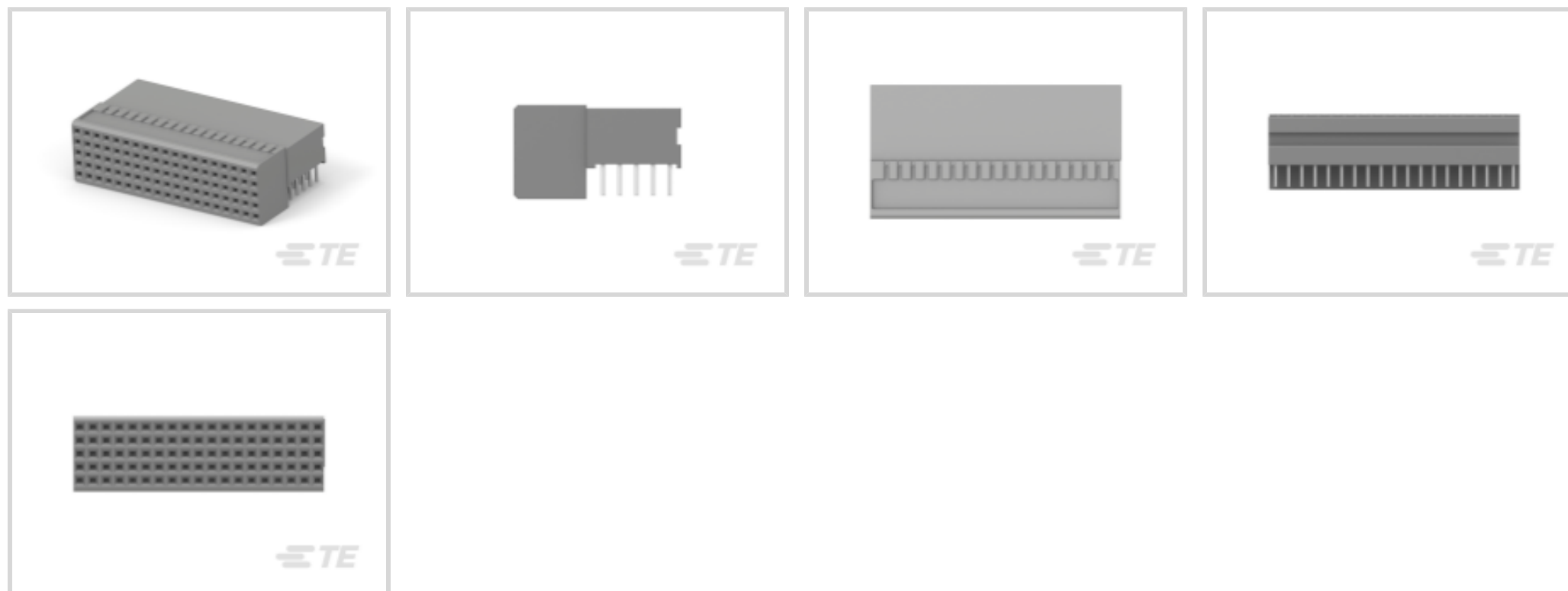
TE Internal #: 3-352009-0

Hard Metric Backplane Connectors, PCB Mount Header,  $\leq 1$  Gb/s,  
19 Column, 5 Row, Board-to-Board, 95 Position, 2mm Centerline,  
Vertical

[View on TE.com >](#)



Connectors > PCB Connectors > Backplane Connectors > Hard Metric Connectors



PCB Connector Assembly Type: **PCB Mount Header**

Data Rate:  $\leq 1$  Gb/s

Number of Columns: **19**

Number of Rows: **5**

Connector System: **Board-to-Board**

## Features

### Product Type Features

PCB Connector Assembly Type	PCB Mount Header
Connector System	Board-to-Board
Sealable	No
Connector & Contact Terminates To	Printed Circuit Board

### Configuration Features

Number of Columns	19
Number of Rows	5
Number of Positions	95
PCB Mount Orientation	Vertical

### Signal Characteristics

Data Rate	$\leq 1$ Gb/s
-----------	---------------

### Contact Features

CompactPCI Designation	P3
Contact Mating Area Plating Material	Gold



Contact Current Rating (Max)	1.5 A
------------------------------	-------

### Mechanical Attachment

Connector Mounting Type	Board Mount
-------------------------	-------------

### Housing Features

Centerline (Pitch)	2 mm
--------------------	------

Housing Color	Gray
---------------	------

### Usage Conditions

Operating Temperature Range	-55 – 125 °C
-----------------------------	--------------

### Operation/Application

Circuit Application	Power & Signal
---------------------	----------------

### Industry Standards

AdvancedTCA Specified Product	No
-------------------------------	----

### Packaging Features

Packaging Method	Tube
------------------	------

## Product Compliance

[For compliance documentation, visit the product page on TE.com>](#)

EU RoHS Directive 2011/65/EU	Not Compliant
------------------------------	---------------

EU ELV Directive 2000/53/EC	Not Compliant
-----------------------------	---------------

China RoHS 2 Directive MIIT Order No 32, 2016	Restricted Materials Above Threshold
---	--------------------------------------

EU REACH Regulation (EC) No. 1907/2006	Current ECHA Candidate List: JUN 2020 (209) Candidate List Declared Against: JUL 2017 (174) Does not contain REACH SVHC
--	---

Halogen Content	Not Low Halogen - contains Br or Cl > 900 ppm.
-----------------	--

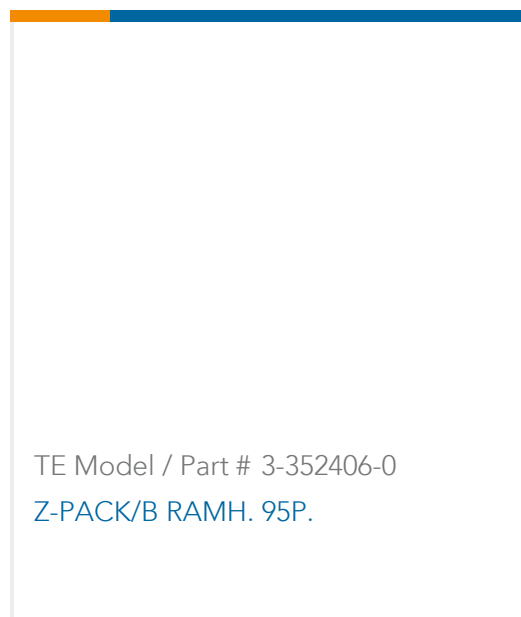
Solder Process Capability	Not applicable for solder process capability
---------------------------	--

#### Product Compliance Disclaimer

This information is provided based on reasonable inquiry of our suppliers and represents our current actual knowledge based on the information they provided. This information is subject to change. The part numbers that TE has identified as EU RoHS compliant have a maximum concentration of 0.1% by weight in homogenous materials for lead, hexavalent chromium, mercury, PBB, PBDE, DBP, BBP, DEHP, DIBP, and 0.01% for cadmium, or qualify for an exemption to these limits as defined in the Annexes of Directive 2011/65/EU (RoHS2). Finished electrical and electronic equipment products will be CE marked as required by Directive 2011/65/EU. Components may not be CE marked. Additionally, the part numbers that TE has identified as EU ELV compliant have a maximum concentration of 0.1% by weight in homogenous materials for lead, hexavalent chromium, and mercury, and 0.01% for cadmium, or qualify for an exemption to these limits

as defined in the Annexes of Directive 2000/53/EC (ELV). Regarding the REACH Regulations, TE's information on SVHC in articles for this part number is still based on the European Chemical Agency (ECHA) 'Guidance on requirements for substances in articles' (Version: 2, April 2011), applying the 0.1% weight on weight concentration threshold at the finished product level. TE is aware of the European Court of Justice ruling of September 10th, 2015 also known as O5A (Once An Article Always An Article) stating that, in case of 'complex object', the threshold for a SVHC must be applied to both the product as a whole and simultaneously to each of the articles forming part of its composition. TE has evaluated this ruling based on the new ECHA "Guidance on requirements for substances in articles" (June 2017, version 4.0) and will be updating its statements accordingly.

## Compatible Parts



TE Model / Part # 3-352406-0  
Z-PACK/B RAMH. 95P.



TE Model / Part # 354687-1  
2MM HM & 2MM FB REPAIR HAND TL

## Customers Also Bought



TE Model / Part #521384-8  
ASSY PL R/A RAST5 HEADER 08-D



TE Model / Part #2102098-2  
Fortis Zd 2Pr 20Col Vert Cent Mod Assy



TE Model / Part #2-208224-3  
CPC RECPT ASSEMBLY SIZE 23-37



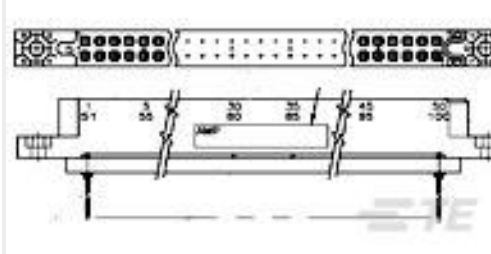
TE Model / Part #2102087-2  
Fortis Zd 2Pr 10Col R/A Cent Module Assy



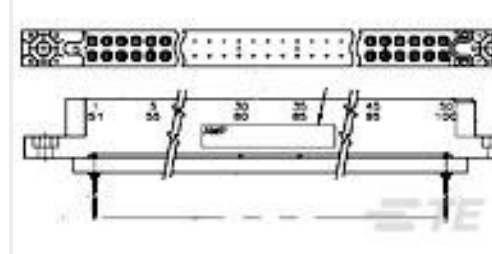
TE Model / Part #2102093-2  
Fortis Zd 2Pr 10Col Vert Cent Mod Assy



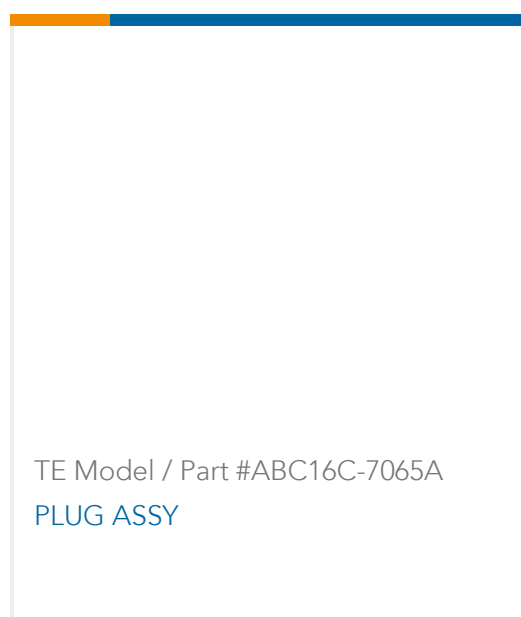
TE Model / Part #213780-3  
CPC RECPT ASSEMBLY SIZE 23-24



TE Model / Part #534650-2  
BOX RECP 40 POS STAG SEALED



TE Model / Part #534650-9  
BOX RECP 110 POS STAG SEALED



TE Model / Part #ABC16C-7065A  
PLUG ASSY



TE Model / Part #626177-000  
D-704-0062

## Documents



## Product Drawings

### Z-PACK/B F-HDR. 95P

English

---

## CAD Files

### 3D PDF

3D

#### Customer View Model

[ENG\\_CVM\\_CVM\\_3-352009-0\\_D.2d\\_dxf.zip](#)

English

#### Customer View Model

[ENG\\_CVM\\_CVM\\_3-352009-0\\_D.3d\\_igs.zip](#)

English

#### Customer View Model

[ENG\\_CVM\\_CVM\\_3-352009-0\\_D.3d\\_stp.zip](#)

English

By downloading the CAD file I accept and agree to the [Terms and Conditions](#) of use.

---

## Product Specifications

### Application Specification

English