



AMP Mini CT Lattice

TE Internal #: 3-292248-4

Standard Rectangular Connectors, Connector Kit, Plug, Mating Alignment, Polarization Mating Alignment Type, Spring Terminal, AMP Mini CT Lattice

[View on TE.com >](#)

Connectors > Rectangular Connectors > Standard Rectangular Connectors



Connector Product Type: **Connector Kit**

Connector & Housing Type: **Plug**

Mating Alignment: **With**

Mating Alignment Type: **Polarization**

Mating Retention: **Without**

Features

Product Type Features

Connector Product Type	Connector Kit
Connector & Housing Type	Plug
Connector System	Cable-to-Cable
Sealable	No
Connector & Contact Terminates To	Wire & Cable

Configuration Features

Number of Positions	18
Number of Rows	2

Electrical Characteristics

Operating Voltage	250 VAC
-------------------	---------

Body Features

Connector & Keying Code	B
-------------------------	---

Contact Features

Wire Contact Termination Area Plating Material	Tin
Contact Mating Area Plating Material	Gold

Termination Features

Termination Method to Wire & Cable	Spring Terminal
------------------------------------	-----------------



Mechanical Attachment

Mating Alignment	With
Mating Alignment Type	Polarization
Mating Retention	Without
Connector Mounting Type	Cable Mount (Free-Hanging)

Housing Features

Housing Color	Gray
Centerline (Pitch)	1.5 mm, 4.36 mm [.059 in] [.171 in]

Dimensions

Row-to-Row Spacing	4 mm, 5.6 mm
--------------------	--------------

Usage Conditions

Operating Temperature Range	-30 – 105 °C [-22 – 221 °F]
-----------------------------	-----------------------------

Operation/Application

Shielded	No
Circuit Application	Power & Signal

Industry Standards

UL Flammability Rating	UL 94HB, UL 94V-0
------------------------	-------------------

Packaging Features

Packaging Quantity	160
Packaging Method	Box

Product Compliance

[For compliance documentation, visit the product page on TE.com>](#)

EU RoHS Directive 2011/65/EU	Compliant
EU ELV Directive 2000/53/EC	Compliant
China RoHS 2 Directive MIIT Order No 32, 2016	No Restricted Materials Above Threshold
EU REACH Regulation (EC) No. 1907/2006	Current ECHA Candidate List: JUNE 2024 (241) Candidate List Declared Against: JUNE 2022 (224) Does not contain REACH SVHC
Halogen Content	Low Halogen - Br, Cl, F, I < 900 ppm per homogenous material. Also BFR/CFR/PVC Free

Solder Process Capability

Not applicable for solder process capability

Product Compliance Disclaimer

This information is provided based on reasonable inquiry of our suppliers and represents our current actual knowledge based on the information they provided. This information is subject to change. The part numbers that TE has identified as EU RoHS compliant have a maximum concentration of 0.1% by weight in homogenous materials for lead, hexavalent chromium, mercury, PBB, PBDE, DBP, BBP, DEHP, DIBP, and 0.01% for cadmium, or qualify for an exemption to these limits as defined in the Annexes of Directive 2011/65/EU (RoHS2). Finished electrical and electronic equipment products will be CE marked as required by Directive 2011/65/EU. Components may not be CE marked. Additionally, the part numbers that TE has identified as EU ELV compliant have a maximum concentration of 0.1% by weight in homogenous materials for lead, hexavalent chromium, and mercury, and 0.01% for cadmium, or qualify for an exemption to these limits as defined in the Annexes of Directive 2000/53/EC (ELV). Regarding the REACH Regulation, the information TE provides on SVHC in articles for this part number is based on the latest European Chemicals Agency (ECHA) 'Guidance on requirements for substances in articles' posted at this URL: <https://echa.europa.eu/guidance-documents/guidance-on-reach>

Compatible Parts



TE Part # CAT-AM7053-C7671
Mini Common Termination Contacts



TE Part # 3-353293-4
1.5MM CT MT REC ASSY 14P BLACK

Also in the Series | AMP Mini CT Lattice

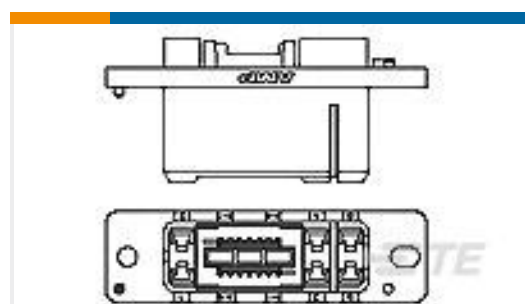


Connector Contacts(2)

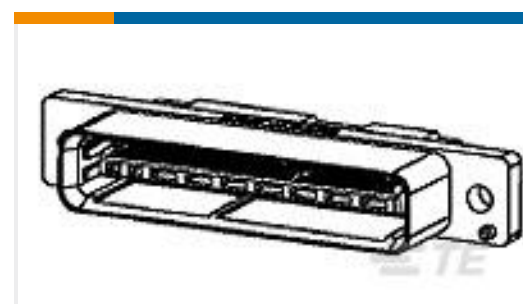


Standard Rectangular Connectors(14)

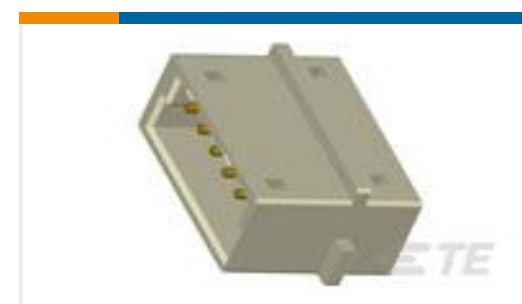
Customers Also Bought



TE Part #1-292186-2
REC ASS'Y OF HYB DRAWER 18P



TE Part #6-292233-0
1.5 MINI CT DRAWER 60P PLUG



TE Part #2-292156-2
CT RELAY HDR ASSY FREE HANGING



TE Part #4-292254-2
CT RELAY HDR ASSY 2P YELLOW



TE Part #84727-1
1.5 MINI CT CRIMP CONTACT



TE Part #4-292246-2
1.5 MINI CT LATTICE REC KEY B



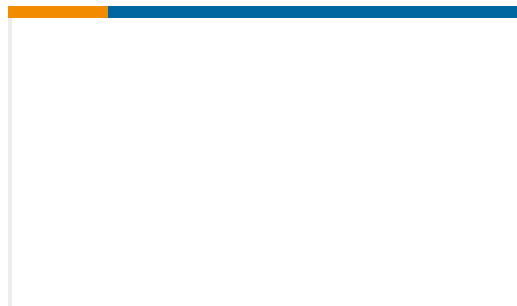
TE Part #2-353293-2
1.5MM CT MT REC ASS'Y 2P BLACK



TE Part #2-292215-9
MINI CT SGL RELAY 9P BLACK



TE Part #3-292215-3
MINI CT SGL RELAY 13P BLACK



TE Part #8-292155-5
SGL HDR PANEL MOUNT ASSY

Documents

Product Drawings

1.5 MINI CT LATTICE CABLE KIT

English

CAD Files

Customer View Model

[ENG_CVM_3-292248-4_A.3d_igs.zip](#)

English

Customer View Model

[ENG_CVM_3-292248-4_A.3d_stp.zip](#)

English

Customer View Model

[ENG_CVM_3-292248-4_A.2d_dxf.zip](#)

English

3D PDF

English

By downloading the CAD file I accept and agree to the [Terms and Conditions](#) of use.

Product Specifications

Application Specification

English

AMP Mini CT Hybrid Lattice Connector

English