

3-292215-1 ✓ ACTIVE

TE Internal #: 3-292215-1

Connector Assembly, Plug to Plug Relay Header, Wire-to-Panel, 11

Position, 1.5 mm [.059 in] Centerline, 1 Row, Black, Mating

Retention, Wire & Cable

[View on TE.com >](#)



Connectors > PCB Connectors > Wire-to-Board Connectors > Wire-to-Board Connector Assemblies & Housings



Connector Product Type: Connector Assembly

Connector & Housing Type: Plug to Plug Relay Header

Connector System: Wire-to-Panel

Number of Positions: 11

Centerline (Pitch): 1.5 mm [.059 in]

Features

Product Type Features

Connector Product Type	Connector Assembly
Connector & Housing Type	Plug to Plug Relay Header
Connector System	Wire-to-Panel
Sealable	No
Connector & Contact Terminates To	Wire & Cable

Configuration Features

Number of Positions	11
Number of Rows	1

Contact Features

Contact Layout	Inline
Contact Type	Pin
Wire Contact Termination Area Plating Thickness	1 – 2.5 µm
Wire Contact Termination Area Plating Material	Tin
Contact Current Rating (Max)	2 A



Mechanical Attachment

Mating Retention	With
Connector Mounting Type	Panel Mount

Housing Features

Centerline (Pitch)	1.5 mm[.059 in]
Housing Color	Black

Usage Conditions

Operating Temperature Range	-30 – 105 °C[-22 – 221 °F]
-----------------------------	----------------------------

Operation/Application

Circuit Application	Power & Signal
---------------------	----------------

Industry Standards

UL Flammability Rating	UL 94V-0
Agency/Standard	UL

Product Compliance

[For compliance documentation, visit the product page on TE.com>](#)

EU RoHS Directive 2011/65/EU	Compliant
EU ELV Directive 2000/53/EC	Compliant
China RoHS 2 Directive MIIT Order No 32, 2016	No Restricted Materials Above Threshold
EU REACH Regulation (EC) No. 1907/2006	Current ECHA Candidate List: JAN 2023 (233) Candidate List Declared Against: JAN 2023 (233) Does not contain REACH SVHC
Halogen Content	Low Halogen - Br, Cl, F, I < 900 ppm per homogenous material. Also BFR/CFR/PVC Free
Solder Process Capability	Not applicable for solder process capability

Product Compliance Disclaimer

This information is provided based on reasonable inquiry of our suppliers and represents our current actual knowledge based on the information they provided. This information is subject to change. The part numbers that TE has identified as EU RoHS compliant have a maximum concentration of 0.1% by weight in homogenous materials for lead, hexavalent chromium, mercury, PBB, PBDE, DBP, BBP, DEHP, DIBP, and 0.01% for cadmium, or qualify for an exemption to these limits as defined in the Annexes of Directive 2011/65/EU (RoHS2). Finished electrical and electronic equipment products will be CE marked as required by Directive 2011/65/EU. Components may not be CE marked. Additionally, the part numbers that TE has identified as EU ELV compliant have a maximum concentration of 0.1% by weight in homogenous materials for lead, hexavalent chromium, and mercury, and 0.01% for cadmium, or qualify for an exemption to these limits as defined in the Annexes of Directive 2000/53/EC (ELV). Regarding the REACH Regulation, the information TE provides on SVHC in articles for this part number is based on the latest European Chemicals Agency (ECHA) 'Guidance on

requirements for substances in articles' posted at this URL: <https://echa.europa.eu/guidance-documents/guidance-on-reach>

Compatible Parts



TE Part # 3-353293-1
1.5MM CT MT REC ASSY 11P BLACK

Customers Also Bought



TE Part #2-292132-4
CT P/HDR BOX V 4P BLUE



TE Part #3-640443-4
04P MTA100 CONN ASSY GRN



TE Part #2-179694-8
AMP COMMON TERMINATION HOUSINGS



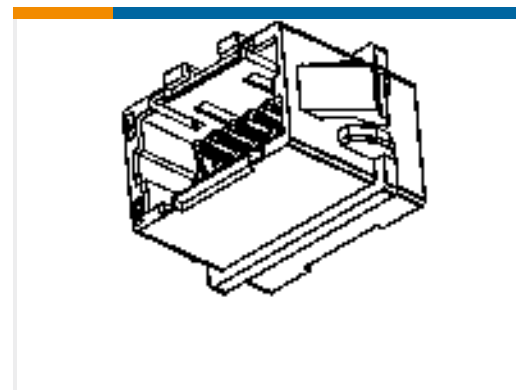
TE Part #2106135-4
Assembly, Free Hanging Plug, SLC, 4 pos



TE Part #292207-7
MINI CT SGL DIP V 7P NAT



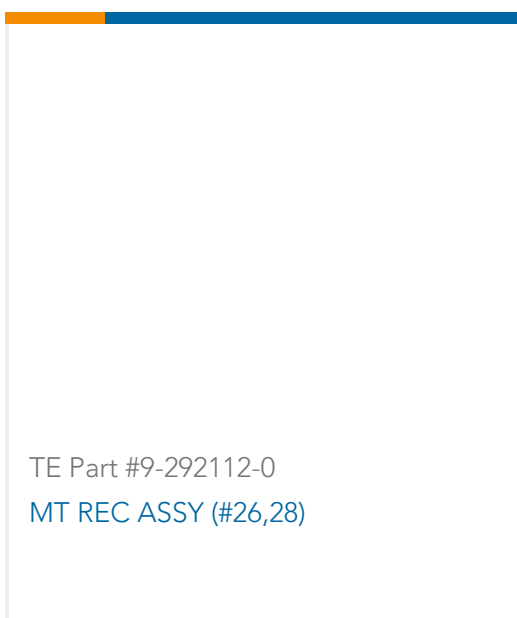
TE Part #179974-1
250 PL EX REC. 18-14AWG PTBR



TE Part #2-292216-6
MINI CT D/R RELAY 26P V NAT



TE Part #5-353293-6
MINI CT MT REC ASSY 6P BLUE



TE Part #9-292112-0
MT REC ASSY (#26,28)

Documents

Product Drawings

MINI CT SGL RELAY 11P BLACK

English



CAD Files

3D PDF

3D

Customer View Model

[ENG_CVM_CVM_3-292215-1_B.2d_dxf.zip](#)

English

Customer View Model

[ENG_CVM_CVM_3-292215-1_B.3d_igs.zip](#)

English

Customer View Model

[ENG_CVM_CVM_3-292215-1_B.3d_stp.zip](#)

English

By downloading the CAD file I accept and agree to the [Terms and Conditions](#) of use.

Datasheets & Catalog Pages

[6-1773454-5_AMP_Mini_CT_Connector_Series_QRG](#)

English

Product Specifications

[Application Specification](#)

English

Product Environmental Compliance

[MD_3-292215-1_06092016054_dmtec](#)

English

[MD_3-292215-1_06092016054_dmtec](#)

English