

3-2328823-1 ✓ ACTIVE

LUMAWISE | LUMAWISE Endurance S

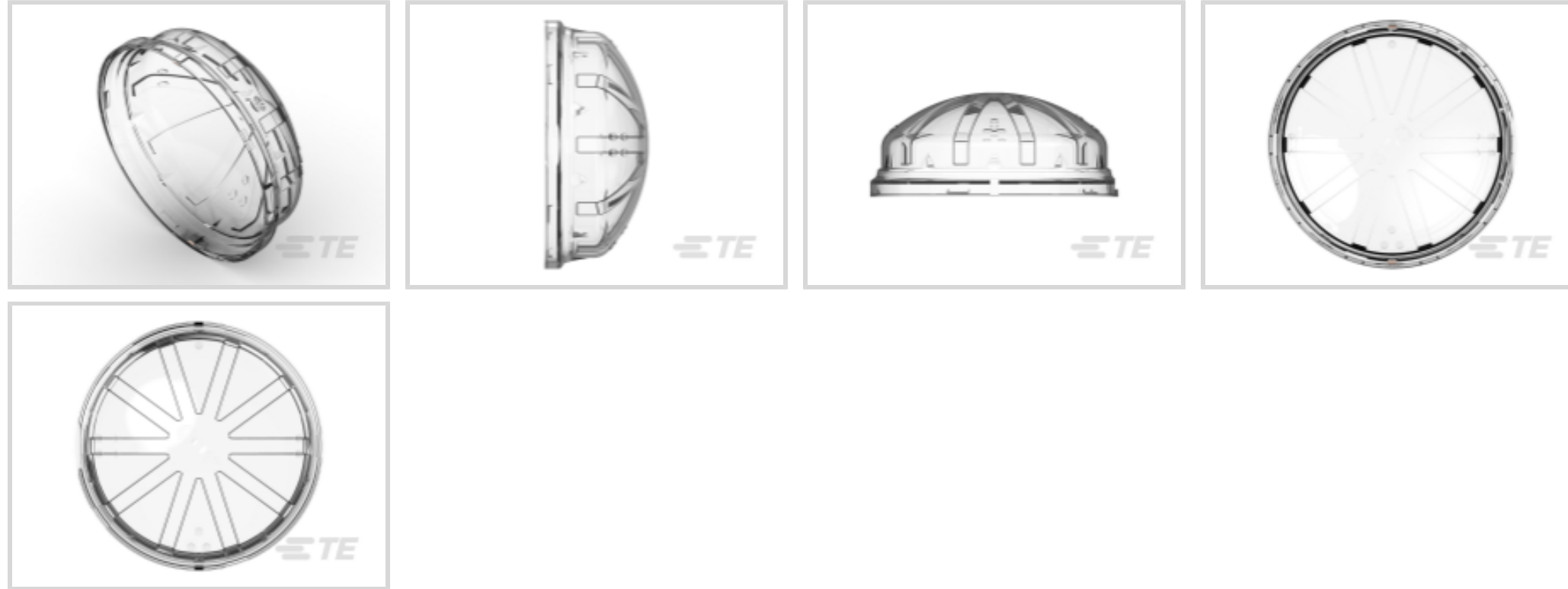
TE Internal #: 3-2328823-1

Connector, Natural, Height 33.43 mm, Keyed / Not Vented, Zhaga, 1 Position, Sealable, -40 – 90 °C, LUMAWISE Endurance S

[View on TE.com >](#)



Connectors > Lighting Connectors > Street Lighting Controls > Street Lighting Connectors



Lighting Product Type: **Connector**

Primary Product Color: **Natural**

Product Height: **33.43 mm**

Lighting Connector Features Included: **Keyed, Not Vented**

Compatible With Agency/Standards Products: **Zhaga**

Features

Product Type Features

| | |
|-----------------------|-----------|
| Lighting Product Type | Connector |
| Sealable | Yes |

Configuration Features

| | |
|--------------------------------------|-------------------|
| Lighting Connector Features Included | Keyed, Not Vented |
| Number of Positions | 1 |

Body Features

| | |
|-----------------------|---------|
| Primary Product Color | Natural |
|-----------------------|---------|

Dimensions

| | |
|------------------|----------|
| Product Diameter | 80 mm |
| Product Height | 33.43 mm |

Usage Conditions

| | |
|-----------------------------|-------------|
| Operating Temperature Range | -40 – 90 °C |
|-----------------------------|-------------|

Industry Standards

| | |
|-----------|------|
| IP Rating | IP66 |
|-----------|------|



Compatible With Agency/Standards Products

Zhaga

Product Compliance

[For compliance documentation, visit the product page on TE.com>](#)

| | |
|---|---|
| EU RoHS Directive 2011/65/EU | Compliant |
| EU ELV Directive 2000/53/EC | Compliant |
| China RoHS 2 Directive MIIT Order No 32, 2016 | No Restricted Materials Above Threshold |
| EU REACH Regulation (EC) No. 1907/2006 | Current ECHA Candidate List: JUNE 2023 (235) Candidate List Declared Against: JUNE 2023 (235) Does not contain REACH SVHC |
| Halogen Content | Low Halogen - Br, Cl, F, I < 900 ppm per homogenous material. Also BFR/CFR/PVC Free |
| Solder Process Capability | Not reviewed for solder process capability |

Product Compliance Disclaimer

This information is provided based on reasonable inquiry of our suppliers and represents our current actual knowledge based on the information they provided. This information is subject to change. The part numbers that TE has identified as EU RoHS compliant have a maximum concentration of 0.1% by weight in homogenous materials for lead, hexavalent chromium, mercury, PBB, PBDE, DBP, BBP, DEHP, DIBP, and 0.01% for cadmium, or qualify for an exemption to these limits as defined in the Annexes of Directive 2011/65/EU (RoHS2). Finished electrical and electronic equipment products will be CE marked as required by Directive 2011/65/EU. Components may not be CE marked. Additionally, the part numbers that TE has identified as EU ELV compliant have a maximum concentration of 0.1% by weight in homogenous materials for lead, hexavalent chromium, and mercury, and 0.01% for cadmium, or qualify for an exemption to these limits as defined in the Annexes of Directive 2000/53/EC (ELV). Regarding the REACH Regulation, the information TE provides on SVHC in articles for this part number is based on the latest European Chemicals Agency (ECHA) 'Guidance on requirements for substances in articles' posted at this URL: <https://echa.europa.eu/guidance-documents/guidance-on-reach>

Compatible Parts



Also in the Series | [LUMAWISE Endurance S](#)



Poke-In Connectors(1)



Street Lighting Connectors(35)



Street Lighting Power Management(5)

Customers Also Bought



TE Part #DT04-2P
REC, 2P, GRY, N



TE Part #DT06-2S
PLG, 2P, GRY, N



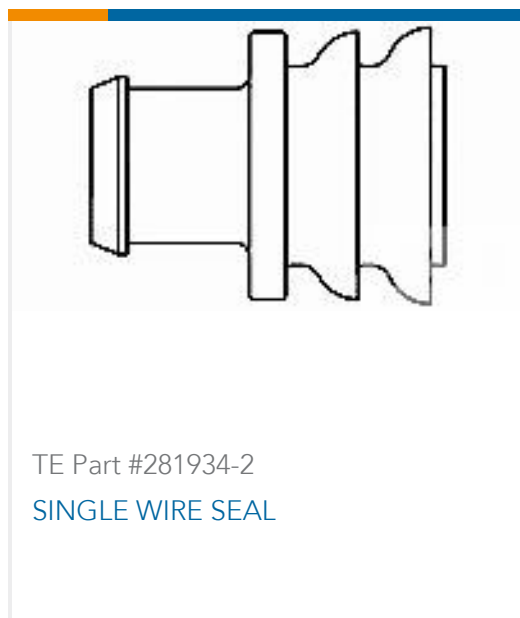
TE Part #W2S
Wedgelocks: DEUTSCH DT



TE Part #0462-201-16141
DEUTSCH Solid Contacts



TE Part #282104-1
AMP SUPERSEAL 1.5MM,
CONNECTOR HOUSING



TE Part #281934-2
SINGLE WIRE SEAL

Documents

Product Drawings

[LUMAWISE S 80MM DIA DOME CLEAR LOW](#)

English

CAD Files

[3D PDF](#)

3D

Customer View Model

[ENG_CVM_CVM_3-2328823-1_C.2d_dxf.zip](#)

English

Customer View Model

[ENG_CVM_CVM_3-2328823-1_C.3d_igs.zip](#)

English

Customer View Model

[ENG_CVM_CVM_3-2328823-1_C.3d_stp.zip](#)

English

By downloading the CAD file I accept and agree to the [Terms and Conditions](#) of use.



Product Specifications

Application Specification

English

Agency Approvals

[UL_EU_CERT_EN_61984_UL_EU_01778_M1_C1](#)

English

[CB_CERT_US_34131_M1_UL_4788988643_TR_C1](#)

English

[CB_CERT_IEC_61984_US_34131_M1_UL_C1](#)

English