

3-2271101-1 ✓ ACTIVE

TE Internal #: 3-2271101-1

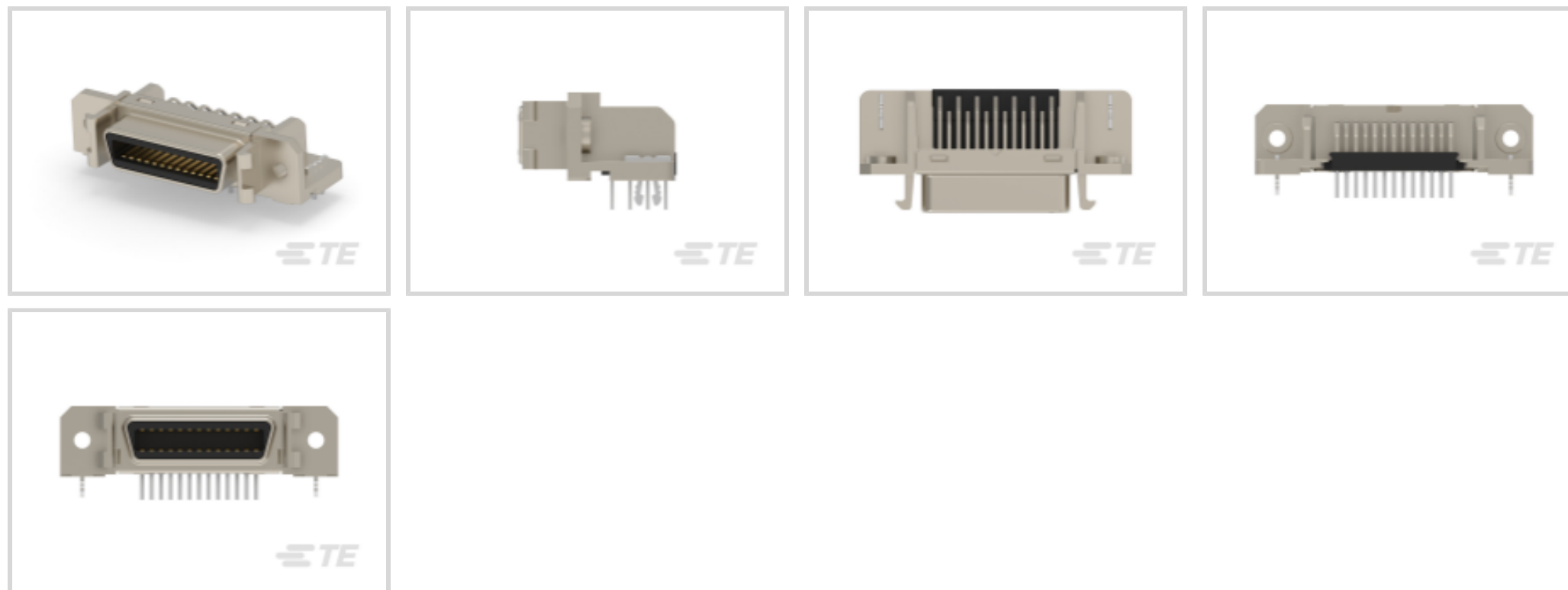
Solder D-Sub Connectors, Receptacle, 26 Position, .05 in [1.27 mm]

Centerline, Printed Circuit Board, -67 – 221 °F [-55 – 105 °C]

[View on TE.com >](#)



Connectors > D-Shaped Connectors > D-Sub Connectors > Solder D-Sub Connectors



Connector & Housing Type: **Receptacle**

Number of Positions: **26**

Centerline (Pitch): **1.27 mm [.05 in]**

Connector & Contact Terminates To: **Printed Circuit Board**

Contact Current Rating (Max): **1 A**

Features

Product Type Features

Shell Material Configuration	Full Metal Shell
Connector & Housing Type	Receptacle
Connector & Contact Terminates To	Printed Circuit Board

Configuration Features

Number of Positions	26
---------------------	----

Body Features

Primary Product Color	Black
-----------------------	-------

Contact Features

Contact Options	Installed
Contact Type	Pin
Contact Mating Area Plating Material Thickness	.3 μ m[11.8 μ in]
Contact Mating Area Plating Material	Gold
Contact Underplating Material	Nickel
PCB Contact Termination Area Plating Material	Tin
Contact Base Material	Copper Alloy



Contact Current Rating (Max)	1 A
------------------------------	-----

Termination Features

Termination Method to Wire & Cable	Solder
------------------------------------	--------

Mechanical Attachment

PCB Mount Retention Type	Retention Leg
--------------------------	---------------

Housing Features

Shell Material	Steel
----------------	-------

Housing Material	Thermoplastic
------------------	---------------

Centerline (Pitch)	1.27 mm [.05 in]
--------------------	------------------

Usage Conditions

Operating Temperature Range	-55 – 105 °C [-67 – 221 °F]
-----------------------------	-----------------------------

Industry Standards

UL Flammability Rating	UL 94V-0
------------------------	----------

Packaging Features

Packaging Method	Tray
------------------	------

Product Compliance

[For compliance documentation, visit the product page on TE.com>](#)

EU RoHS Directive 2011/65/EU	Compliant
------------------------------	-----------

EU ELV Directive 2000/53/EC	Compliant
-----------------------------	-----------

China RoHS 2 Directive MIIT Order No 32, 2016	No Restricted Materials Above Threshold
---	---

EU REACH Regulation (EC) No. 1907/2006	Current ECHA Candidate List: JUNE 2024 (241) Candidate List Declared Against: JUNE 2023 (235) Does not contain REACH SVHC
--	---

Halogen Content	Not Low Halogen - contains Br or Cl > 900 ppm.
-----------------	--

Solder Process Capability	Not reviewed for solder process capability
---------------------------	--

Product Compliance Disclaimer

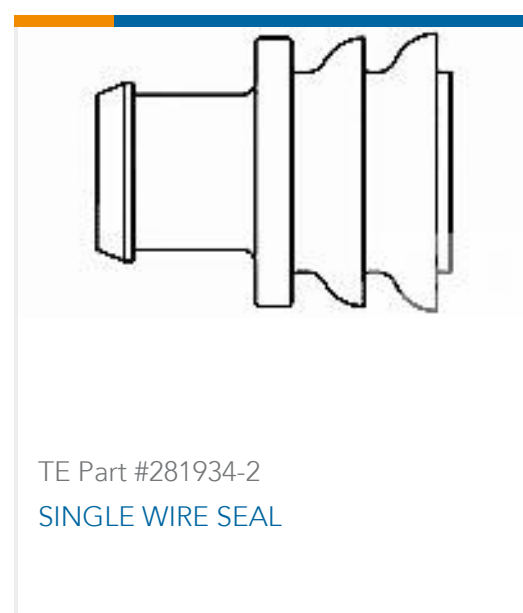
This information is provided based on reasonable inquiry of our suppliers and represents our current actual knowledge based on the information they provided. This information is subject to change. The part numbers that TE has identified as EU RoHS compliant have a maximum concentration of 0.1% by weight in homogenous materials for lead, hexavalent chromium, mercury, PBB, PBDE, DBP, BBP, DEHP, DIBP, and 0.01% for cadmium, or qualify for an exemption to these limits as defined in the Annexes of Directive 2011/65/EU (RoHS2). Finished electrical and electronic equipment products will be CE marked as required by Directive 2011/65/EU. Components may not be CE marked. Additionally, the part

numbers that TE has identified as EU ELV compliant have a maximum concentration of 0.1% by weight in homogenous materials for lead, hexavalent chromium, and mercury, and 0.01% for cadmium, or qualify for an exemption to these limits as defined in the Annexes of Directive 2000/53/EC (ELV). Regarding the REACH Regulation, the information TE provides on SVHC in articles for this part number is based on the latest European Chemicals Agency (ECHA) 'Guidance on requirements for substances in articles' posted at this URL: <https://echa.europa.eu/guidance-documents/guidance-on-reach>

Compatible Parts



Customers Also Bought



Documents

Product Drawings

[SCSi .050 REC ASS'Y 26P PB-FRE](#)

English

CAD Files

[3D PDF](#)

3D

Customer View Model

[ENG_CVM_CVM_3-2271101-1_A.2d_dxf.zip](#)

English



Customer View Model

[ENG_CVM_CVM_3-2271101-1_A.3d_igs.zip](#)

English

Customer View Model

[ENG_CVM_CVM_3-2271101-1_A.3d_stp.zip](#)

English

By downloading the CAD file I accept and agree to the [Terms and Conditions](#) of use.

Product Specifications

[Application Specification](#)

English