

3-2098922-3 ✓ ACTIVE



## Generation Y Connector System

TE Internal #: 3-2098922-3

Housing for Female Terminals, Wire-to-Device / Wire-to-Board, 54 Position, .1 in [2.54 mm] Centerline, Sealable, Yellow, Generation Y Connector System

[View on TE.com >](#)

Connectors > Automotive Connectors > Automotive Housings



Connector System: **Wire-to-Board, Wire-to-Device**

Number of Positions: **54**

Connector & Housing Type: **Housing for Female Terminals**

Centerline (Pitch): **2.54 mm [.1 in]**

Sealable: **Yes**

### Features

#### Product Type Features

Mixed & Hybrid Connector	No
Connector Shape	Rectangular
Connector System	Wire-to-Board, Wire-to-Device
Connector & Housing Type	Housing for Female Terminals
Sealable	Yes
Connector & Contact Terminates To	Wire & Cable
Primary Locking Feature	Integrated in Housing

#### Configuration Features

Number of Positions	54
Number of Rows	3

#### Electrical Characteristics

Operating Voltage	500 VDC
Nominal Voltage Architecture	500 V

#### Body Features



Cable Exit Angle	90°
Primary Product Color	Yellow
Connector & Keying Code	B

#### Contact Features

Contact Size	.64mm
Contact Type	Receptacle
Mating Tab Width	.64 mm[.025 in]

#### Mechanical Attachment

Terminal Position Assurance	Yes
Strain Relief	Add By Accessory
Mating Alignment Type	Keyed
Mating Alignment	With
Connector Mounting Type	Cable Mount (Free-Hanging)

#### Housing Features

Housing Material	PA GF
Centerline (Pitch)	2.54 mm[.1 in]

#### Dimensions

Connector Height	39.45 mm[1.55 in]
Product Width	61.19 mm[2.41 in]
Product Length	67 mm[2.63 in]
Row-to-Row Spacing	2.54 mm[.1 in]

#### Usage Conditions

Operating Temperature (Max)	70 °C, 75 °C, 80 °C, 85 °C[158 °F][167 °F] [176 °F][185 °F]
Operating Temperature Range	-40 – 85 °C[-40 – 185 °F]

#### Operation/Application

Circuit Application	Signal
---------------------	--------

#### Industry Standards

Compatible With Agency/Standards Products	GMW3191
---	---------

#### Packaging Features

Packaging Quantity	24
Packaging Method	Package



Other

Serviceable	Yes
Connector Position Assurance Capable	Yes

Product Compliance

For compliance documentation, visit the product page on TE.com>

EU RoHS Directive 2011/65/EU	Compliant
EU ELV Directive 2000/53/EC	Compliant
China RoHS 2 Directive MIIT Order No 32, 2016	No Restricted Materials Above Threshold
EU REACH Regulation (EC) No. 1907/2006	Current ECHA Candidate List: JUNE 2024 (241) Candidate List Declared Against: JAN 2024 (240) Does not contain REACH SVHC
Halogen Content	Low Halogen - Br, Cl, F, I < 900 ppm per homogenous material. Also BFR/CFR/PVC Free
Solder Process Capability	Not applicable for solder process capability

Product Compliance Disclaimer

This information is provided based on reasonable inquiry of our suppliers and represents our current actual knowledge based on the information they provided. This information is subject to change. The part numbers that TE has identified as EU RoHS compliant have a maximum concentration of 0.1% by weight in homogenous materials for lead, hexavalent chromium, mercury, PBB, PBDE, DBP, BBP, DEHP, DIBP, and 0.01% for cadmium, or qualify for an exemption to these limits as defined in the Annexes of Directive 2011/65/EU (RoHS2). Finished electrical and electronic equipment products will be CE marked as required by Directive 2011/65/EU. Components may not be CE marked. Additionally, the part numbers that TE has identified as EU ELV compliant have a maximum concentration of 0.1% by weight in homogenous materials for lead, hexavalent chromium, and mercury, and 0.01% for cadmium, or qualify for an exemption to these limits as defined in the Annexes of Directive 2000/53/EC (ELV). Regarding the REACH Regulation, the information TE provides on SVHC in articles for this part number is based on the latest European Chemicals Agency (ECHA) 'Guidance on requirements for substances in articles' posted at this URL: <https://echa.europa.eu/guidance-documents/guidance-on-reach>

Compatible Parts

 <p>TE Part # 1456538-1 SEAL PLUG, MAT, GM SDM</p>	 <p>TE Part # 2035024-1 SDM,54P,Cover,Wire Dress Assy w/o Mark</p>	 <p>TE Part # 2035024-2 SDM,54P,Cover,Wire Dress Assy w /Mark</p>
---	---	--

## Also in the Series | Generation Y Connector System



Automotive Connector Caps & Covers (21)



Automotive Housings(156)



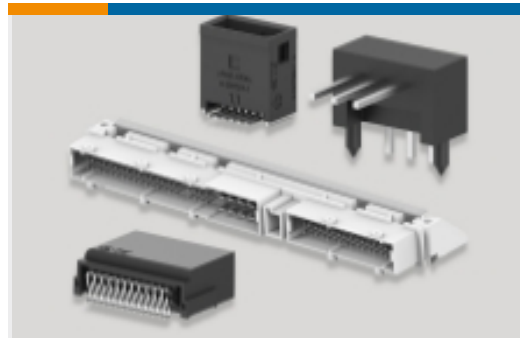
Automotive Terminals(46)



Connector Seals & Cavity Plugs(6)



Insertion & Extraction Tools(1)

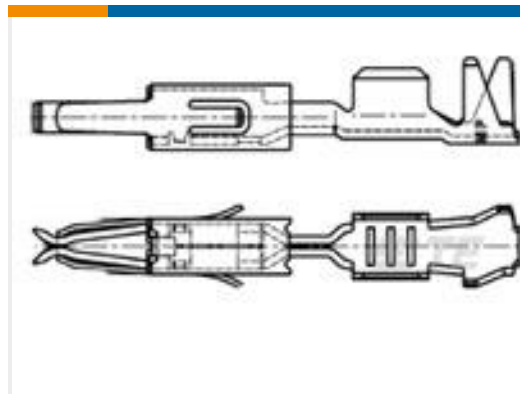


PCB Headers & Receptacles(23)

## Customers Also Bought



TE Part #2005275-3  
MT3/JPT/SPT HYB 58P CAP ASSY



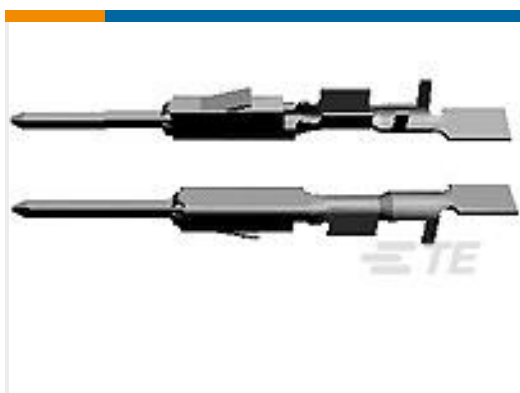
TE Part #964261-3  
MT2 A REC 1.6 Contact SRC Au



TE Part #1801286-1  
9W SEALED CONNECTOR FOR MCP CONTACT



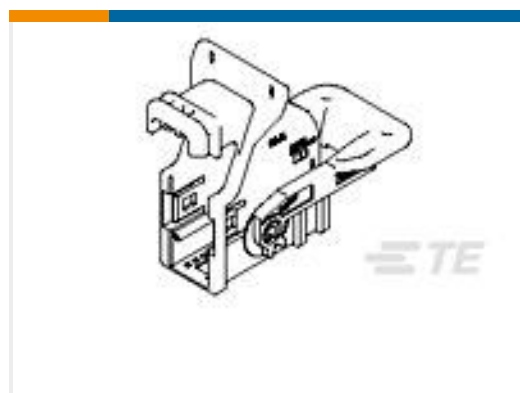
TE Part #1897198-2  
MCP 9.5 2P CAP HSG



TE Part #5-962886-2  
MQS0,63 Au tab LL EDS 0,2-0,5



TE Part #1544351-1  
CAP.CLIP DRAPEAU 6



TE Part #1379917-1  
20POS MIXED MQS REC



TE Part #9-2289228-1  
CONNECTOR, 94POS



TE Part #927886-2  
CI 2 BUCHSE



TE Part #2-2098922-5  
SDM,54P PLUG ASY,RHL,KEY B



## Documents

### Product Drawings

[SDM,54P PLUG ASY,RHL,KEY B](#)

English

---

### CAD Files

[3D PDF](#)

3D

Customer View Model

[ENG\\_CVM\\_CVM\\_3-2098922-3\\_A.2d\\_dxf.zip](#)

English

Customer View Model

[ENG\\_CVM\\_CVM\\_3-2098922-3\\_A.3d\\_igs.zip](#)

English

Customer View Model

[ENG\\_CVM\\_CVM\\_3-2098922-3\\_A.3d\\_stp.zip](#)

English

By downloading the CAD file I accept and agree to the [Terms and Conditions](#) of use.

---

### Instruction Sheets

[Instruction Sheet \(U.S.\)](#)

English