

THIS DRAWING IS UNPUBLISHED.

RELEASED FOR PUBLICATION

© COPYRIGHT BY TYCO ELECTRONICS CORPORATION.

ALL INTERNATIONAL RIGHTS RESERVED.

LOC J DIST

REVISIONS

変更

DESCRIPTION

DATE

DWN

APVD

P

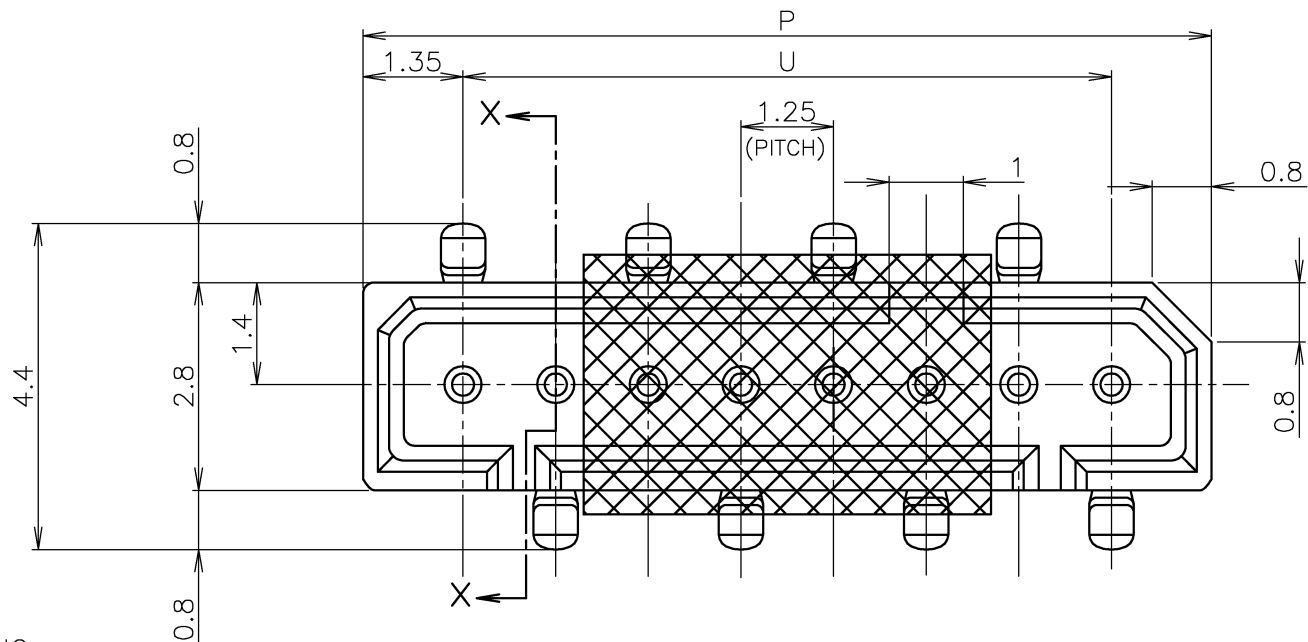
LTR

C REVISED ECR-09-023493

05NOV09

H.S

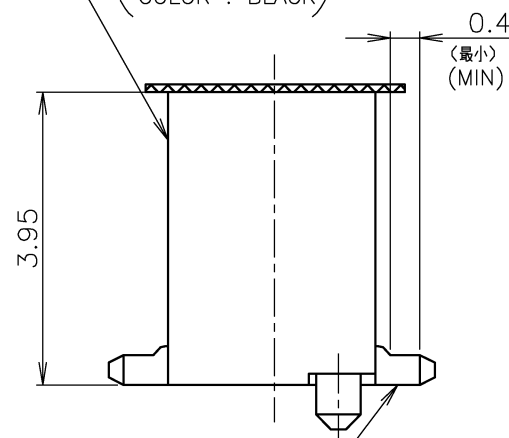
S.K



AS SHOWN : 3-1827158-8

HEADER HOUSING

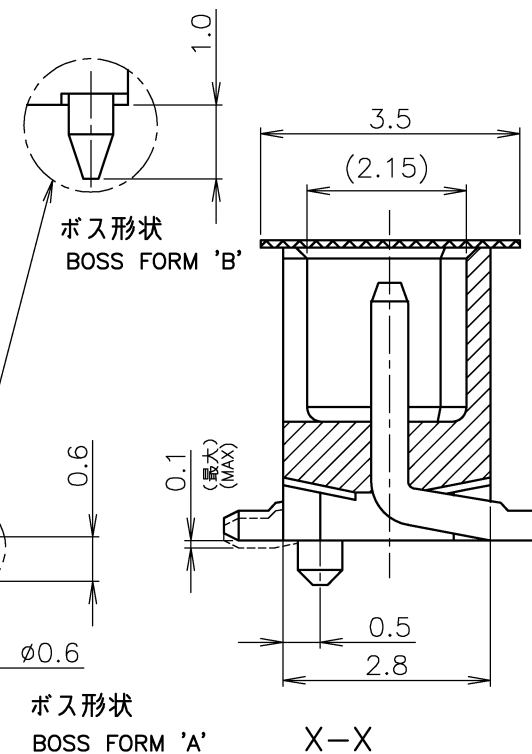
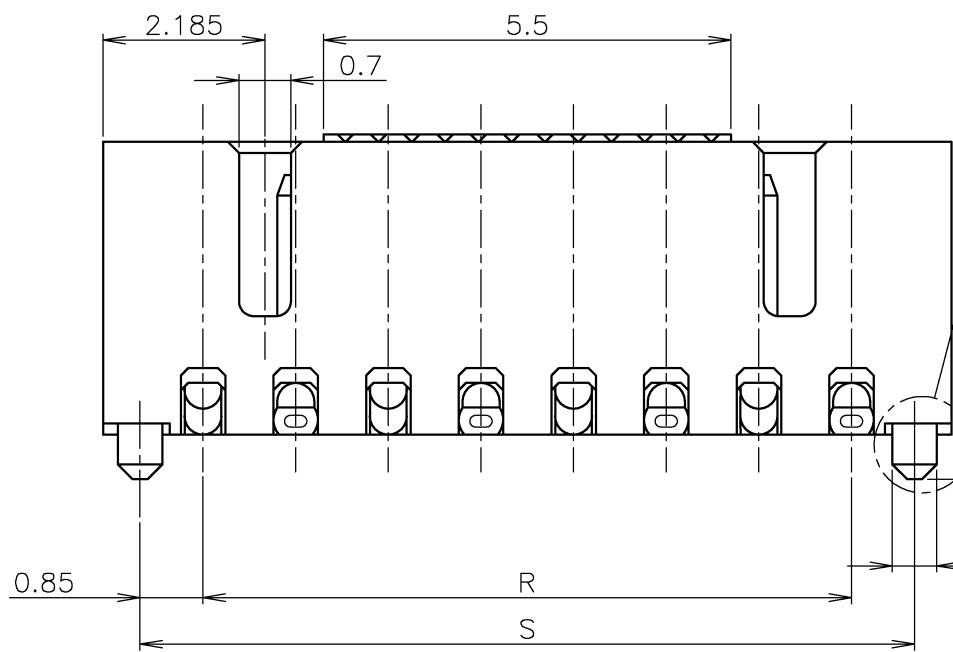
ヘッダーハウジング
(PPS UL94V-0
COLOR : BLACK)



POST

ポスト

(ニッケル下地錫めっき仕上げ黄銅線
POST TIN PL.
Ni UNDER PL. ALL OVER BRASS WIRE
φ0.5)



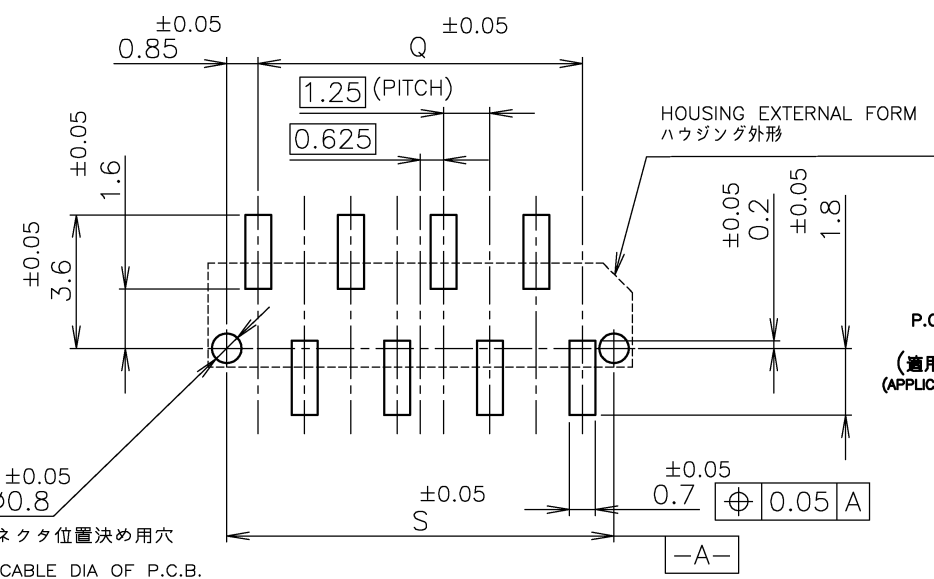
ボス形状
BOSS FORM 'B'

ボス形状
BOSS FORM 'A'

X-X

吸着テープ付
WITH POLYIMIDE TAPE

'B'	7.95	6.25	6.25	8.95	6	3-1827158-6
'A'	10.45	8.75	8.75	11.45	8	3-1827158-8
ボス形状 BOSS TYPE	S	R	U	P	極数 Pos.	型番 P/N



P.C.B MOUNTING LAYOUT
基板加工寸法
(適用基板厚 : 0.6mm 最小)
(APPLICABLE P.C.B THK : 0.6mm MIN)

THIS DRAWING IS A CONTROLLED DOCUMENT.		DWN Y.SHINO 17DEC2004	Tyco Electronics Corporation Kawasaki, Japan
DIMENSIONS: 単位: 耗 mm		CHK T.KUSUHARA 17DEC2004	
TOLERANCES UNLESS OTHERWISE SPECIFIED: 一般公差		APVD H.MURAMATSU 17DEC2004	NAME 名称 1.25 FP CONNECTOR B-TO-B SINGLE ROW POST HDR ASS'Y SMT TYPE WITH BOSS, WITH POLYIMID TAPE
0 PLC ± 0.3 1 PLC ± 0.3 2 PLC ± 0.3 3 PLC ± 0.3 4 PLC ± 0.3 ANGLES ± 3°		PRODUCT SPEC 製品規格 108-5246	
MATERIAL 材料	FINISH 仕上	APPLICATION SPEC 取付適用規格	SIZE
AS SHOWN 図中参照	AS SHOWN 図中参照	WEIGHT	CAGE CODE
CUSTOMER DRAWING		DRAWING NO. 番号 A3 00779 C-1827158	
		SCALE 尺度 10:1	SHEET 1 of 2
		RESTRICTED TO — REV C	

THIS DRAWING IS UNPUBLISHED. RELEASED FOR PUBLICATION
 © COPYRIGHT BY TYCO ELECTRONICS CORPORATION. ALL INTERNATIONAL RIGHTS RESERVED.

LOC	DIST	REVISIONS					
		P	LTR	DATE	DWN	APVD	
J		-		SEE SHEET 1	-	-	-

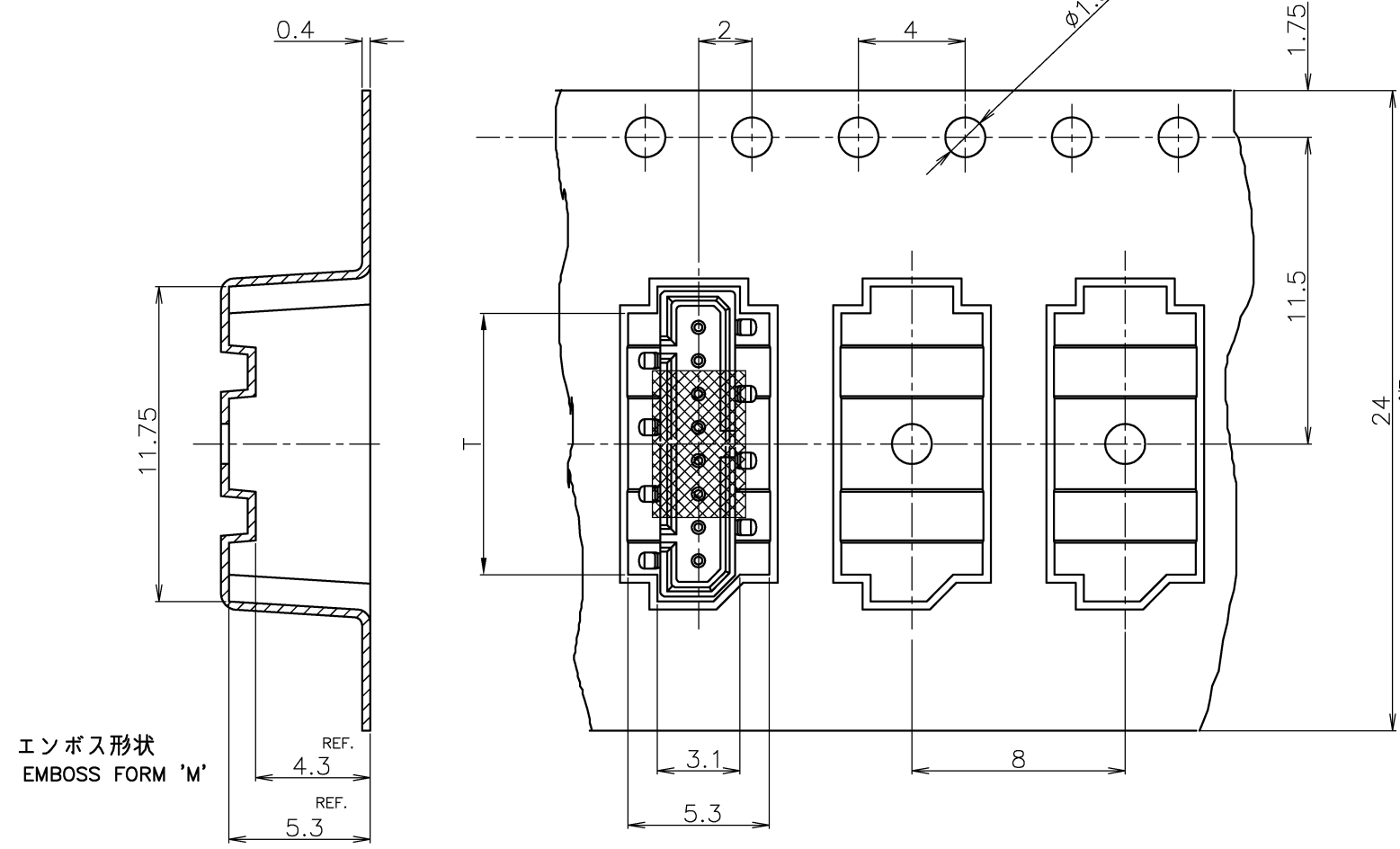
D

C

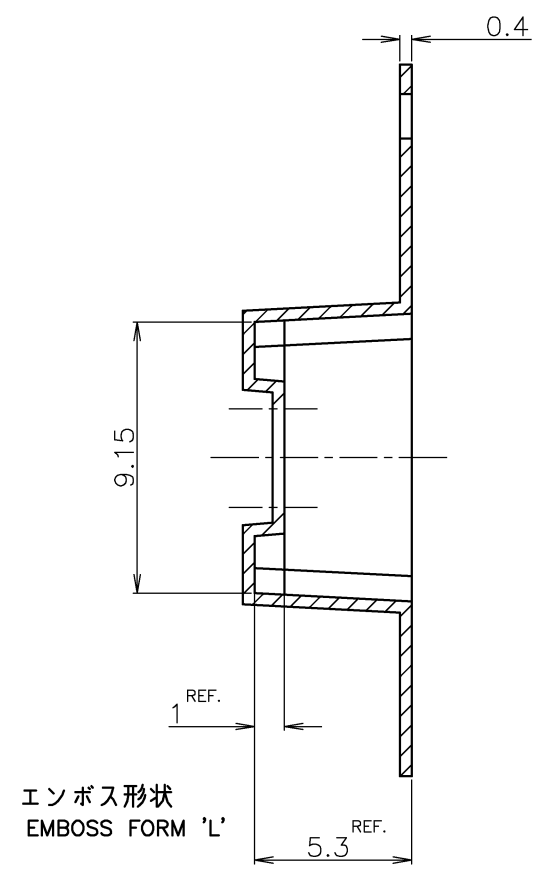
B

A

吸着テープ付
WITH POLYIMIDE TAPE



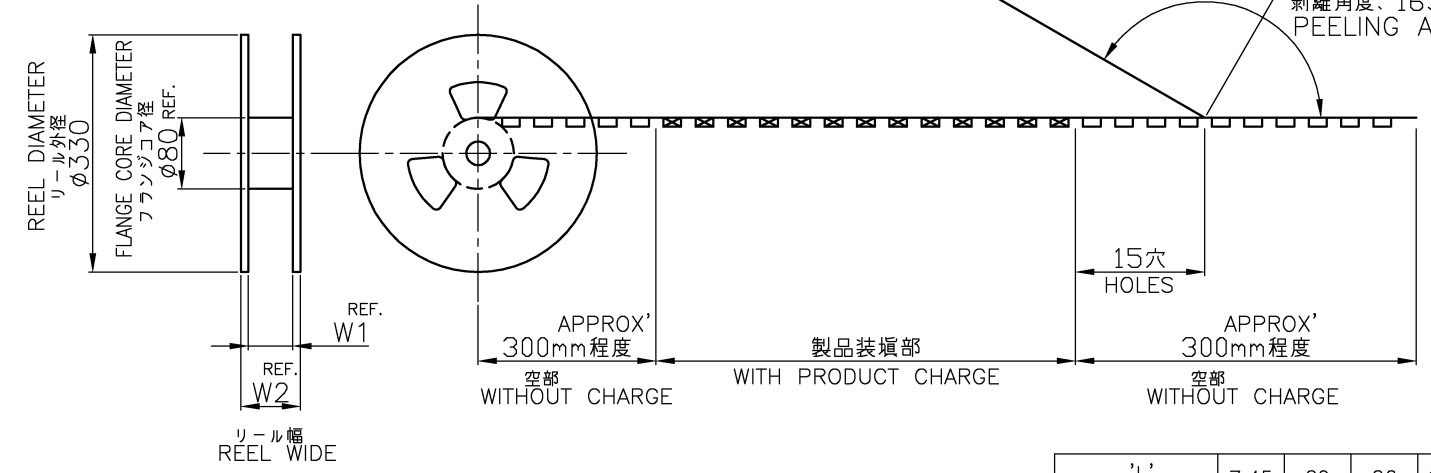
エンボス形状
EMBOSS FORM 'M'



エンボス形状
EMBOSS FORM 'L'

テープ幅
24
TAPES WIDE
引出し方向
TOP OF REEL
→

WEEDING THE COVER TAPE
AROUND THE OUTER PERIPHERY
IN A TURN.
カバーテープ
リーダー部
外周一巻
剥離角度、165°~180°
PEELING ANGLE.



AS SHOWN : 3-1827158-8
3-1827158-6

'L'	7.45	29	26	1400	6
'M'	9.8	29	26	1400	8
エンボス形状 EMBOSS TYPE	T	W2	W1	数量 QTY/REEL	位置 Pos.

THIS DRAWING IS A CONTROLLED DOCUMENT.

DWN	Y.SHINO	17DEC2004	Tyco Electronics Corporation Kawasaki, Japan
CHK	T.KUSUHARA	17DEC2004	
APVD	H.MURAMATSU	17DEC2004	
DIMENSIONS: 単位: 耗 mm			NAME 名称
TOLERANCES UNLESS OTHERWISE SPECIFIED: 一般公差			1.25 FP CONNECTOR B-TO-B SINGLE ROW POST HDR ASS'Y SMT TYPE WITH BOSS, WITH POLYIMID TAPE
0 PLC ± 0.3 1 PLC ± 0.3 2 PLC ± 0.3 3 PLC ± 0.3 4 PLC ± 0.3 ANGLES ± 3°			PRODUCT SPEC 製品規格 108-5246
MATERIAL 材料 AS SHOWN 図中参照			APPLICATION SPEC 取付適用規格
FINISH 仕上 AS SHOWN 図中参照			SIZE A3
WEIGHT CUSTOMER DRAWING			CAGE CODE 00779
			DRAWING NO 番号 G-1827158
			RESTRICTED TO —
			SCALE 尺度 10:1
			SHEET 2 OF 2
			REV C