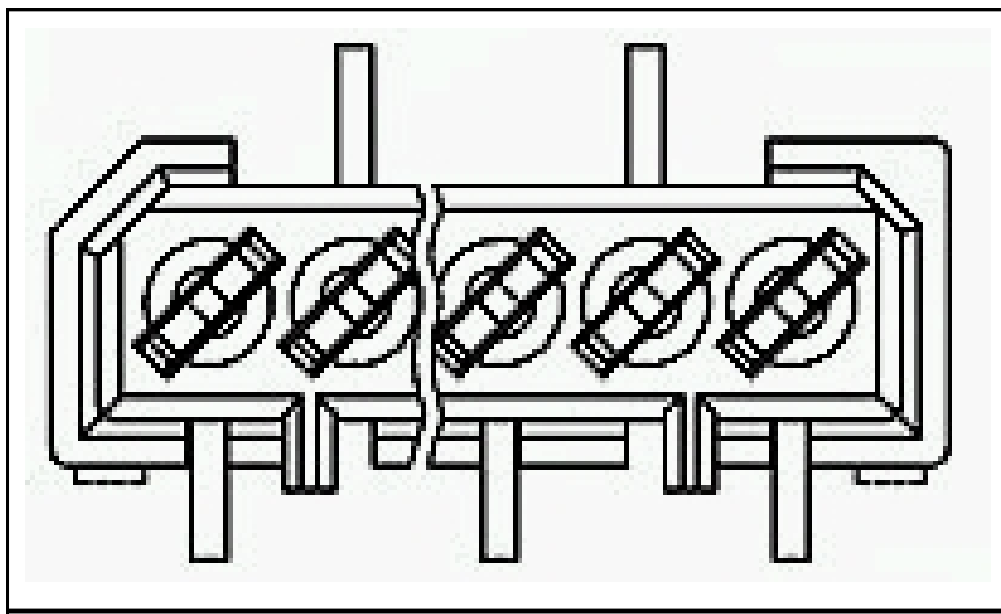


3-175636 -5 Product Details

Live Product Chat US Only
8:30am - 5pm ET, Mon - Fri



3-175636 -5

✓ [Active](#)

1.25mm Centerline F - P (Fine Pitch Connectors)

[Converted to EU RoHS/ELV Compliant](#) ([Statement of Compliance](#))

Product Highlights:

- ? Header Type = Receptacle
- ? PCB Mount Style = Surface Mount
- ? Vertical Mount Angle
- ? Number of Rows = Single
- ? Number of Positions = 5

[View all Features](#) | [Find Similar Products](#)

Quick Links

- [Check Pricing & Availability](#)
- [Search for Tooling](#)
- [Product Feature Selector](#)
- [Contact Us About This Product](#)

Documentation & Additional Information

Product Drawings:

- ? [UNREADABLE](#) (PDF, English)

Catalog Pages/Data Sheets:

- ? None Available

Product Specifications:

- ? [AMP 1.25mm F -P Connector \(Board To Board\)](#) (PDF, Japanese)

Application Specifications:

- ? None Available

Instruction Sheets:

- ? None Available

CAD Files: ([CAD Format & Compression Information](#))

- ? [2D Drawing](#) (DXF, Version A)
- ? [3D Model](#) (IGES, Version A)
- ? [3D Model](#) (STEP, Version A)

[List all Documents](#)

Additional Information:

- ? [Product Line Information](#)

Related Products:

- ? [Tooling](#)

Product Features (Please use the Product Drawing for all design activity)

Product Type Features:

- ? [PCB Mount Style](#) = Surface Mount
- ? [Mount Angle](#) = Vertical
- ? [Number of Positions](#) = 5
- ? [PCB Retention Feature](#) = Yes
- ? [Polarization](#) = Without
- ? Product Type = Header

Body Related Features:

- ? [Header Type](#) = Receptacle
- ? [Number of Rows](#) = Single
- ? [PCB Retention Method](#) = Hold Down Post
- ? Centerline (mm [in]) = 1.25 [0.049]

Contact Related Features:

- ? [Contact Mating Area Plating](#) = Pre -Tin
- ? Contact Material = Phosphor Bronze

Housing Related Features:

- ? Housing Material = PPS Resin
- ? Housing Color = Black
- ? Housing Flammability Rating = UL 94V -0

Industry Standards:

- ? [RoHS/ELV Compliance](#) = RoHS compliant, ELV compliant
- ? [Lead Free Solder Processes](#) = Reflow solder capable to 245°C
- ? RoHS/ELV Compliance History = Converted to comply with RoHS directive

Packaging Related Features:

- ? [Packaging Method](#) = Reel
- ? Packaging Quantity = 1,500

Other:

- ? Brand = AMP