

3-1747052-3 ✓ ACTIVE

## GRACE INERTIA 7.92

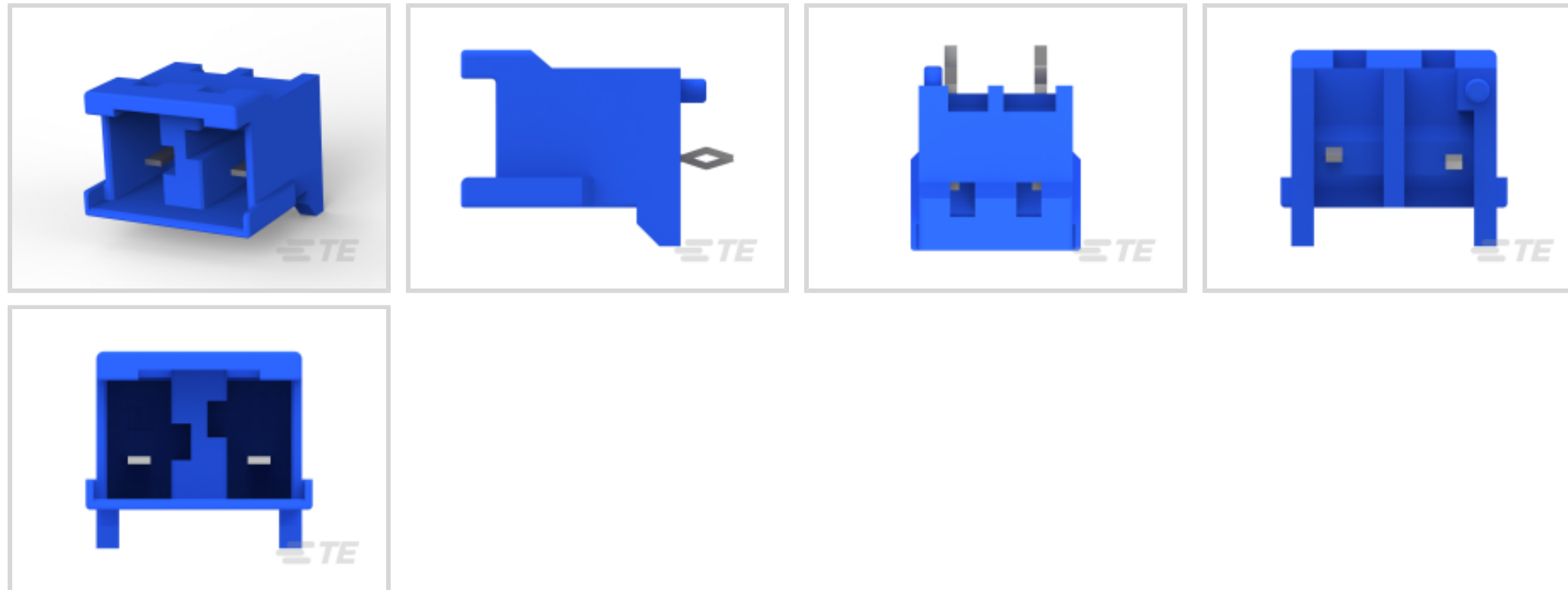
TE Internal #: 3-1747052-3

Rectangular Power Connectors, Header, Receptacle, Wire-to-Board, 2 Position, 7.92 mm [.312 in] Centerline, Printed Circuit Board, GRACE INERTIA 7.92

[View on TE.com >](#)



Connectors > Power Connectors > Rectangular Power > Rectangular Power Connectors



Rectangular Power Connector Type: **Header**

Connector & Housing Type: **Receptacle**

Connector System: **Wire-to-Board**

Number of Positions: **2**

Centerline (Pitch): **7.92 mm [.312 in]**

### Features

#### Product Type Features

|                                   |                       |
|-----------------------------------|-----------------------|
| Header Type                       | Fully Shrouded        |
| Rectangular Power Connector Type  | Header                |
| Connector & Housing Type          | Receptacle            |
| Connector System                  | Wire-to-Board         |
| Sealable                          | No                    |
| Connector & Contact Terminates To | Printed Circuit Board |

#### Configuration Features

|                            |          |
|----------------------------|----------|
| Number of Positions        | 2        |
| PCB Mount Orientation      | Vertical |
| Number of Power Positions  | 2        |
| Number of Signal Positions | 2        |
| Number of Rows             | 1        |

#### Electrical Characteristics

|                   |         |
|-------------------|---------|
| Operating Voltage | 300 VDC |
|-------------------|---------|



### Contact Features

|  |                 |
|--|-----------------|
| Contact Mating Area Plating Material           | Tin             |
| Contact Current Rating (Max)                   | 10 A            |
| Contact Retention Within Housing               | With            |
| Contact Type                                   | Tab             |
| PCB Contact Termination Area Plating Material  | Tin             |
| Contact Mating Area Plating Material Thickness | 1 µm[39.37 µin] |

### Termination Features

|   |                       |
|---|-----------------------|
| Termination Method to Printed Circuit Board | Through Hole - Solder |
|---|-----------------------|

### Mechanical Attachment

|                          |                |
|--------------------------|----------------|
| PCB Mount Alignment Type | Locating Posts |
| Mating Retention         | With           |
| PCB Mount Alignment      | With           |
| PCB Mount Retention      | With           |
| PCB Mount Retention Type | Kinked         |
| Connector Mounting Type  | Board Mount    |

### Housing Features

|                    |                  |
|--------------------|------------------|
| Centerline (Pitch) | 7.92 mm[.312 in] |
| Housing Color      | Blue             |
| Housing Material   | Nylon 6/6 GF     |

### Dimensions

|           |                      |
|-----------|----------------------|
| Wire Size | 434.18 – 2723.46 CMA |
|-----------|----------------------|

### Usage Conditions

|                             |                            |
|-----------------------------|----------------------------|
| Operating Temperature Range | -30 – 105 °C[-22 – 221 °F] |
|-----------------------------|----------------------------|

### Operation/Application

|                     |                |
|---------------------|----------------|
| Circuit Application | Power & Signal |
|---------------------|----------------|

### Industry Standards

|                        |                           |
|------------------------|---------------------------|
| UL Flammability Rating | UL 94V-0                  |
| Glow Wire Rating       | GWT 750°C (Without Flame) |

### Packaging Features

|                  |     |
|------------------|-----|
| Packaging Method | Bag |
|------------------|-----|



## Product Compliance

[For compliance documentation, visit the product page on TE.com>](#)

|   |  |
|---|--|
| EU RoHS Directive 2011/65/EU                  | Compliant  |
| EU ELV Directive 2000/53/EC                   | Compliant  |
| China RoHS 2 Directive MIIT Order No 32, 2016 | No Restricted Materials Above Threshold  |
| EU REACH Regulation (EC) No. 1907/2006        | Current ECHA Candidate List: JUNE 2023 (235)<br>Candidate List Declared Against: JAN 2023 (233)<br>Does not contain REACH SVHC |
| Halogen Content                               | Not Low Halogen - contains Br or Cl > 900 ppm.   |
| Solder Process Capability                     | Wave solder capable to 265°C   |

### Product Compliance Disclaimer

This information is provided based on reasonable inquiry of our suppliers and represents our current actual knowledge based on the information they provided. This information is subject to change. The part numbers that TE has identified as EU RoHS compliant have a maximum concentration of 0.1% by weight in homogenous materials for lead, hexavalent chromium, mercury, PBB, PBDE, DBP, BBP, DEHP, DIBP, and 0.01% for cadmium, or qualify for an exemption to these limits as defined in the Annexes of Directive 2011/65/EU (RoHS2). Finished electrical and electronic equipment products will be CE marked as required by Directive 2011/65/EU. Components may not be CE marked. Additionally, the part numbers that TE has identified as EU ELV compliant have a maximum concentration of 0.1% by weight in homogenous materials for lead, hexavalent chromium, and mercury, and 0.01% for cadmium, or qualify for an exemption to these limits as defined in the Annexes of Directive 2000/53/EC (ELV). Regarding the REACH Regulation, the information TE provides on SVHC in articles for this part number is based on the latest European Chemicals Agency (ECHA) 'Guidance on requirements for substances in articles' posted at this URL: <https://echa.europa.eu/guidance-documents/guidance-on-reach>

## Compatible Parts

|  |  |  |   |
|--|--|--|---|
|  <p>TE Part # 1747052-2<br/>GIC7.92 2POS_HEADER ASSY RED<br/>KEYING A</p> |  <p>TE Part # 1747052-3<br/>GIC7.92 2POS_HEADER ASSY BLUE</p> |  <p>TE Part # 2-1747052-1<br/>GIC7.92 2POS_HDR ASS'Y NAT<br/>KEYING C</p> |  <p>TE Part # 1747052-5<br/>GRACE INERTIA CONNECTOR 7.92<br/>2POS HEADER</p> |
|--|--|--|---|




TE Part # 2-1747052-2  
GIC7.92 2POS\_HDR ASS'Y RED  
KEYING C



TE Part # 1747052-4  
GIC7.92 2POS\_HEADER ASS'Y YELLO  
KEYING A



TE Part # 1-1747052-1  
GIC7.92 2POS\_HEADER ASS'Y NAT  
KEYING B



TE Part # 1-1747052-3  
GIC7.92 2POS\_HEADER ASS'Y BLUE  
KEYING B



TE Part # 1-1747052-5  
GIC7.92 2POS\_HDR ASS'Y GREEN  
KEYING B



TE Part # 2-1747052-4  
GIC7.92 2POS\_HDR ASS'Y YELLOW  
KEYING C

Also in the Series | GRACE INERTIA 7.92

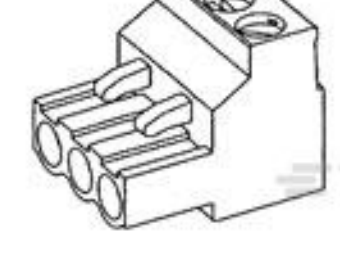


Rectangular Power Connectors(39)

Customers Also Bought



TE Part #1-5177986-5  
0.8FH,P06H.5,120,08/Sn,TR,SC



TE Part #796640-2  
2 POS 5.0 MM R/A PLUG,TRM BLK



TE Part #2-1747052-1  
GIC7.92 2POS\_HDR ASS'Y NAT  
KEYING C



TE Part #1-1747052-2  
GIC 7.92MM CONN HDR ASS'Y 2POS  
RED



TE Part #1-1747052-4  
GIC7.92 2POS\_HDR ASS'Y YELLOW  
KEYING B



TE Part #2-2360547-3  
SGI 1.5 HDR, 3P, VT, Key B, Black

TE Part #1-2328608-7  
7P, RAST 5 TAB HEADER, THV,  
SHORT PEG



## Documents

### Product Drawings

[GIC7.92 2POS\\_HDR ASS'Y BLUE KEYING D](#)

English

### CAD Files

Customer View Model

[ENG\\_CVM\\_CVM\\_3-1747052-3\\_F.2d\\_dxf.zip](#)

English

3D PDF

3D

Customer View Model

[ENG\\_CVM\\_CVM\\_3-1747052-3\\_F.3d\\_igs.zip](#)

English

Customer View Model

[ENG\\_CVM\\_CVM\\_3-1747052-3\\_F.3d\\_stp.zip](#)

English

By downloading the CAD file I accept and agree to the [Terms and Conditions](#) of use.

### Product Specifications

[5.0 POWER KEY CONNECTOR](#)

Japanese

[Application Specification](#)

Japanese