

3-1735447-4 ✓ ACTIVE

TE Internal #: 3-1735447-4

Housing, Housing for Female Terminals, Wire-to-Board, 14  
Position, 2 mm [.078 in] Centerline, Crimp, 1 Row, Black, Mating  
Retention, Wire & Cable

[View on TE.com >](#)



Connectors > PCB Connectors > Wire-to-Board Connectors > Wire-to-Board Connector Assemblies & Housings



Connector Product Type: **Housing**

Connector & Housing Type: **Housing for Female Terminals**

Connector System: **Wire-to-Board**

Number of Positions: **14**

Centerline (Pitch): **2 mm [.078 in]**

## Features

### Product Type Features

Connector Product Type	Housing
Connector & Housing Type	Housing for Female Terminals
Connector System	Wire-to-Board
Sealable	No
Connector & Contact Terminates To	Wire & Cable

### Configuration Features

Number of Positions	14
Number of Rows	1

### Electrical Characteristics

Operating Voltage	100 VAC, 250 VAC
-------------------	------------------

### Body Features

Primary Product Color	Black
-----------------------	-------

### Contact Features

Contact Layout	Inline
----------------	--------



Contact Base Material	Phosphor Bronze
-----------------------	-----------------

Contact Current Rating (Max)	3 A
------------------------------	-----

### Termination Features

Termination Method to Wire & Cable	Crimp
------------------------------------	-------

### Mechanical Attachment

Mating Retention	With
------------------	------

Connector Mounting Type	Cable Mount (Free-Hanging)
-------------------------	----------------------------

### Housing Features

Housing Material	Thermoplastic
------------------	---------------

Centerline (Pitch)	2 mm [.078 in]
--------------------	----------------

### Dimensions

Wire Size	.05 – .205 mm <sup>2</sup>
-----------	----------------------------

### Usage Conditions

Operating Temperature Range	-25 – 85 °C [-13 – 185 °F]
-----------------------------	----------------------------

### Operation/Application

Circuit Application	Signal
---------------------	--------

### Industry Standards

Compatible With Agency/Standards Products	UL
---	----

UL Flammability Rating	UL 94V-0
------------------------	----------

### Packaging Features

Packaging Quantity	600
--------------------	-----

Packaging Method	Bag
------------------	-----

### Product Compliance

[For compliance documentation, visit the product page on TE.com>](#)

EU RoHS Directive 2011/65/EU	Compliant
------------------------------	-----------

EU ELV Directive 2000/53/EC	Compliant
-----------------------------	-----------

China RoHS 2 Directive MIIT Order No 32, 2016	No Restricted Materials Above Threshold
---	---

EU REACH Regulation (EC) No. 1907/2006	Current ECHA Candidate List: JUNE 2024 (241) Candidate List Declared Against: JUN 2016 (169) Does not contain REACH SVHC
--	--

Halogen Content	Low Halogen - Br, Cl, F, I < 900 ppm per homogenous material. Also BFR/CFR/PVC Free
Solder Process Capability	Not applicable for solder process capability

Product Compliance Disclaimer

This information is provided based on reasonable inquiry of our suppliers and represents our current actual knowledge based on the information they provided. This information is subject to change. The part numbers that TE has identified as EU RoHS compliant have a maximum concentration of 0.1% by weight in homogenous materials for lead, hexavalent chromium, mercury, PBB, PBDE, DBP, BBP, DEHP, DIBP, and 0.01% for cadmium, or qualify for an exemption to these limits as defined in the Annexes of Directive 2011/65/EU (RoHS2). Finished electrical and electronic equipment products will be CE marked as required by Directive 2011/65/EU. Components may not be CE marked. Additionally, the part numbers that TE has identified as EU ELV compliant have a maximum concentration of 0.1% by weight in homogenous materials for lead, hexavalent chromium, and mercury, and 0.01% for cadmium, or qualify for an exemption to these limits as defined in the Annexes of Directive 2000/53/EC (ELV). Regarding the REACH Regulation, the information TE provides on SVHC in articles for this part number is based on the latest European Chemicals Agency (ECHA) 'Guidance on requirements for substances in articles' posted at this URL: <https://echa.europa.eu/guidance-documents/guidance-on-reach>

### Compatible Parts



TE Part # 3-1735446-4  
2mm PITCH HPI POST HEADER, VERTICAL, 14P

### Customers Also Bought



TE Part #1969104-1  
ULTRA POD: Straight, Receptacle Assembly, Unplated, .250 inch



TE Part #530219P009  
RNF-150-1/4-0-1.25IN



TE Part #440452-000  
RT-3-NO.1-0-2.25IN



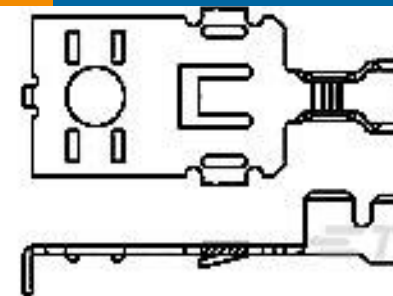
TE Part #1-521253-3  
PL MKIII & FASTON 250 HSG 2P NYLON GREEN



TE Part #1-853088-0  
ANVIL



TE Part #2-1241817-3  
STD TIM HOUSING MKII 3POS



TE Part #63496-1  
POWER RING TERMINAL TAB 16-10 AWG BR



TE Part #644267-2  
SL156 HSG (YELLOW)



## Documents

### Product Drawings

[HPI 2.0 Receptacle Housing, 14P](#)

English

---

### CAD Files

Customer View Model

[ENG\\_CVM\\_CVM\\_3-1735447-4\\_F.2d\\_dxf.zip](#)

English

[3D PDF](#)

3D

Customer View Model

[ENG\\_CVM\\_CVM\\_3-1735447-4\\_F.3d\\_igs.zip](#)

English

Customer View Model

[ENG\\_CVM\\_CVM\\_3-1735447-4\\_F.3d\\_stp.zip](#)

English

By downloading the CAD file I accept and agree to the [Terms and Conditions](#) of use.

---

### Datasheets & Catalog Pages

[HPI Connectors QRG](#)

English

---

### Product Specifications

[Product Specification](#)

English