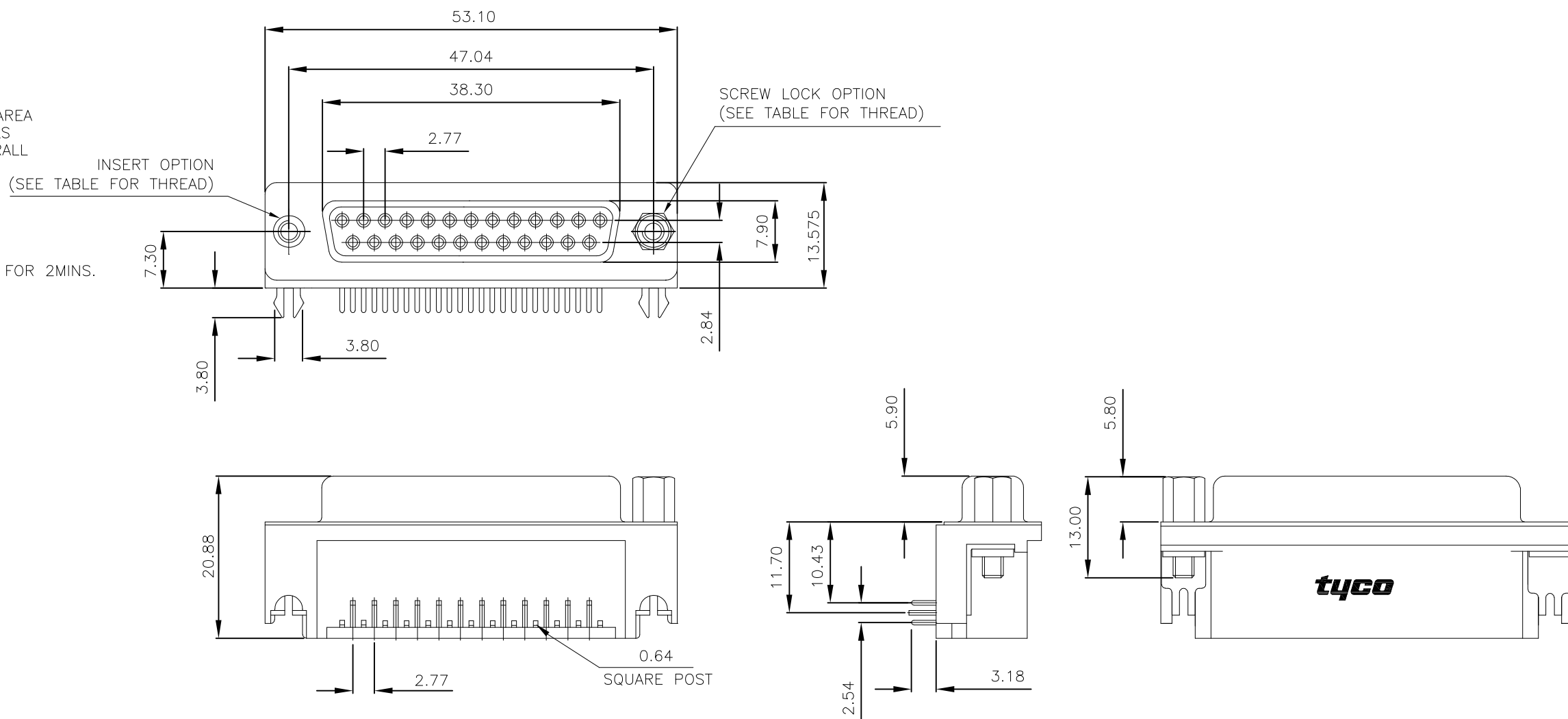


THIS DRAWING IS UNPUBLISHED. RELEASED FOR PUBLICATION OCT ,2003.

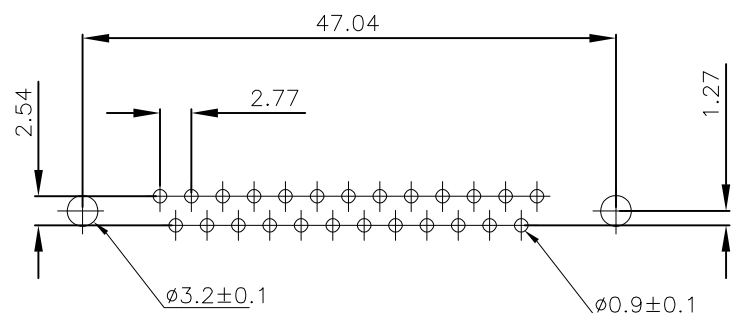
© COPYRIGHT 2003 BY TYCO ELECTRONICS CORPORATION. ALL RIGHTS RESERVED.

LOC	DIST	REVISIONS					
		P	LTR	DESCRIPTION	DATE	DWN	APVD
E	B		B	EBDO-0068-04	27JAN2004	JMS	FWK
			B1	REVISED PER ECO-09-024606	02NOV09	KK	AEG

- NOTES:
- FOR LOCAL DATA REFER TO YOUR LOCAL TYCO ELECTRONICS SALES OFFICE.
  - ALL DIMENSIONS ARE NOMINAL FOR REFERENCE ONLY UNLESS OTHERWISE STATED.
  - MATERIAL :  
HOUSING : THERMOPLASTIC, UL94V-0  
BLACK COLOR  
CONTACTS : PHOSPHOR BRONZE  
SHELL : STEEL  
BOARD LOCK : BRASS  
SCREW : BRASS
  - FINISH :  
CONTACT : 0.38µm MIN.GOLD PLATED ON CONTACT AREA  
2.54µm MIN. TIN PLATED ON SOLDER TAILS  
1.27µm MIN. NICKEL UNDERPLATED OVERALL  
SHELL : 1.52µm MIN. TIN PLATED  
BOARD LOCK : 1.52µm MIN. TIN PLATED  
SCREW : 1.27µm MIN. NICKEL PLATED.
  - CHARACTERISTICS  
CURRENT RATING : 5A  
INSULATION RESISTANCE : 1000MOHMS MIN, 500VDC FOR 2MINS.  
TEMPERATURE RATING : -55DEGC ~ +105DEGC  
VOLTAGE RATING : 250VDC
- 6 OBSOLETE PARTS: OBSOLETE CIS STREAMLINING PER D.RENAUD/D.SINISI



P.C.B. LAYOUT



6 OBSOLETE	25 WAY D SOCKET WITH BOARD LOCKS & 2 x M3 SCREW LOCKS, 0.38µm GOLD, RIGHT ANGLE	4-1634586-2
	25 WAY D SOCKET WITH BOARD LOCKS & 2 x 4-40 SCREW LOCKS, 0.38µm GOLD, RIGHT ANGLE	3-1634586-2
6 OBSOLETE	25 WAY D SOCKET WITH BOARD LOCKS & 2 x M3 INSERTS, 0.38µm GOLD, RIGHT ANGLE	2-1634586-2
	25 WAY D SOCKET WITH BOARD LOCKS & 2 x 4-40 INSERTS, 0.38µm GOLD, RIGHT ANGLE	1-1634586-2
	DESCRIPTION	TYCO PART No.

THIS DRAWING IS A CONTROLLED DOCUMENT.		DWN J.SANDWELL 15SEP2003	Tyco Electronics Corporation Stanmore, Middlesex, HA7 4RS	
DIMENSIONS: MM		CHK S.EBBUTT 15SEP2003	NAME 25 WAY D-SUB SOCKET WITH BOARD LOCK	
TOLERANCES UNLESS OTHERWISE SPECIFIED: 0 PLC ± - 1 PLC ± - 2 PLC ± - 3 PLC ± - 4 PLC ± - ANGLES ± -		APVD F.WHEELER-KING 15SEP2003	PRODUCT SPEC	
MATERIAL		FINISH	APPLICATION SPEC	RESTRICTED TO
-		-	SIZE A3	CAGE CODE 00779
			DRAWING NO C-1634586	SCALE NTS
CUSTOMER DRAWING		SHEET 1 OF 2		REV B1

THIS DRAWING IS UNPUBLISHED. RELEASED FOR PUBLICATION OCT ,2003.

© COPYRIGHT 2003 BY TYCO ELECTRONICS CORPORATION. ALL RIGHTS RESERVED.

LOC	DIST	REVISIONS			
P	LTR	DESCRIPTION	DATE	DWN	APVD
	B	SEE SHEET 1	-	-	-

NOTES:

1.DIMENSION:

TRAY:L=310,W=220,H=23

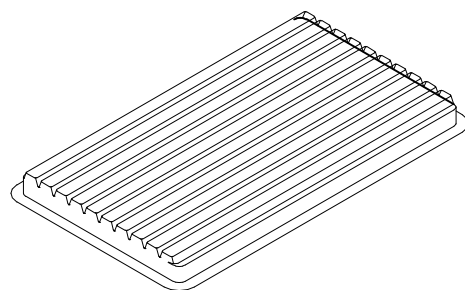
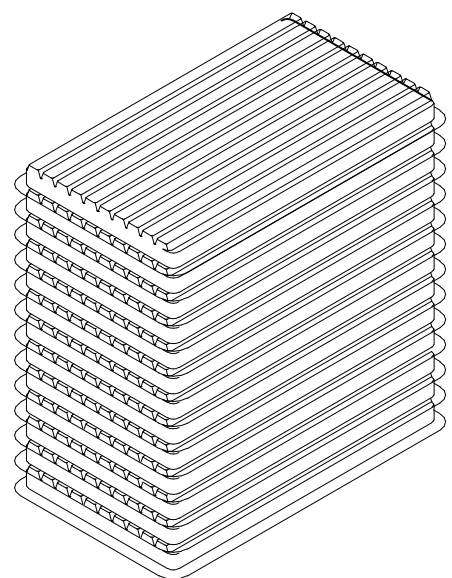
SHIPPING

BOX:L=335,W=230,H=320

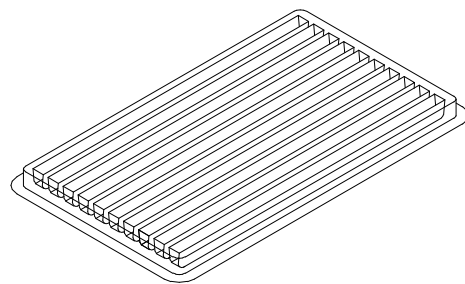
2.QUANTITY:

50 PCS/TRAY

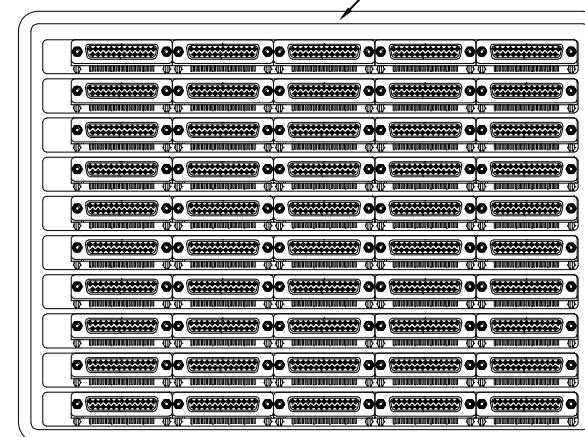
13 TRAY/SHIPPING BOX



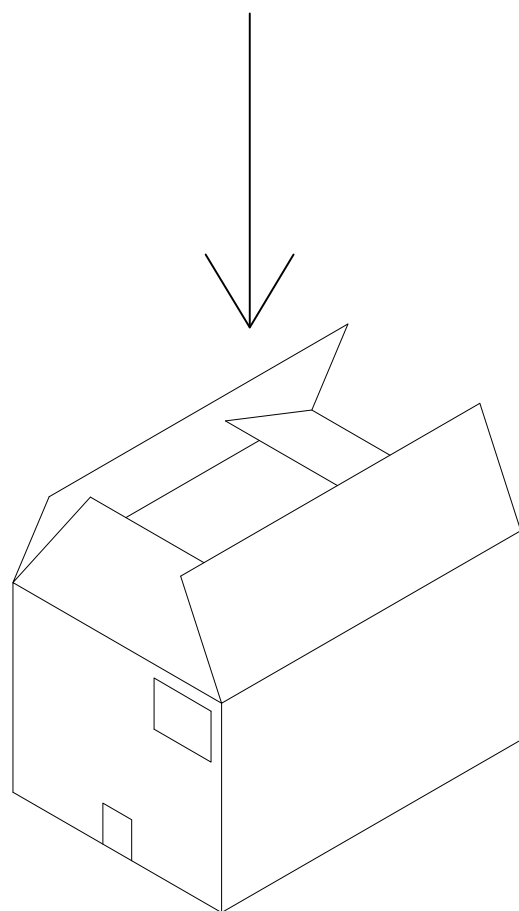
COVER



TRAY



Tray Layout



THIS DRAWING IS A CONTROLLED DOCUMENT.

DIMENSIONS:	TOLERANCES UNLESS OTHERWISE SPECIFIED:
MM	
	0 PLC ± -
	1 PLC ± -
	2 PLC ± -
	3 PLC ± -
	4 PLC ± -
	ANGLES ± -

MATERIAL - FINISH -

DWN	J.SANDWELL	15SEP2003
CHK	S.EBBUTT	15SEP2003
APVD	F.WHEELER-KING	15SEP2003
PRODUCT SPEC	-	-
APPLICATION SPEC	-	-
WEIGHT	-	-

		Tyco Electronics Corporation Stanmore, Middlesex, HA7 4RS	
NAME		25 WAY D-SUB SOCKET WITH BOARD LOCK	
SIZE	CAGE CODE	DRAWING NO	RESTRICTED TO
A3	00779	C-1634586	-
CUSTOMER DRAWING		SCALE	SHEET 2 OF 2 REV B1
		NTS	