

Product Compliance

[For compliance documentation, visit the product page on TE.com>](#)

EU RoHS Directive 2011/65/EU	Compliant with Exemptions
EU ELV Directive 2000/53/EC	Compliant with Exemptions
China RoHS 2 Directive MIIT Order No 32, 2016	Restricted Materials Above Threshold
EU REACH Regulation (EC) No. 1907/2006	Current ECHA Candidate List: JUNE 2023 (235) Candidate List Declared Against: JUL 2021 (219) SVHC > Threshold: Pb (.35% in Component Part) Article Safe Usage Statements: Do not eat, drink or smoke when using this product. Wash thoroughly after handling. Recycle if possible and dispose of the article by following all applicable governmental regulations relevant to your geographic location.
Halogen Content	Low Halogen - Br, Cl, F, I < 900 ppm per homogenous material. Also BFR/CFR/PVC Free
Solder Process Capability	Not applicable for solder process capability

Product Compliance Disclaimer

This information is provided based on reasonable inquiry of our suppliers and represents our current actual knowledge based on the information they provided. This information is subject to change. The part numbers that TE has identified as EU RoHS compliant have a maximum concentration of 0.1% by weight in homogenous materials for lead, hexavalent chromium, mercury, PBB, PBDE, DBP, BBP, DEHP, DIBP, and 0.01% for cadmium, or qualify for an exemption to these limits as defined in the Annexes of Directive 2011/65/EU (RoHS2). Finished electrical and electronic equipment products will be CE marked as required by Directive 2011/65/EU. Components may not be CE marked. Additionally, the part numbers that TE has identified as EU ELV compliant have a maximum concentration of 0.1% by weight in homogenous materials for lead, hexavalent chromium, and mercury, and 0.01% for cadmium, or qualify for an exemption to these limits as defined in the Annexes of Directive 2000/53/EC (ELV). Regarding the REACH Regulation, the information TE provides on SVHC in articles for this part number is based on the latest European Chemicals Agency (ECHA) 'Guidance on requirements for substances in articles' posted at this URL: <https://echa.europa.eu/guidance-documents/guidance-on-reach>

Customers Also Bought



TE Part #6368035-4
2X6 OFFSET STK MJ,SHLD,G/Y
LED&GND



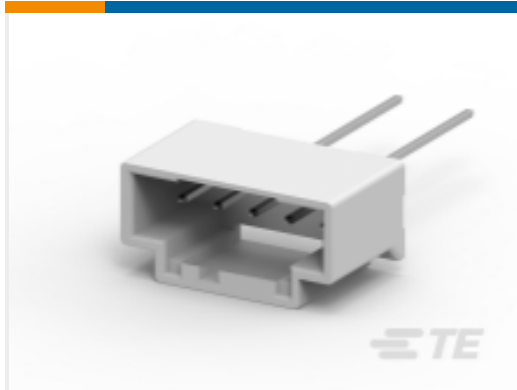
TE Part #1888653-5
2X1 OFFSET ST/JK WITH LEDS



TE Part #1871058-3
PCI EXPRESS CONN. EON TYPE, 98



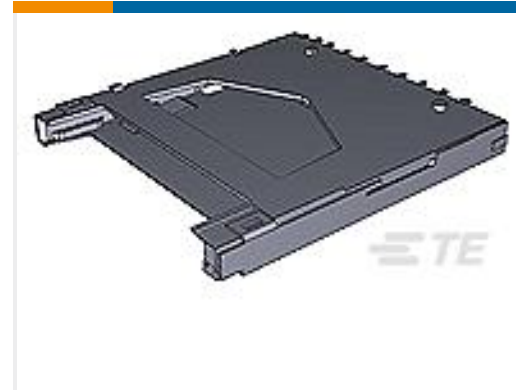
TE Part #5-104809-4
05 MTE HDR SRST LATCH W/HLDWN



TE Part #5-2232546-1
G12.5 HDR ASS 5P NC NO BOSS TAPE



TE Part #17-015A
15PSIA BOARD MOUNT PRESSURE
SENSOR



TE Part #1871916-1
SD RVS 0H EMBOSS ASSY



TE Part #1982995-3
CROWN CLIP JUNIOR SCREW-
MOUNT CONN



TE Part #2305234-1
SOCKET P HARDWARE DUST COVER



TE Part #3-1469373-7
ATCA GUIDE MODULE RA FEMALE

Documents

Product Drawings

V23552B8000Z192=FUEHRUNGSSTIFT

English

Instruction Sheets

Mounting instruction

English

Instruction Sheet (U.S.)

English