

THIS DRAWING IS UNPUBLISHED. RELEASED FOR PUBLICATION
 © COPYRIGHT - By - ALL RIGHTS RESERVED.


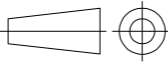
LOC	DIST	REVISIONS					
		P	LTR	DESCRIPTION	DATE	DWN	APVD
H	-	F5		NOTE 3 ADDED REFLECTING SHIPPER QTY DETAILS	05FEB2013	KJK	RP

SMALL PACK PART NUMBER	UNIT PACKAGE QTY [QTY/ PLASTIC BOX]	BULK PACKAGING		
		QTY	PART NUMBER	
0 1377175 1	100	9-0160477-5	OBSOLETE	
0 1377175 2	100	9-0160479-2		
0 1377175 3	100	9-0160479-5	OBSOLETE	△
0 1377175 4	100	0-0140802-2	OBSOLETE	
0 1377175 5	100	0-0140950-1	OBSOLETE	
0 1377175 6	100	9-0160313-2		
0 1377175 7	100	9-0160313-5		
0 1377175 8	100	9-0160326-2	OBSOLETE	
0 1377175 9	50	0-0160314-2		
1 1377175 0	50	0-0160314-5		
1 1377175 1	50	0-0160524-2	OBSOLETE	
1 1377175 2	100	0-0735278-0		
1 1377175 3	100	0-0735278-1		
1 1377175 4	50	0-0735279-0	OBSOLETE	
1 1377175 5	100	0-0735160-0		
1 1377175 6	50	0-0735159-0		
1 1377175 7	50	0-0156667-1		
1 1377175 8	50	0-0156666-1		
1 1377175 9	50	0-0160834-2		
2 1377175 0	100	0-0160834-5	OBSOLETE	△
2 1377175 1	50	9-0160463-2		
2 1377175 2	50	9-0160463-5	OBSOLETE	△
2 1377175 3	50	0-0140896-2		
2 1377175 4	50	0-0140971-2		
2 1377175 5	50	0-0141085-2		
2 1377175 6	50	0-0165536-1		
2 1377175 7	50	0-0165536-2	OBSOLETE	
2 1377175 8	50	0-0154719-0		
2 1377175 9	50	0-0154719-1		
3 1377175 0	10	0-0926521-1		
3 1377175 1	10	0-0926525-1	OBSOLETE	△
3 1377175 2	50	0-0042238-2		
3 1377175 3	50	0-0180384-2		
3 1377175 4	50	0-0042241-2		
3 1377175 5	50	0-0180409-2		
3 1377175 6	10	0-0180905-0	OBSOLETE	
3 1377175 7	10	0-0180923-0		
3 1377175 8	10	0-0180907-0		
3 1377175 9	5	0-0180941-0		
4 1377175 0	5	0-0180901-0		
4 1377175 1	5	0-0925276-0		
4 1377175 2	5	0-0163007-0	OBSOLETE	
4 1377175 3	10	0-0180916-0		
4 1377175 4	10	0-0180924-0		
4 1377175 5	10	0-0180908-0		
4 1377175 6	5	0-0180940-0		
4 1377175 7	5	0-0180900-0		
4 1377175 8	5	0-0180906-0		
4 1377175 9	5	0-0163008-0	OBSOLETE	
5 1377175 0	100	0-0165399-1	OBSOLETE	
5 1377175 1	100	1-0553017-2	OBSOLETE	
5 1377175 2	1000	0-0552043-2	OBSOLETE	
5 1377175 3	1000	0-0060947-3	OBSOLETE	
5 1377175 4	50	0-0165035-1		
5 1377175 5	50	0-0165399-1		
5 1377175 6	100	0-0160136-0		
5 1377175 7	50	0-0034321-0		
5 1377175 8	50	0-0151467-0		
5 1377175 9	100	0-0151469-0		
6 1377175 0	100	0-0151469-0		
6 1377175 1	50	0-0151471-0	OBSOLETE	
6 1377175 2	100	0-0131440-0		△
6 1377175 3	100	0-0131441-0		
6 1377175 4	100	0-0131442-0		

△ OBSOLETE PARTS: OBSOLETE CIS STREAMLINING PER D.RENAUD/D.SINISI

2. REFERENCE:
 P/N 1377172
 1377173
 1377174
 1377175

3. SHIPPER QTY = 20 X QTY/PLASTIC BOX FOR ALL P/N

THIS DRAWING IS A CONTROLLED DOCUMENT.		DWN RvHEUVEN 26-03-02	 TE Connectivity	
DIMENSIONS: mm		CHK A BIJNEN 14-05-02		
TOLERANCES UNLESS OTHERWISE SPECIFIED:		APVD A BIJNEN 14-05-02	NAME SMALL PACK	
		PRODUCT SPEC	SIZE A2	
0 PLC ± - 1 PLC ± - 2 PLC ± - 3 PLC ± - 4 PLC ± - ANGLES ± -		APPLICATION SPEC	CAGE CODE 00779	DRAWING NO C=1377175
MATERIAL -		WEIGHT -	RESTRICTED TO -	
FINISH -		CUSTOMER DRAWING		SCALE - SHEET 1 of 1 REV F5