

Compensated High Current Choke, 3-phase and neutral line

new



See below:

Approvals and Compliances

Description

- Current compensated choke
- 3-phase and neutral line
- THT-terminals
- Flange for mounting onto printed circuit board

Unique Selling Proposition

- Compact size and light weight
- Open design for optimal cooling
- Nanocrystalline ring cores
- Customer specific pin outs available

Applications

- Frequency converter
- Charge stations
- UPS-systems

Weblinks

[pdf data sheet](#), [html datasheet](#), [General Product Information](#), [Approvals](#), [Distributor-Stock-Check](#), [Detailed request for product](#), [Landing Page](#)

Technical Data

| | | | |
|---------------------------|------------------------------|---------------------------|--|
| Rated voltage | 500/760 VAC/VDC | Test Voltage | 500V: 2150VDC, 2 sec, winding to winding |
| Rated Current | 10 - 40A @ Ta 40 °C | | 760V: 3300VDC, 2 sec, winding to winding |
| Rated inductance | 0.75 - 6.5mH, Tol. -30% +50% | Climatic Category | 40/100/21 acc. to IEC 60068-1 |
| Power Operating Frequency | 0 - 400Hz | Allowable Operation Temp. | -40°C to 100°C |
| Terminal Type | THT | | |
| Weight | 100 - 165g | | |
| Material: Housing | UL 94V-0 | | |

Approvals and Compliances

Detailed information on product approvals, code requirements, usage instructions and detailed test conditions can be looked up in [Details about Approvals](#)

SCHURTER products are designed for use in industrial environments. They have approvals from independent testing bodies according to national and international standards. Products with specific characteristics and requirements such as required in the automotive sector according to IATF 16949, medical technology according to ISO 13485 or in the aerospace industry can be offered exclusively with customer-specific, individual agreements by SCHURTER.

Application standards

Application standards where the product can be used

| Organization | Design | Standard | Description |
|--------------|--------------------------------|----------------|--|
| | Designed for applications acc. | IEC/UL 62368-1 | IEC 62368-1 includes the basic requirements for safety of audio, video, information technology and office equipment. |

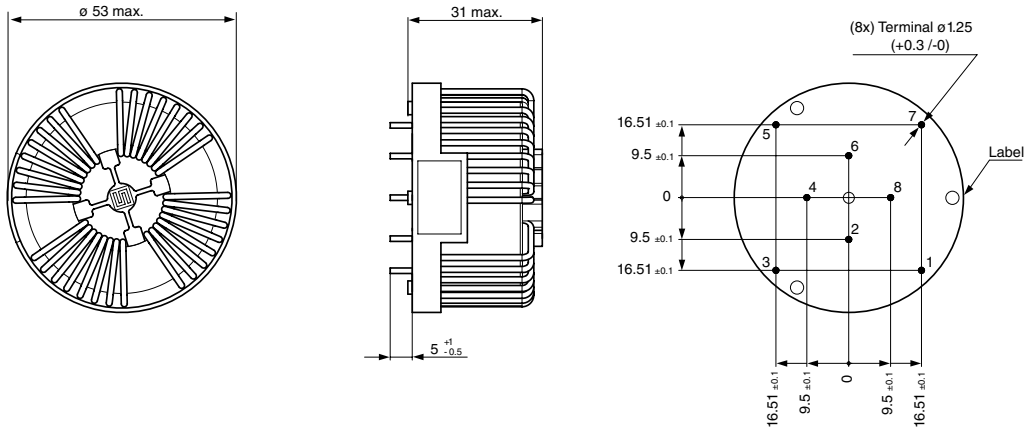
Compliances

The product complies with following Guide Lines

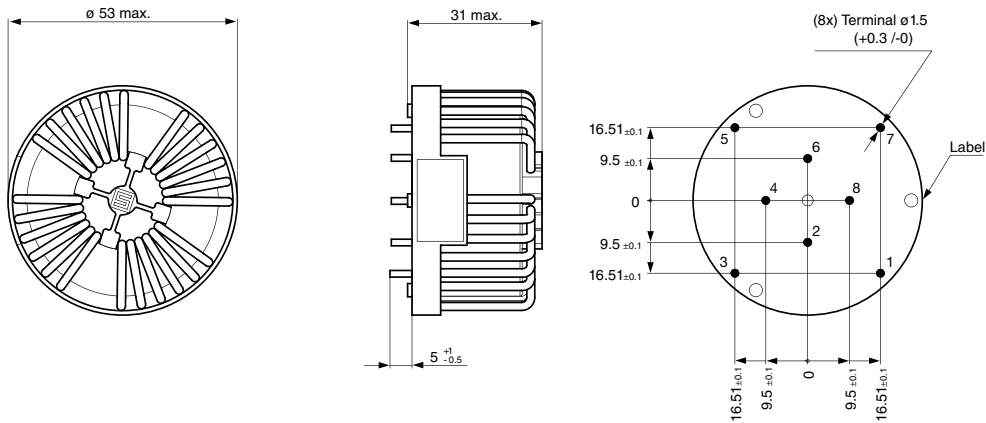
| Identification | Details | Initiator | Description |
|----------------|------------|-------------|---|
| | RoHS | SCHURTER AG | Directive RoHS 2011/65/EU, Amendment (EU) 2015/863 |
| | China RoHS | SCHURTER AG | The law SJ / T 11363-2006 (China RoHS) has been in force since 1 March 2007. It is similar to the EU directive RoHS. |
| | REACH | SCHURTER AG | On 1 June 2007, Regulation (EC) No 1907/2006 on the Registration, Evaluation, Authorization and Restriction of Chemicals 1 (abbreviated as "REACH") entered into force. |

Dimension [mm]

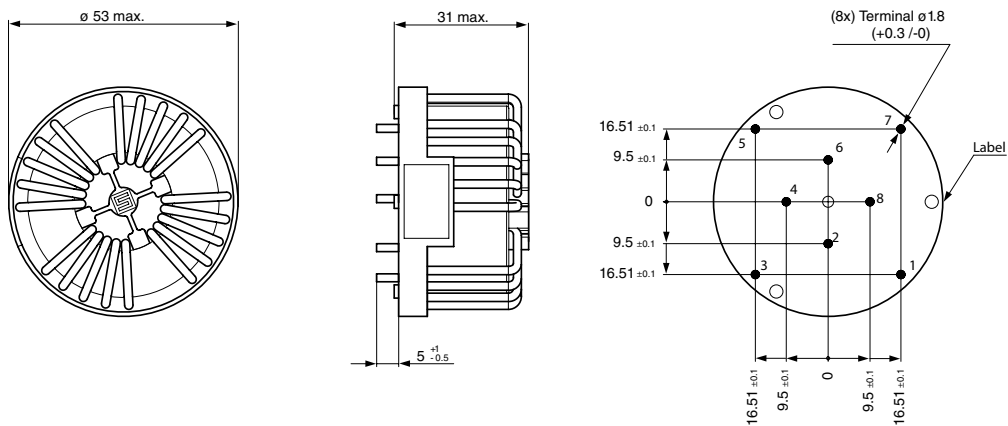
52-10



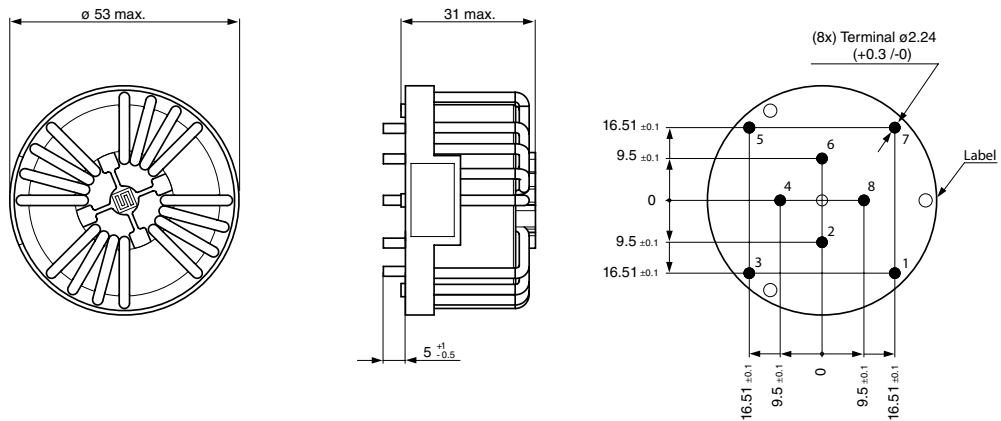
52-12



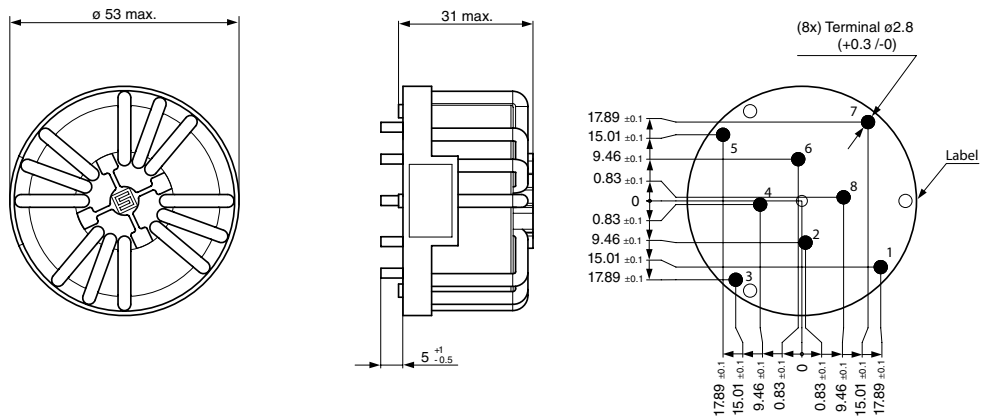
52-16



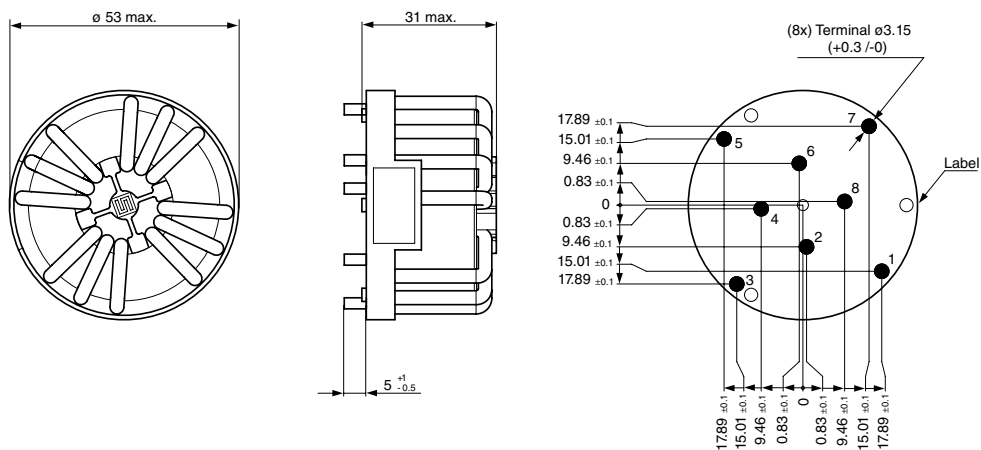
52-25



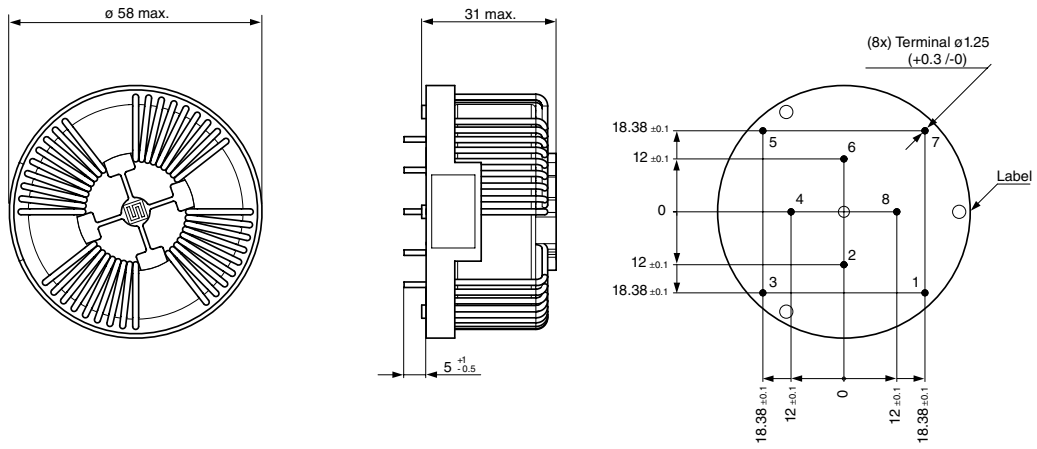
52-32



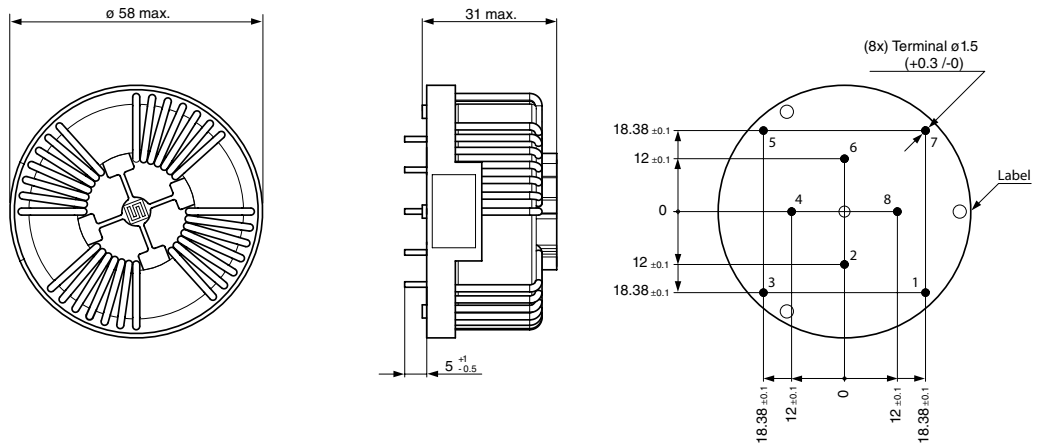
52-40



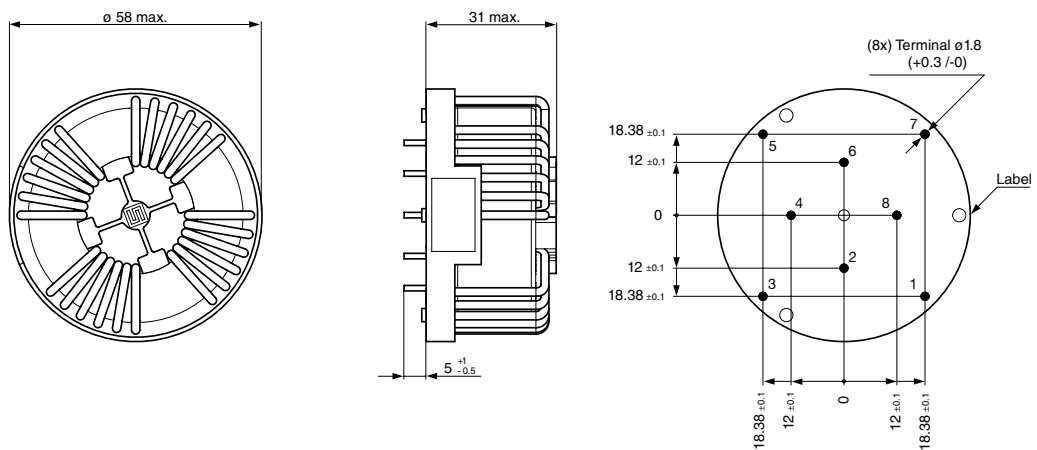
58-10



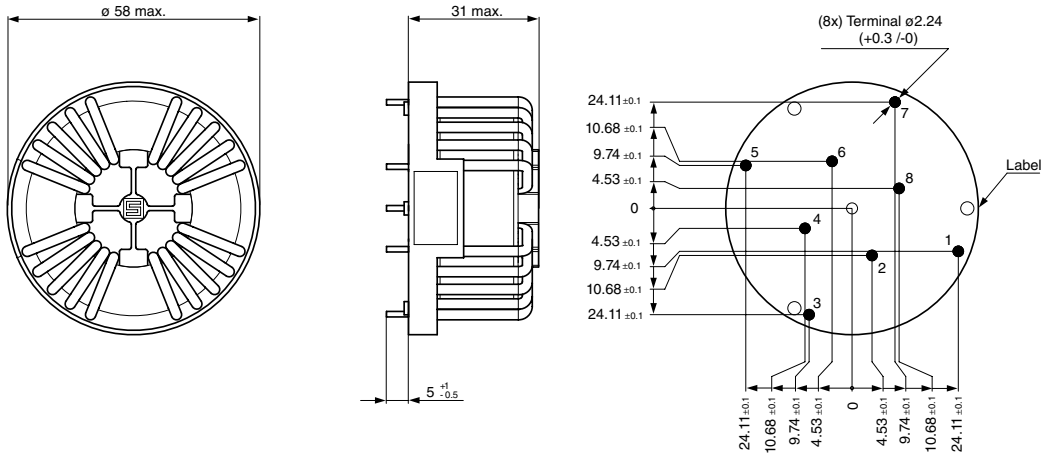
58-12



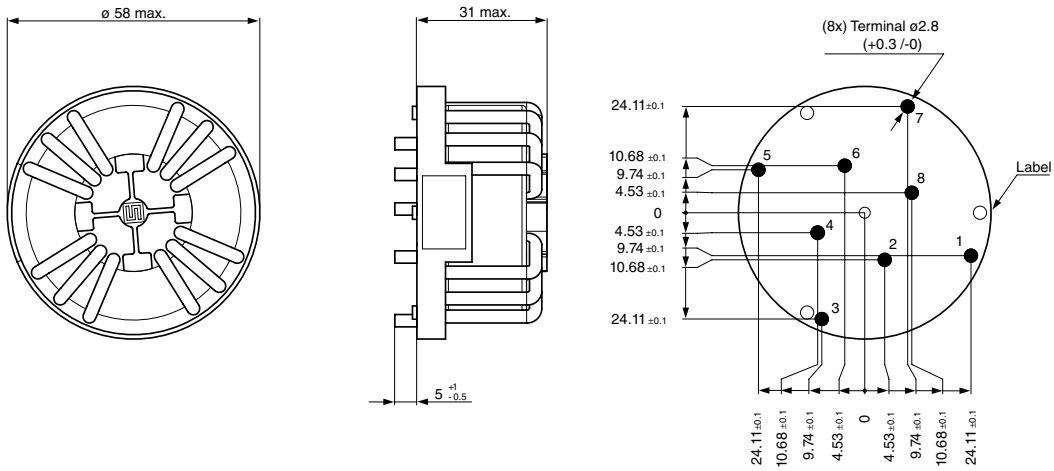
58-16



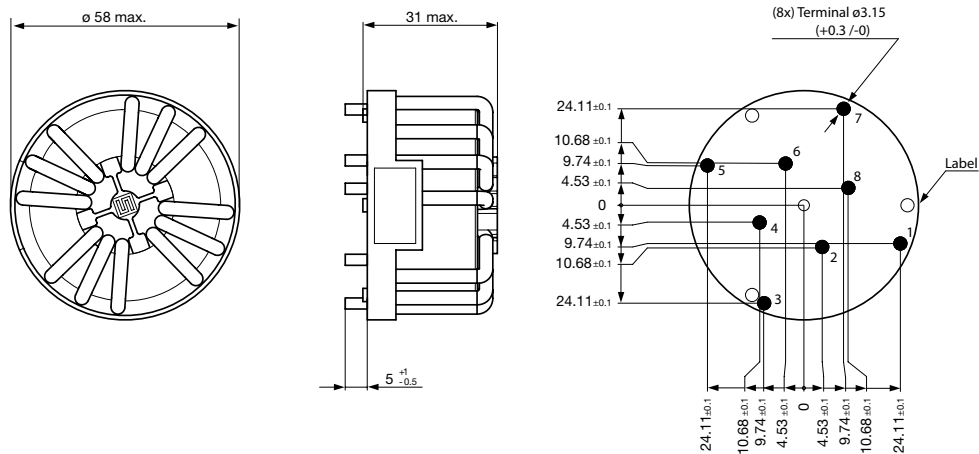
58-25



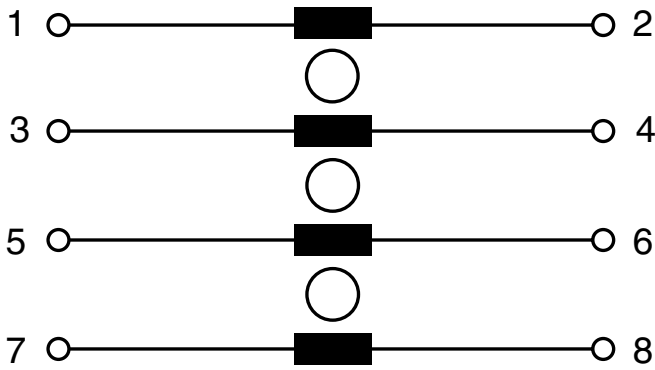
58-32



58-40

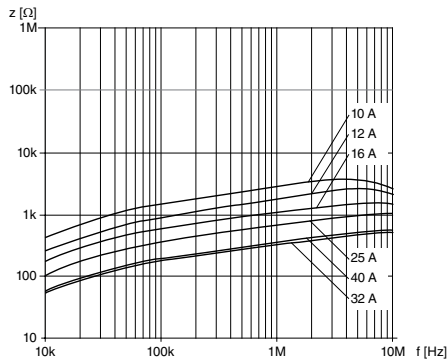


Diagrams

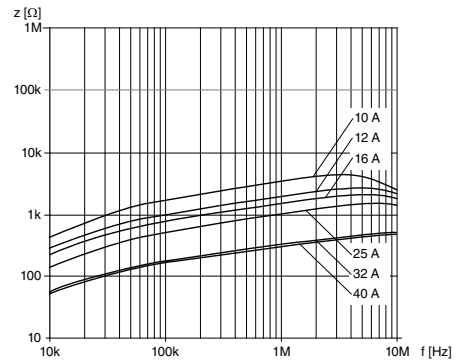


Impedance curves

DKIH-3452-xxxx-NK



DKIH-3458-xxxx-NK



All Variants

| I_n [A] | U_n [V] | L_n [mH] | R_{cu} [mΩ] | Tripped Power Dissipation [W] | f_{RES} [MHz] | Copper \varnothing [mm] | Weight [g] | Housings | Packing unit [pcs.] | Order Number |
|-----------|-----------|------------|---------------|-------------------------------|-----------------|---------------------------|------------|----------|---------------------|--------------|
| 10 | 500 | 5.5 | 7 | 2.8 | 3.68 | 1.25 | 100 g | 52-10 | 20 | 3-108-426 |
| 12 | 500 | 3 | 3.7 | 2.13 | 5.06 | 1.5 | 105 g | 52-12 | 20 | 3-108-427 |
| 16 | 500 | 2.1 | 2.12 | 2.17 | 6.6 | 1.8 | 100 g | 52-16 | 20 | 3-108-428 |
| 25 | 500 | 1.35 | 1.12 | 2.8 | 9.56 | 2.24 | 110 g | 52-25 | 20 | 3-108-430 |
| 32 | 500 | 0.75 | 0.55 | 2.25 | 15.4 | 2.8 | 130 g | 52-32 | 20 | 3-108-431 |
| 40 | 500 | 0.75 | 0.44 | 2.82 | 13.4 | 3.15 | 140 g | 52-40 | 20 | 3-108-432 |
| 10 | 760 | 6.5 | 8 | 3.2 | 3.2 | 1.25 | 130 g | 58-10 | 20 | 3-108-433 |
| 12 | 760 | 4.0 | 4.33 | 2.49 | 4.8 | 1.5 | 130 g | 58-12 | 20 | 3-108-434 |
| 16 | 760 | 3.0 | 2.6 | 2.66 | 5.18 | 1.8 | 140 g | 58-16 | 20 | 3-108-435 |
| 25 | 760 | 2.0 | 1.4 | 3.5 | 6.6 | 2.24 | 150 g | 58-25 | 20 | 3-108-437 |
| 32 | 760 | 0.75 | 0.55 | 2.25 | 15.4 | 2.8 | 155 g | 58-32 | 20 | 3-108-438 |
| 40 | 760 | 0.75 | 0.44 | 2.82 | 15.4 | 3.15 | 165 g | 58-40 | 20 | 3-108-439 |

Most Popular.

Availability for all products can be searched real-time: <https://www.schurter.com/en/Stock-Check/Stock-Check-SCHURTER>