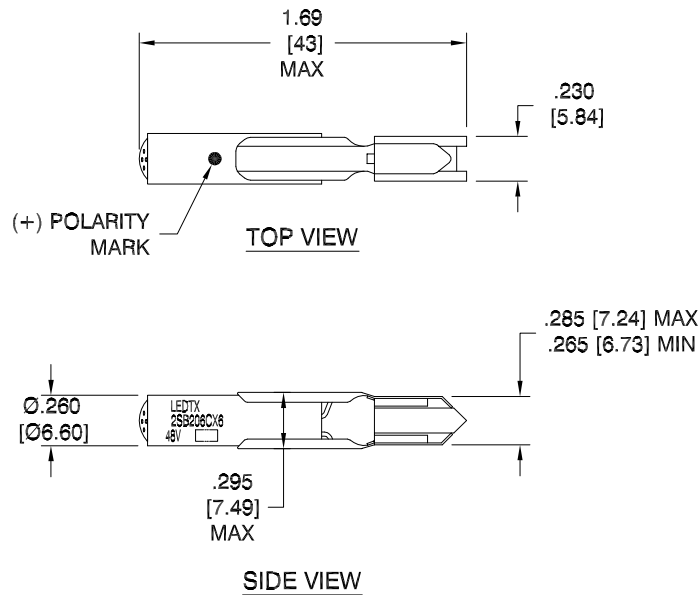


LTR	REVISION	DATE	APPD
A	053118-GP02: UPDATED TEST DATA	07-16-18	GP



NOTES:

1. ALL DIMENSIONS ARE IN INCHES [MILLIMETERS].
2. PARTS WITH (*) ARE "RoHS" CERTIFIED.
3. SLEEVE MATERIAL: EPOXY
4. BASE MATERIAL: INSULATOR IS MADE FROM NYLON #66 GRAY HSL103 ZYTEL/DUPONT FIXED BETWEEN (2) CONTACT BLADES.
 MATERIAL: CONTACT BLADE IS MADE FROM BRASS WITH NICKLE PLATED (BARREL).
5. REPLACES INCANDESCENT: 48A, 48D, 48C

REVISION NOTIFICATION	
<input type="checkbox"/> DLC	
<input type="checkbox"/> UL/ETL	
<input type="checkbox"/> MADE IN USA	
<input type="checkbox"/> CUSTOMER _____	
<input type="checkbox"/> OTHER	
REDLINE CHECKLIST	
<input type="checkbox"/> REDLINE(YES)	
<input type="checkbox"/> DATE: _____	
<input type="checkbox"/> INITIATED BY: _____	
<input type="checkbox"/> ECR REQUIRED YES <input type="checkbox"/> NO <input type="checkbox"/>	
<input type="checkbox"/> WORK ORDER# _____	

ELECTRICAL - OPTICAL CHARACTERISTICS (Ta = 25°C)

2SB206CG6-0001*	2SB206CG6-48V/15	HI-EFF GREEN	48Vdc	0.58 W	0.012 A	0.060cd	565	160°
2SB206C06-0001	2SB206C06-48V/15	SUPER ORANGE	48Vdc	0.60 W	0.012 A	0.045cd	608	160°
2SB206CR6-0001*	2SB206CR6-48V/15	HI-EFF RED	48Vdc	0.62 W	0.013 A	0.052cd	633	160°
2SB206CY6-0001*	2SB206CY6-48V/15	YELLOW	48Vdc	0.58 W	0.012 A	0.050cd	584	160°
LEDTRONICS PART NO.	DESCRIPTION PART NO.	COLOR EMITTED	INPUT VOLTAGE, V	POWER (W)	CURRENT (A)	MAXIMUM CANDELA	λP nm	VIEWING ANGLE (FULL BEAM WIDTH @ 50% INTENSITY)

 LEDTRONICS,™ INC. 23105 KASHIWA COURT TORRANCE, CA 90505	-PROPRIETARY- This document contains Proprietary information of LEDTRONICS,™ INC. It may not be copied, used or disclosed for any purpose without the prior express written consent of LEDTRONICS,™ INC.		TITLE 2SB206CX6-0001 (2SB206CX6-48V/15)					
	DWG NO	SCALE	SHEET	DATE				
	2SB206-48V-DC	1:1	1 OF 1	10-29-13				
CODE IDENT NO.	DWG BY	CHK BY	QA	EE	MFG LD	R&D KS		
8Z410	10-29-13		07-19-18	07-18-18	07-18-18			