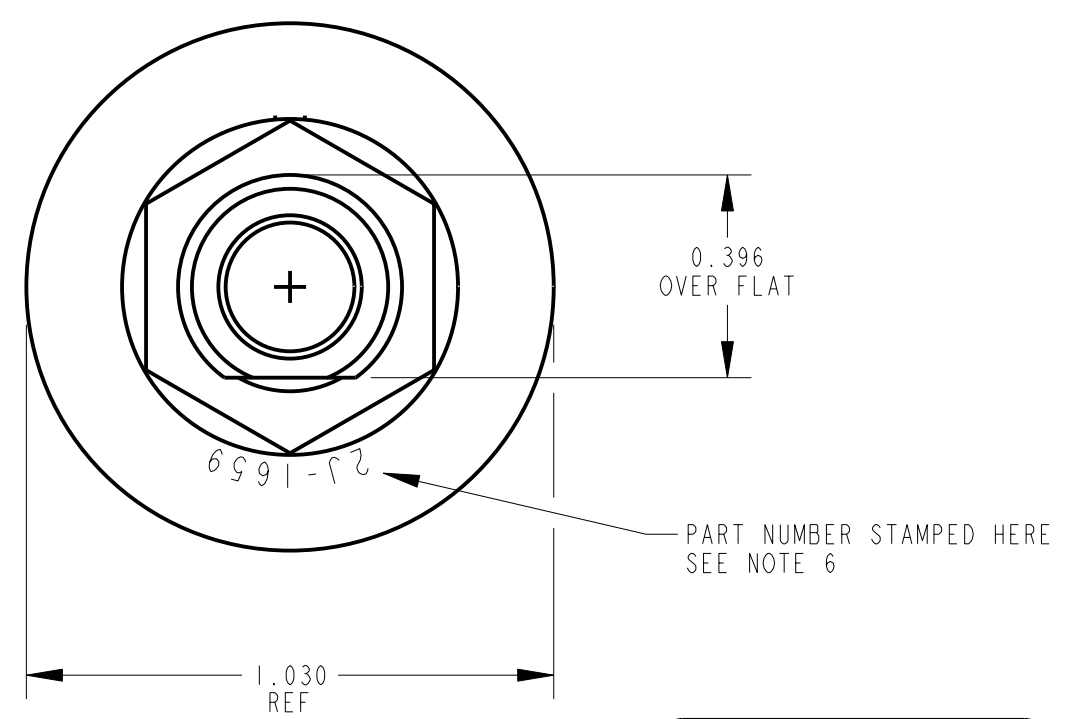
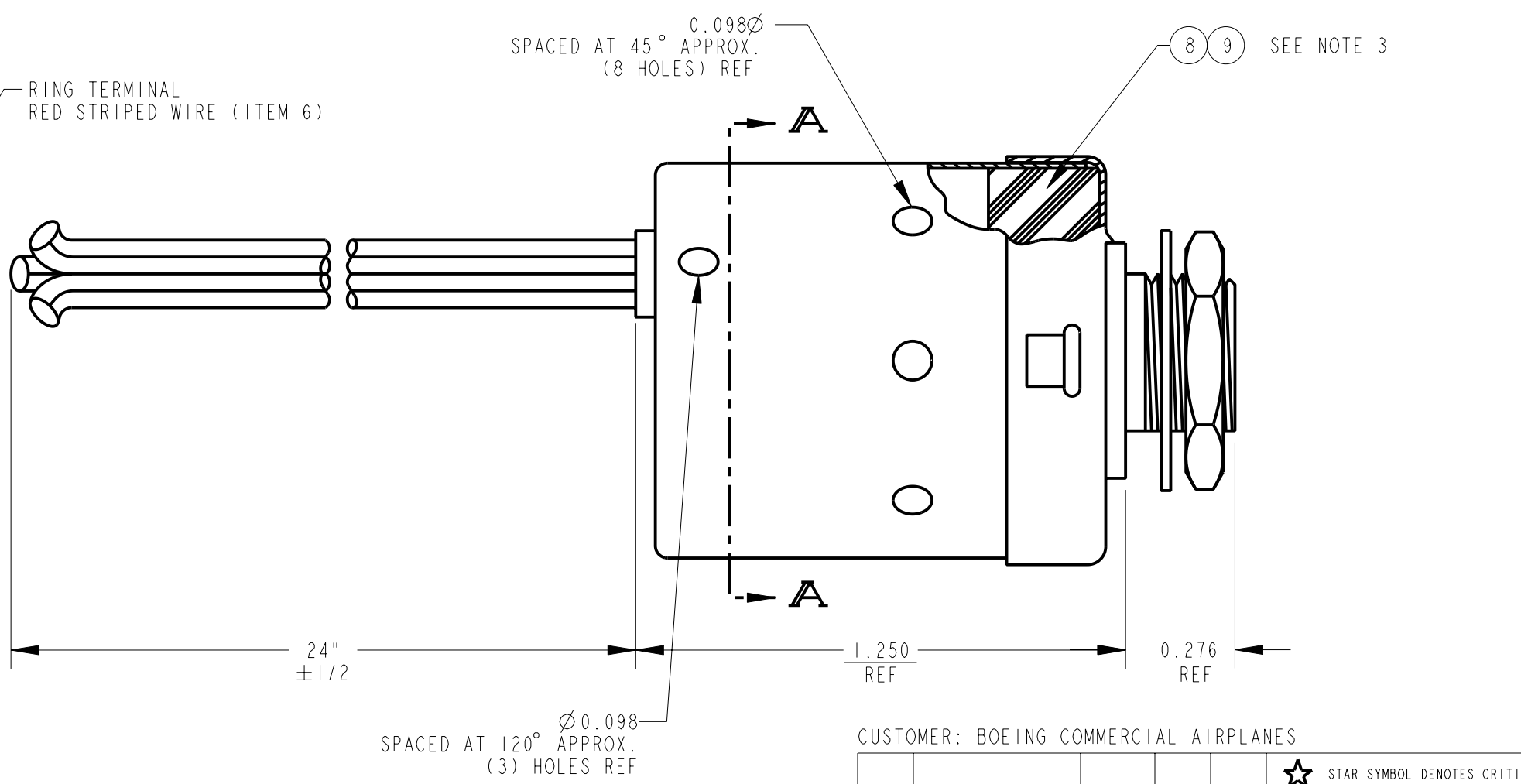
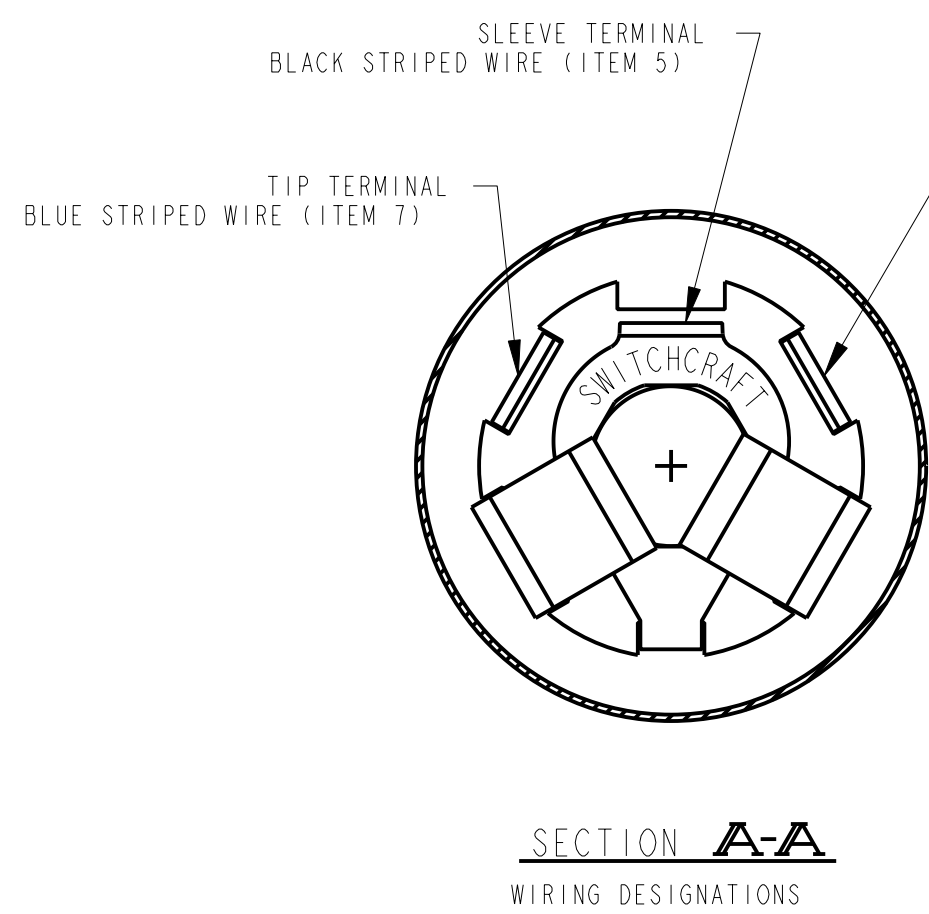
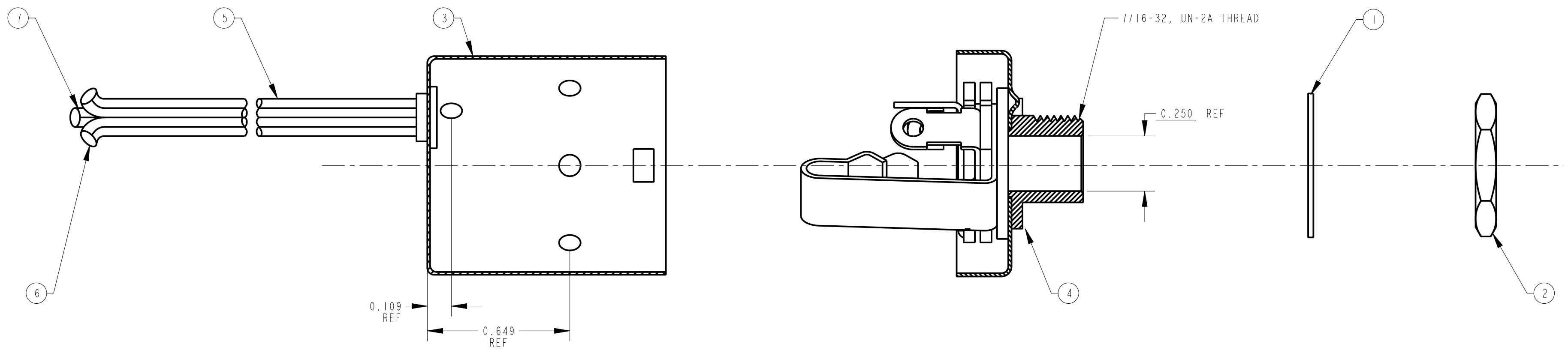


9	PRIMER, DOW CORNING 1201	AR
8	POTTING COMPOUND, DOW CORNING RTV 3110	AR
7	WIRE, 25 1/2", BLUE STRIPE	I
6	WIRE, 25 1/2", RED STRIPE	I
5	WIRE, 25 1/2", BLACK STRIPE	I
4	COVER/LITTEL JAX ASSEMBLY	I
3	CAN & BUSHING ASSEMBLY	I
2	HEX NUT PI489	I
1	WASHER, METAL PI4881	I
ITEM	DESCRIPTION	REQ'D
STOCK LIST		

NOTES:

- MATES WITH SWITCHCRAFT NO.482 PLUG.
- COVER IS PERMANENTLY SECURED TO CAN AFTER FINAL ASSEMBLY.
- JACK INSULATORS ARE COMPLETELY ENCASED IN DOW CORNING RTV 3110 POTTING COMPOUND.
- LEAD WIRE IS MIL-W-5086A, TYPE II AN22-9, 22AWG.
- SOLDERED WIRE CONNECTIONS AND JACK TERMINALS ARE FULLY INSULATED WITH PVC HEAT SHRINK SLEEVES.
- MAINTAIN PART NUMBER WITH DASH AS SHOWN ON BOM, DRAWING, AND SHIPPING BARCODE LABEL.



CUSTOMER DRAWING

CUSTOMER: BOEING COMMERCIAL AIRPLANES

<p>★ STAR SYMBOL DENOTES CRITICAL DIMENSION</p> <p>UNLESS OTHERWISE SPECIFIED</p> <p>1. ALL DIMENSIONS IN INCHES - TWO PLACE DECIMALS ±0.01 - THREE PLACE DECIMALS ±0.005 - ANGLES ±1° - ALL DIA. CONCENTRIC WITHIN 0.005 T.I.R.</p> <p>2. FEATURES ON THE SAME CENTERLINE MUST BE ALIGNED WITHIN ±0.002</p> <p>3. REMOVE ALL BURRS</p>				<p>THIS DRAWING DESCRIBES A DESIGN CONSIDERED PROPRIETARY IN NATURE, DEVELOPED AND MANUFACTURED BY SWITCHCRAFT INC. AND IS RELEASED ON A CONFIDENTIAL BASIS FOR IDENTIFICATION PURPOSES ONLY.</p>					
SIZE		WIDTH		MULT		LBS/M		TEMPER	
FINISH SPEC No.				MATERIAL SPEC No.					
FIRST USED ON				SCALE I = 0.375					
DATE DRAWN	BY	CHKD	APVD	<p>20-Aug-09 JEB 08-20-09 TJK 08-21-09</p>					
NAME				PART No.				REV	
SHIELDED "LITTEL JAX" ASSEMBLY				2J-1659				A	
DO NOT SCALE DRAWING									