

Safety relays - PSR-SPP- 24UC/ESL4/3X1/1X2/B



2981062

<https://www.phoenixcontact.com/de/produkte/2981062>

Please be informed that the data shown in this PDF document is generated from our Online Catalog. Please find the complete data in the user documentation. Our General Terms of Use for Downloads are valid.



Safety relay for emergency stop, safety door, and light grid monitoring up to SIL 3 or Cat. 4, PL e in accordance with EN ISO 13849, 1- or 2-channel operation, 3 enabling current paths, nominal input voltage: 24 V AC/DC, plug-in Push-in terminal block

Your advantages

- Manually monitored and automatic activation
- Up to Cat. 4/PL e in accordance with ISO 13849-1, SIL 3 in accordance with IEC 62061, SIL 3 in accordance with IEC 61508
- Three enabling and one signaling current path
- 1- and 2-channel control

Commercial Data

Item number	2981062
Packing unit	1 pc
Minimum order quantity	1 pc
Sales Key	G1 - Relais
Product Key	DNA123
Catalog Page	Page 231 (C-6-2019)
GTIN	4017918927196
Weight per Piece (including packing)	223,5 g
Weight per Piece (excluding packing)	193,9 g
Customs tariff number	85371098
Country of origin	DE

Technical Data

Product properties

Product type	Safety relays
Application	Emergency stop
	Safety door
	Light grid
Mechanical service life	approx. 10^7 cycles
Relay type	Electromechanical relay with force-guided contacts in accordance with IEC/EN 61810-3

Insulation characteristics

Overvoltage category	III
----------------------	-----

Electrical properties

Maximum power dissipation for nominal condition	1.68 W
Nominal operating mode	100% operating factor
Rated insulation voltage	250 V
Rated surge voltage/insulation	4 kV / basic insulation (safe isolation, reinforced insulation, and 6 kV between A1-A2/logic/enabling and signaling current paths)

Input data

General

Nominal input voltage U_N	24 V AC/DC
Input voltage range in reference to U_N	0.85 ... 1.1
Typical input current at U_N	150 mA AC
	70 mA DC
Voltage at input/start and feedback circuit	approx. 24 V DC
Typical response time	25 ms (manual start)
	100 ms (automatic start)
Typical release time	10 ms
Concurrency	∞
Recovery time	1 s
Protective circuit	Fuse; PTC resistor
	Surge protection; Suppressor diode
Operating voltage display	Green LED
Status display	Green LED

Output data

Contact type	3 enabling current paths
	1 signaling current path
Contact material	AgSnO ₂ , + 0.2 μ m Au
Maximum switching voltage	250 V AC/DC
Minimum switching voltage	15 V AC/DC

Safety relays - PSR-SPP- 24UC/ESL4/3X1/1X2/B



2981062

<https://www.phoenixcontact.com/de/produkte/2981062>

Limiting continuous current	6 A
Maximum inrush current	6 A
Inrush current, minimum	25 mA
Sq. Total current	$72 \text{ A}^2 (I_{\text{TH}}^2 = I_1^2 + I_2^2 + I_3^2)$
Interrupting rating (ohmic load) max.	144 W (24 V DC, $\tau = 0 \text{ ms}$)
	288 W (48 V DC, $\tau = 0 \text{ ms}$)
	77 W (110 V DC, $\tau = 0 \text{ ms}$)
	88 W (220 V DC, $\tau = 0 \text{ ms}$)
	1500 VA (250 V AC, $\tau = 0 \text{ ms}$)
Maximum interrupting rating (inductive load)	48 W (24 V DC, $\tau = 40 \text{ ms}$)
	40 W (48 V DC, $\tau = 40 \text{ ms}$)
	35 W (110 V DC, $\tau = 40 \text{ ms}$)
	33 W (220 V DC, $\tau = 40 \text{ ms}$)
Switching capacity min.	0.4 W
Switching capacity (360/h cycles)	6 A (24 V DC)
	5 A (230 V AC)
Switching capacity (3600/h cycles)	3 A (24 V (DC13))
	3 A (230 V (AC 15))
Output fuse	10 A gL/gG NEOZED (N/O contact)

Connection data

Connection technology

pluggable	yes
-----------	-----

Conductor connection

Connection method	Push-in connection
Conductor cross section solid	0.2 mm ² ... 1.5 mm ²
Conductor cross section flexible	0.2 mm ² ... 1.5 mm ²
Conductor cross section, flexible, with ferrule, with plastic sleeve	0.25 mm ² ... 1.5 mm ² (only together with CRIMPFOX 6)
Conductor cross section flexible, with ferrule without plastic sleeve	0.25 mm ² ... 1.5 mm ² (only together with CRIMPFOX 6)
Conductor cross-section AWG	24 ... 16
Stripping length	8 mm

Dimensions

Width	22.5 mm
Height	112 mm
Depth	114.5 mm

Material specifications

Housing material	Polyamide
Color (Housing)	yellow (1018)

Characteristics

Safety relays - PSR-SPP- 24UC/ESL4/3X1/1X2/B



2981062

<https://www.phoenixcontact.com/de/produkte/2981062>

Safety data

Stop category	0
---------------	---

Safety data: EN ISO 13849

Category	4
Performance level (PL)	e

Safety data: IEC 61508 - High demand

Designation	Data only applies if the safety function is demanded at least once a year and the signal contact is read back.
Safety Integrity Level (SIL)	3
SFF _{Single-channel}	100 %
SFF _{Two-channel}	96.11 %
Mean time to a dangerous failure (MTTF _D)	205243 Years
Probability of a hazardous failure per hour (PFH _D)	5.56×10^{-10}
Diagnostic coverage (DC)	91.1 %
Proof test interval	240 Months
Duration of use	240 Months

Safety data: IEC 61508 - Low demand

Designation	The data is only valid if the demand rate is no more than once a year.
Safety Integrity Level (SIL)	3
SFF _{Single-channel}	100 %
SFF _{Two-channel}	80.35 %
Mean time to a dangerous failure (MTTF _D)	17913 Years
Probability of a hazardous failure on demand (PFD _{AVG})	1.50×10^{-4}
Diagnostic coverage (DC)	0 %
Proof test interval	75 Months
Duration of use	240 Months

Environmental and real-life conditions

Ambient conditions

Degree of protection	IP20
Min. degree of protection of inst. location	IP54
Ambient temperature (operation)	-20 °C ... 55 °C
Ambient temperature (storage/transport)	-40 °C ... 70 °C
Maximum altitude	≤ 2000 m (Above sea level)
Max. permissible humidity (storage/transport)	75 % (on average, 85% infrequently, non-condensing)
Max. permissible relative humidity (operation)	75 % (on average, 85% infrequently, non-condensing)
Shock	15g
Vibration (operation)	10 Hz ... 150 Hz, 2g

Standards and regulations

Air clearances and creepage distances between the power circuits

Safety relays - PSR-SPP- 24UC/ESL4/3X1/1X2/B



2981062

<https://www.phoenixcontact.com/de/produkte/2981062>

Standards/regulations	DIN EN 50178/VDE 0160
-----------------------	-----------------------

Mounting

Mounting type	DIN rail mounting
Mounting position	any

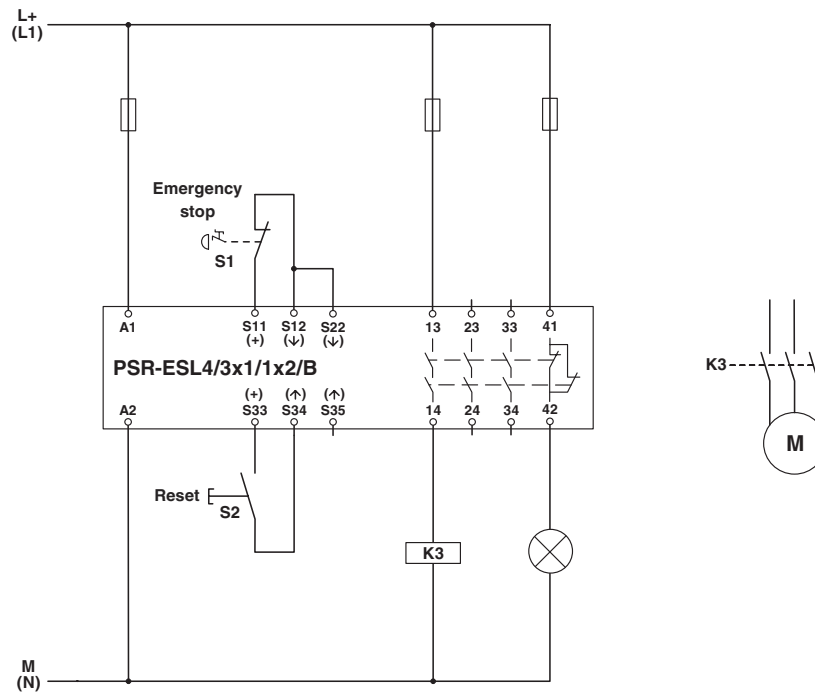
Safety relays - PSR-SPP- 24UC/ESL4/3X1/1X2/B

2981062

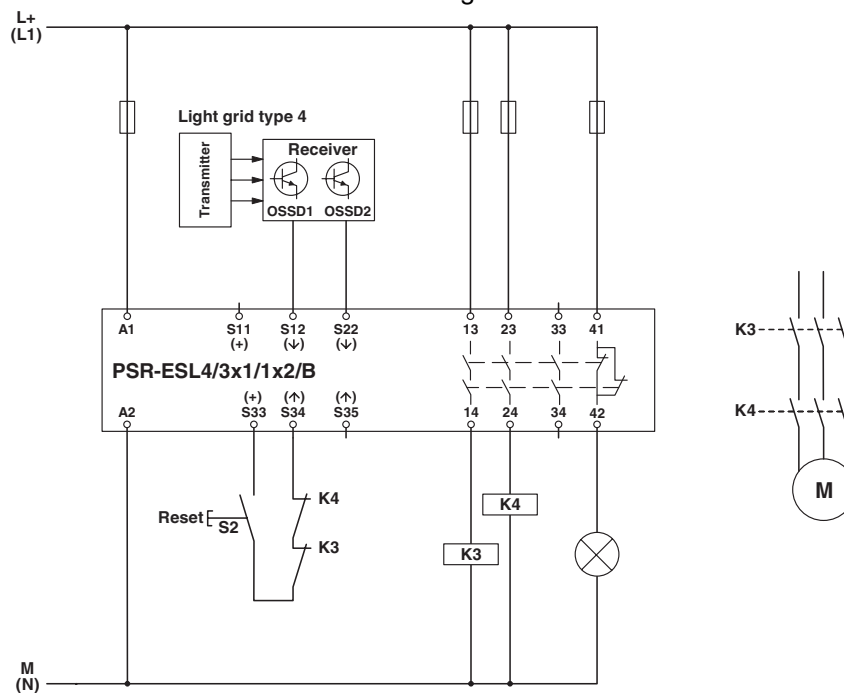
<https://www.phoenixcontact.com/de/produkte/2981062>

Drawings

Circuit diagram



Circuit diagram

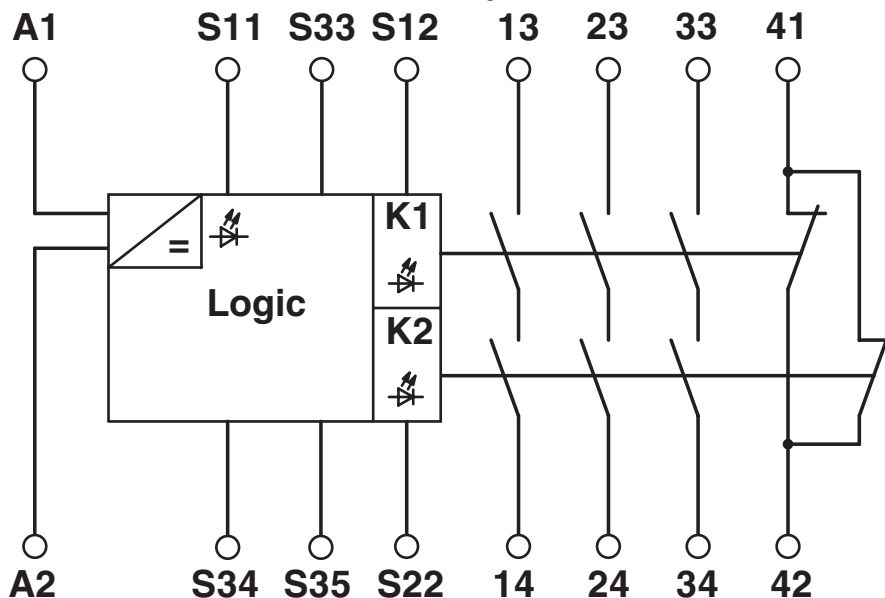


Safety relays - PSR-SPP- 24UC/ESL4/3X1/1X2/B

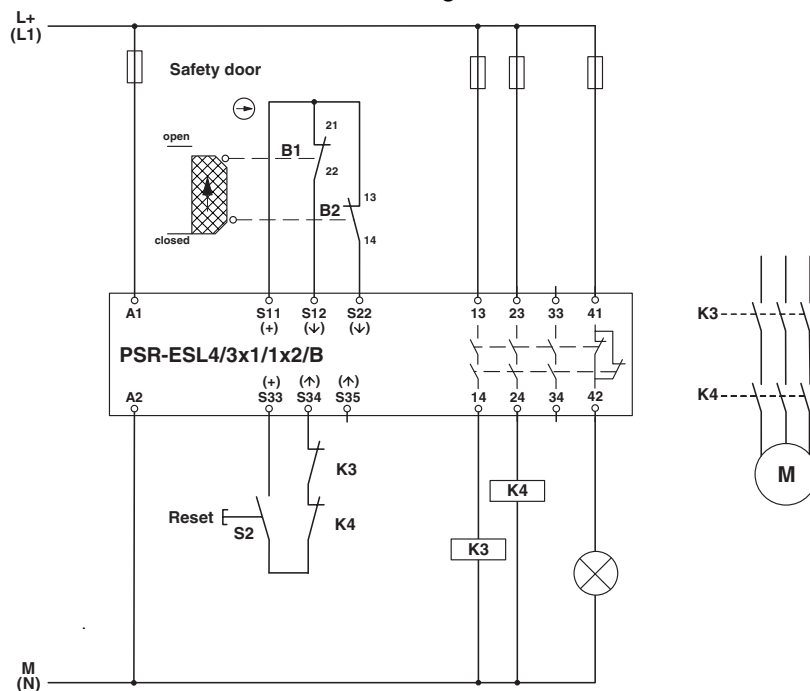
2981062

<https://www.phoenixcontact.com/de/produkte/2981062>

Circuit diagram



Circuit diagram

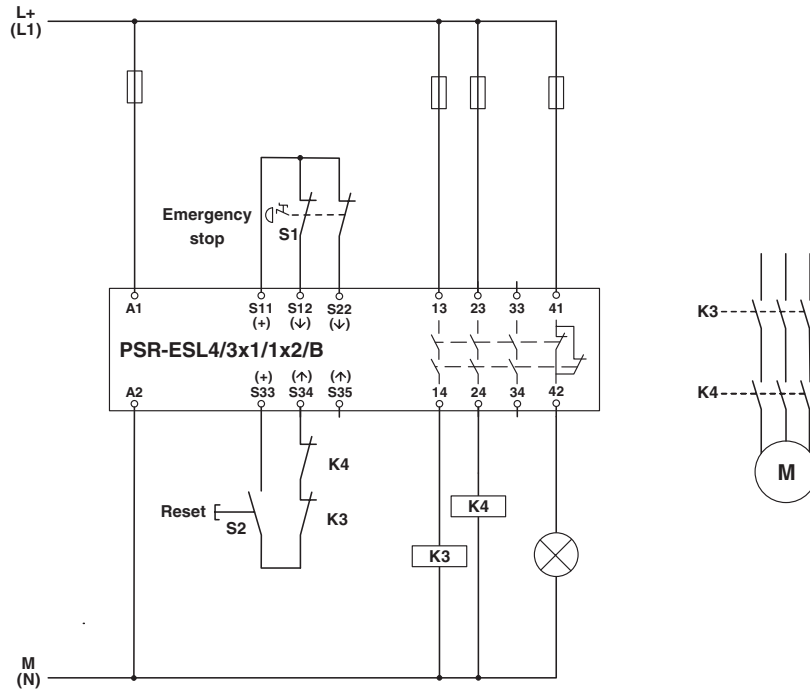


Safety relays - PSR-SPP- 24UC/ESL4/3X1/1X2/B

2981062

<https://www.phoenixcontact.com/de/produkte/2981062>

Circuit diagram



Safety relays - PSR-SPP- 24UC/ESL4/3X1/1X2/B



2981062

<https://www.phoenixcontact.com/de/produkte/2981062>

Approvals



EAC

Approval ID: TR_TS_D_00573_c



UL Listed

Approval ID: FILE E 140324



cUL Listed

Approval ID: FILE E 140324



Functional Safety

Approval ID: 01/205/5265.03/22

cULus Listed

Safety relays - PSR-SPP- 24UC/ESL4/3X1/1X2/B



2981062

<https://www.phoenixcontact.com/de/produkte/2981062>

Classifications

ECLASS

ECLASS-9.0	27371819
ECLASS-10.0.1	27371819
ECLASS-11.0	27371819

ETIM

ETIM 8.0	EC001449
----------	----------

UNSPSC

UNSPSC 21.0	39122200
-------------	----------

Safety relays - PSR-SPP- 24UC/ESL4/3X1/1X2/B



2981062

<https://www.phoenixcontact.com/de/produkte/2981062>

Environmental Product Compliance

REACH SVHC	Lead 7439-92-1
China RoHS	Environmentally Friendly Use Period = 50 years
	For information on hazardous substances, refer to the manufacturer's declaration available under "Downloads"

Phoenix Contact 2023 © - all rights reserved

<https://www.phoenixcontact.com>

PHOENIX CONTACT Deutschland GmbH

Flachsmarktstraße 8

D-32825 Blomberg

+49 52 35/3-1 20 00

info@phoenixcontact.de