

Relay Module - EMG 45-REL/IR-W230/HWR



2952185

<https://www.phoenixcontact.com/us/products/2952185>

Please be informed that the data shown in this PDF document is generated from our Online Catalog. Please find the complete data in the user documentation. Our General Terms of Use for Downloads are valid.



Relay module, with soldered-in industrial relay, contact: 2 changeover contacts, for multi-input fault warnings, with input diode gate in P polarity (6 diodes 1N4007) and capacitor parallel to the coil as well as a multi-input LED display, input voltage 230 V AC

Relay Module - EMG 45-REL/IR-W230/HWR



2952185

<https://www.phoenixcontact.com/us/products/2952185>

Commercial Data

Item number	2952185
Packing unit	1 pc
Minimum order quantity	5 pc
Sales Key	C05
Product Key	CK6147
Catalog Page	Page 117 (IF-2005)
GTIN	4017918084356
Weight per Piece (including packing)	125.66 g
Weight per Piece (excluding packing)	125.66 g
Customs tariff number	85364900
Country of origin	DE

Technical Data

Notes

Notes on operation	During installation, the system must be connected in phase.
Utilization restriction	
EMC note	EMC: class A product, see manufacturer's declaration in the download area

Product properties

Product type	Relay Module
Application	Fault reporting system
Mechanical service life	> 10 ⁷ cycles

Insulation characteristics

Overvoltage category	II
Pollution degree	2

Electrical properties

Maximum power dissipation for nominal condition	3.68 W
Test voltage	2 kV AC (50 Hz, 1 min., winding/contact)

Input data

Diode

Description of the input	6 diodes, with P polarity
Diode type	1 N 4007
Max. operating voltage U _{max}	250 V AC
Peak reverse voltage per diode	1300 V
Reverse current per diode	30 µA
Conducting state voltage per diode	approx. 0.8 V
Conducting state current per diode	0.7 A (with single load)
	0.2 A (with simultaneous loads)

Coil side

Nominal input voltage U _N	230 V AC
Input voltage range	207 V AC ... 253 V AC (20 °C)
Mains frequency	50/60 Hz
Typical input current at U _N	approx. 16 mA
Typical response time	5 ms ... 15 ms
Typical release time range	15 ms ... 25 ms
Protective circuit	Decoupling diodes; Decoupling diodes
	Capacitor; Capacitor
Operating voltage display	LED red
Coil resistance	19.5 kΩ
Nominal power consumption	approx. 1 VA

Output data

Switching

Contact type	Single contact, 2 changeover contacts
Type of switch contact	Single contact
Drive and function	monostable
Contact material	AgNi
Maximum switching voltage	250 V AC 110 V DC
Limiting continuous current	3 A
Maximum inrush current	5 A
Interrupting rating (ohmic load) max.	750 VA

Connection data

Coil side

Connection method	Screw connection
Stripping length	8 mm
Screw thread	M3
Conductor cross section solid	0.2 mm ² ... 4 mm ²
Conductor cross section flexible	0.2 mm ² ... 2.5 mm ²
Conductor cross section AWG	24 ... 12

Contact side

Connection method	Screw connection
Stripping length	8 mm
Screw thread	M3
Conductor cross section solid	0.2 mm ² ... 4 mm ²
Conductor cross section flexible	0.2 mm ² ... 2.5 mm ²
Conductor cross section AWG	24 ... 12

Dimensions

Width	45 mm
Height	75 mm
Depth	82.5 mm

Environmental and real-life conditions

Ambient conditions

Ambient temperature (operation)	-20 °C ... 50 °C
Ambient temperature (storage/transport)	-20 °C ... 70 °C

Standards and regulations

Standards/regulations	DIN VDE 0110b, Gr. C for 250 V DC DIN EN 50178/VDE 0160 (in relevant parts)
-----------------------	--

Relay Module - EMG 45-REL/IR-W230/HWR



2952185

<https://www.phoenixcontact.com/us/products/2952185>

Mounting

Mounting type	DIN rail mounting
Assembly instructions	in rows with zero spacing
Mounting position	any

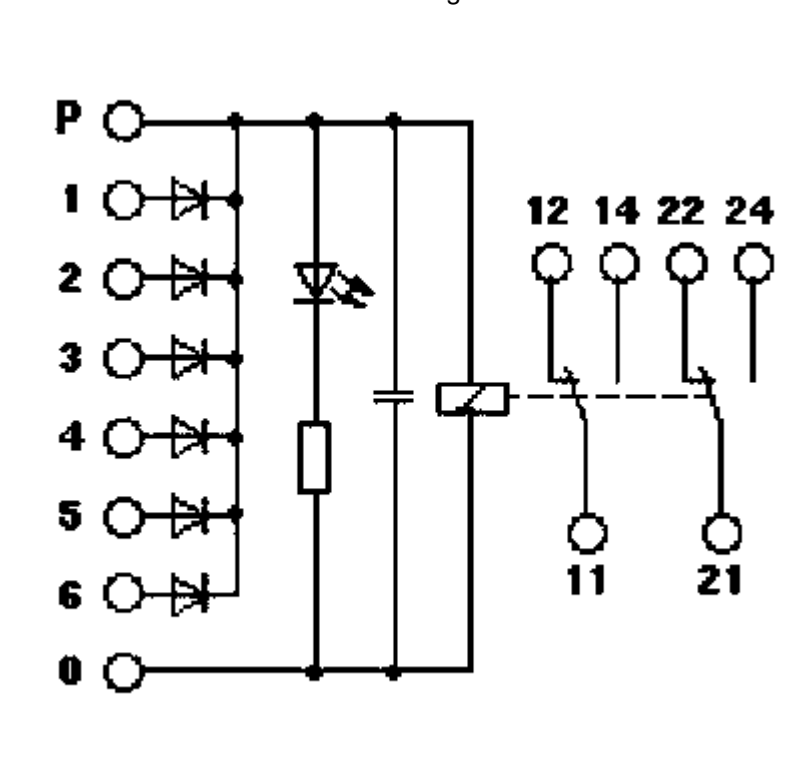
Relay Module - EMG 45-REL/IR-W230/HWR

2952185

<https://www.phoenixcontact.com/us/products/2952185>

Drawings

Circuit diagram



Relay Module - EMG 45-REL/IR-W230/HWR



2952185

<https://www.phoenixcontact.com/us/products/2952185>

Approvals



EAC

Approval ID: TR_TS_D_00573_c



EAC

Approval ID: RU*C-DE.*08.B.00010

Relay Module - EMG 45-REL/IR-W230/HWR



2952185

<https://www.phoenixcontact.com/us/products/2952185>

Classifications

ECLASS

ECLASS-10.0.1	27371601
ECLASS-9.0	27371601
ECLASS-11.0	27371601

ETIM

ETIM 8.0	EC001437
----------	----------

UNSPSC

UNSPSC 21.0	39122300
-------------	----------

Relay Module - EMG 45-REL/IR-W230/HWR



2952185

<https://www.phoenixcontact.com/us/products/2952185>

Environmental Product Compliance

REACH SVHC	Lead 7439-92-1
China RoHS	Environmentally Friendly Use Period = 50 years
	For information on hazardous substances, refer to the manufacturer's declaration available under "Downloads"

Phoenix Contact 2022 © - all rights reserved

<https://www.phoenixcontact.com>

Phoenix Contact USA
586 Fulling Mill Road
Middletown, PA 17057, United States
(+717) 944-1300
info@phoenixcon.com