



Extract from the online catalog

EMK 12-LG

Order No.: 2757720



<http://eshop.phoenixcontact.de/phoenix/treeViewClick.do?UID=2757720>

Electronic housing, with universal foot, for PCB insertion

Commercial data	
EAN	4017918132200
Pack	10 pcs.
Customs tariff	85369010
Weight/Piece	0.014 KG
Catalog page information	Page 298 (CC-2002)

Product notes

WEEE/RoHS-compliant since:
04/01/2005



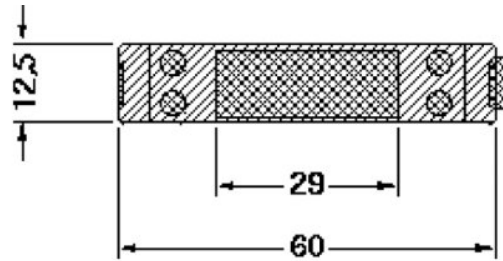
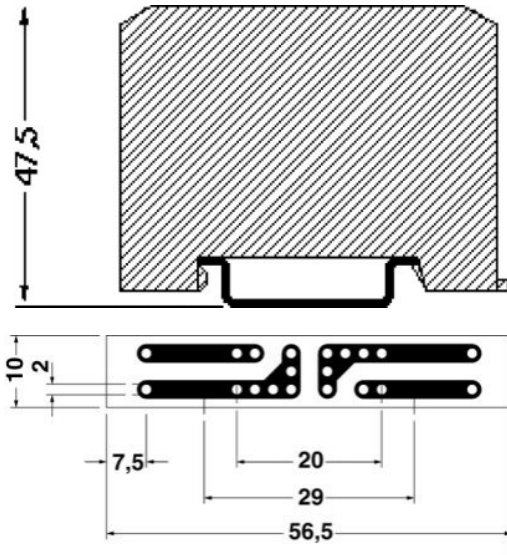
<http://www.download.phoenixcontact.com>
Please note that the data given here has been taken from the online catalog. For comprehensive information and data, please refer to the user documentation. The General Terms and Conditions of Use apply to Internet downloads.

EMK 12-LG Order No.: 2757720

<http://eshop.phoenixcontact.de/phoenix/treeViewClick.do?UID=2757720>

Drawings

Dimensioned drawing



Overall component area EMK 12

onlinecomponents.com

EMK 12-LG Order No.: 2757720

<http://eshop.phoenixcontact.de/phoenix/treeViewClick.do?UID=2757720>

Address

PHOENIX CONTACT GmbH & Co. KG
Flachsmarktstr. 8
32825 Blomberg, Germany
Phone +49 5235 3 00
Fax +49 5235 3 41200
<http://www.phoenixcontact.de>



© 2009 Phoenix Contact
Technical modifications reserved;

onlinecomponents.com