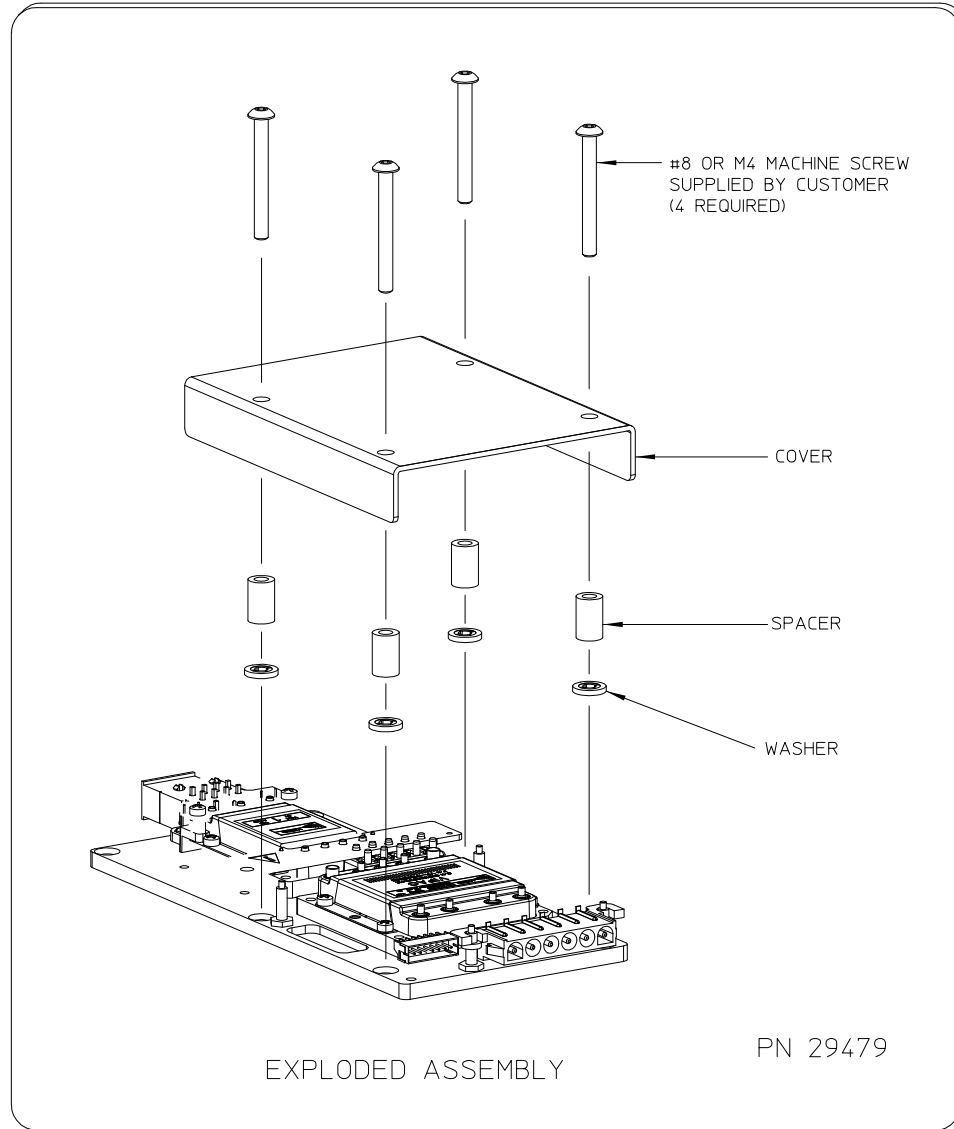

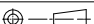


THIS DOCUMENT AND THE DATA DISCLOSED  
HEREIN OR HEREWITH IS NOT TO BE REPRODUCED,  
USED, OR DISCLOSED IN WHOLE OR IN PART  
TO ANYONE WITHOUT PERMISSION OF VICOR CORP.

REV.	DESCRIPTION	DATE	APPROVED
#1	DRAWN FOR DEVELOPMENT	DPK 03/02/05	CF
#2	Revised description	SRG 03/07/08	ML



DRAWN BY <i>D.P. KELLY</i>		DATE <i>03/05</i>		 <b>INSTRUCTION CARD</b> <b>VIPAC COVER ASSEMBLY</b>	
<small>UNLESS OTHERWISE SPECIFIED DIMENSIONS ARE IN INCHES- TOLERANCES ARE: FRACTIONS DECIMALS ANGLES +1/64 .XX+ .01 +1° .XXX-.005</small>					
THIRD ANGLE PROJECTION 		SIZE <b>C</b>	FSCM NO. <b>67131</b>	DWG NO. <b>29479</b>	REV <b>#2</b>
DO NOT SCALE DRAWING		SCALE 1:1	SHEET 1 OF 1		