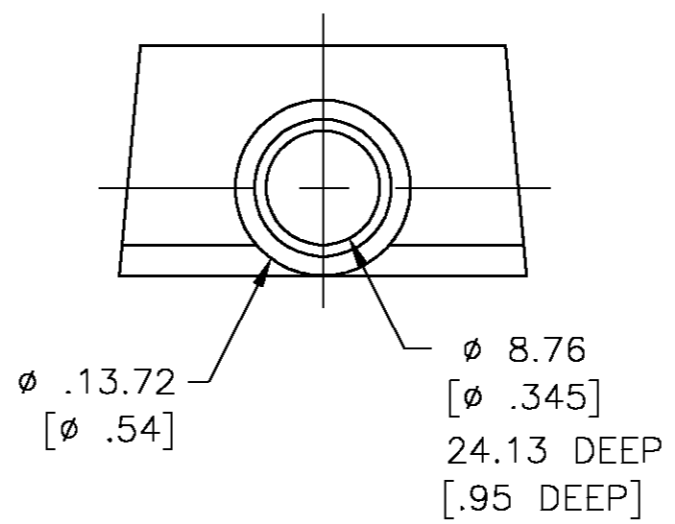
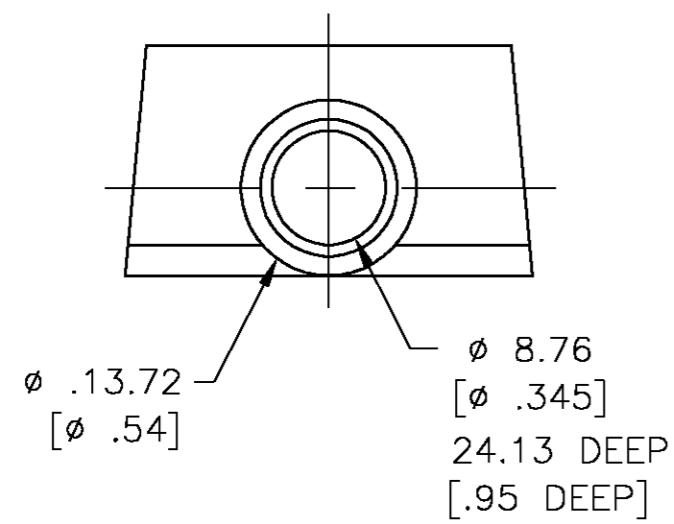
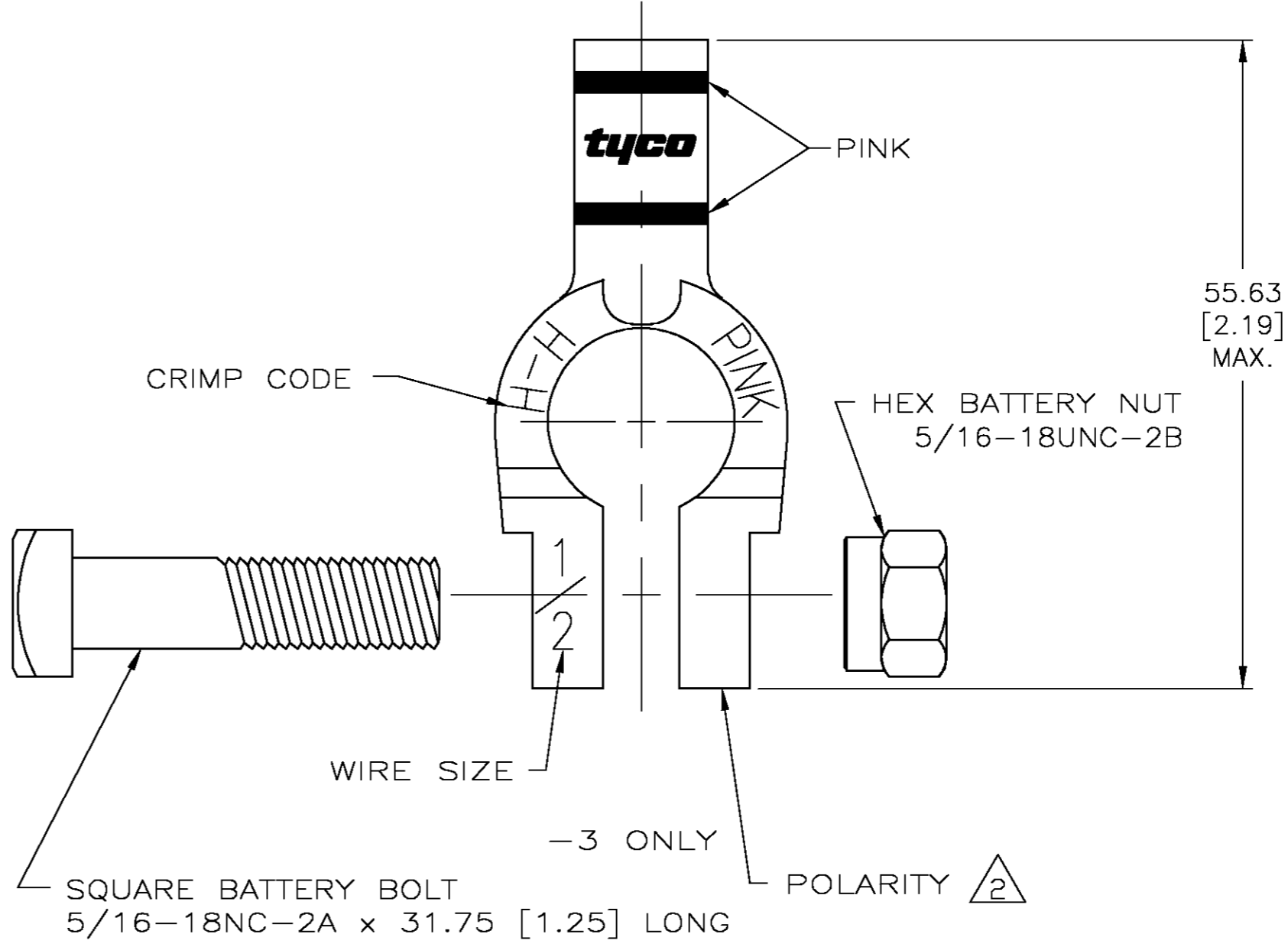
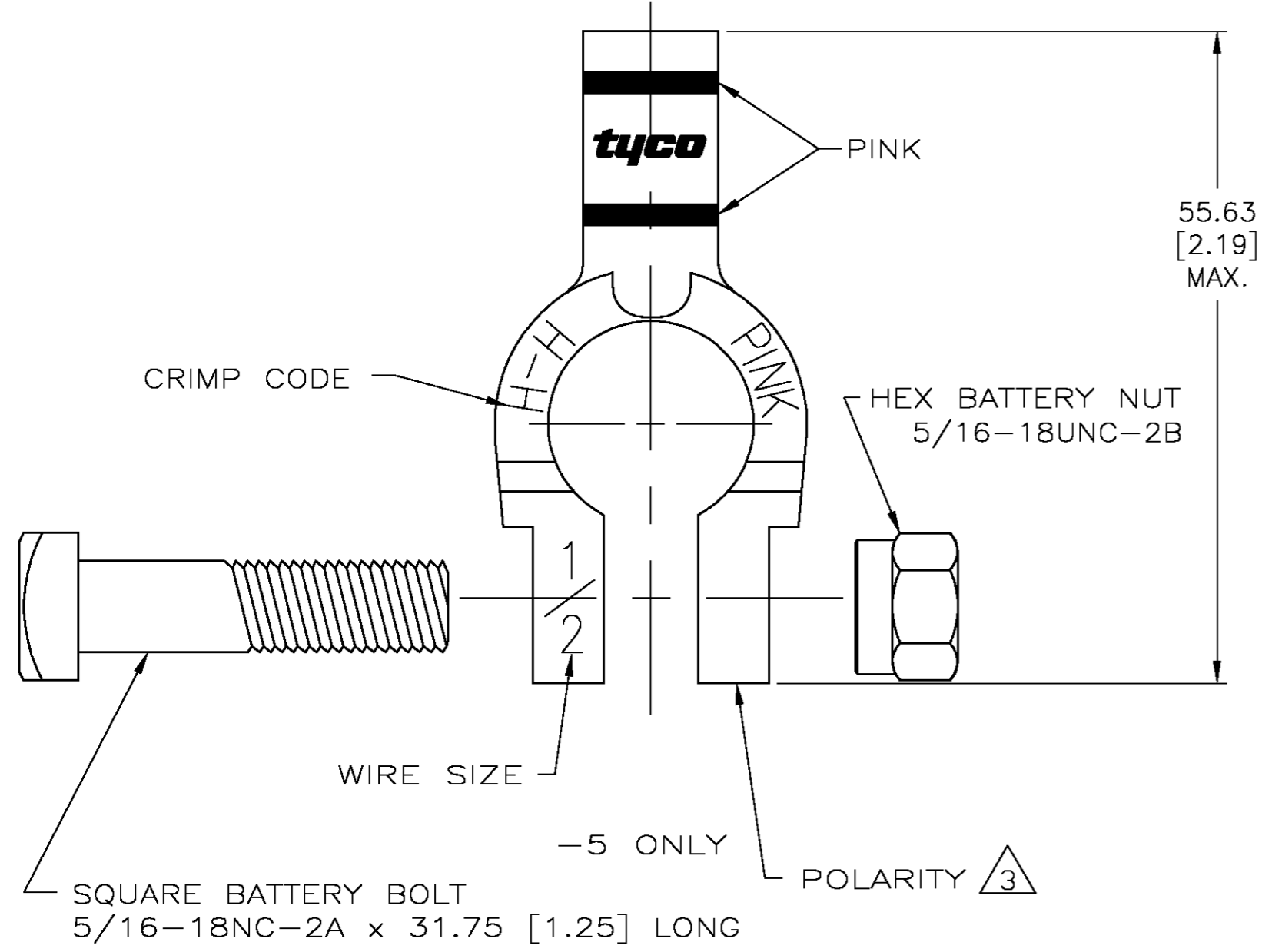


THIS DRAWING IS UNPUBLISHED. RELEASED FOR PUBLICATION
 © COPYRIGHT BY TYCO ELECTRONICS CORPORATION. ALL RIGHTS RESERVED.

LOC	DIST	REVISIONS					
HM	00	P	LTR	DESCRIPTION	DATE	DWN	APVD
		F		REV; EC 0B40-0100-02	28MAR02	LH	MD
		G		REV-EC 0B40-0105-04	23JUN04	LH	SM
		H		REV-EC 0B40-0177-04	02AUG04	LH	SM



- 1 MATERIAL: TERMINAL- 131 CONTACT COPPER ELECTRO PLATED TIN FINISH. BOLT AND NUT - ZINC PLATED CARBON STEEL.
- 2 FITS NEGATIVE SAE BATTERY POST.
- 3 FITS POSITIVE SAE BATTERY POST.
- 4 AMP ROTA-CRIMP CRIMPING TOOL SHALL BE USED FOR INSTALLATION OF CABLE.



6.93-8.76 [.273-.345]	P	4	H-H	1/2	29249-5
6.93-8.76 [.273-.345]	N	3	H-H	1/2	29249-3
φCABLE RANGE	POLARITY	CRIMP CODE	WIRE SIZE	PART NO.	

THIS DRAWING IS A CONTROLLED DOCUMENT.

DWN L. HALL 27MAR2002	 Tyco Electronics Corporation Harrisburg, Pa., 17105-3608
CHK M. DELPHIAS 28MAR02	
APVD M. DELPHIAS 28MAR02	
PRODUCT SPEC	
APPLICATION SPEC	BATTERY TERMINAL ASSEMBLY, STRAIGHT TYPE
WEIGHT -	SIZE A2 CAGE CODE 00779 DRAWING NO. C=29249 RESTRICTED TO
CUSTOMER DRAWING	SCALE 2:1 SHEET 1 OF 1 REV H

OBSOLETE
NOT the LATEST REVISION