

# GDT-US-NG/40-P - Type 1 surge protection plug



2910342

<https://www.phoenixcontact.com/de/produkte/2910342>

Please be informed that the data shown in this PDF document is generated from our Online Catalog. Please find the complete data in the user documentation. Our General Terms of Use for Downloads are valid.



UL Recognized type 1 SPD and IEC type 2 surge protection plug with a gas discharge tube and thermal disconnect for use with VAL-US base elements, mechanical and visual fault warning

## Product Description

Surge protective device replacement plug

## Commercial Data

Item number	2910342
Packing unit	1 pc
Minimum order quantity	1 pc
Sales Key	K1 - Überspannungsschutz
Product Key	CL1321
Catalog Page	Page 93 (C-4-2019)
GTIN	4055626444840
Weight per Piece (including packing)	42,5 g
Weight per Piece (excluding packing)	40 g
Customs tariff number	85363030
Country of origin	DE

# GDT-US-NG/40-P - Type 1 surge protection plug

2910342

<https://www.phoenixcontact.com/de/produkte/2910342>

## Technical Data

### Notes

General	Used in:
---------	----------

### Product properties

IEC test classification	II
	T2
EN type	T2
Type	Male
Product type	Replacement plug
Product family	VALVETRAB MS
Number of positions	1
Surge protection fault message	optical

### Insulation characteristics

Overvoltage category	III
Pollution degree	2

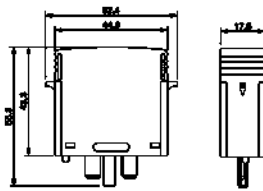
### Electrical properties

Nominal frequency $f_N$	50 Hz (60 Hz)
-------------------------	---------------

### Connection data

Connection method	VALVETRAB plug-in system
-------------------	--------------------------

### Dimensions

Dimensional drawing	
Width	17.5 mm
Height	52.4 mm
Depth	55.3 mm
Horizontal pitch	1 Div.

### Material specifications

Color	jet black RAL 9005
Flammability rating according to UL 94	V-0
CTI value of material	600
Insulating material	PA 6.6/PBT
Material group	I
Housing material	PA 6.6

# GDT-US-NG/40-P - Type 1 surge protection plug



2910342

<https://www.phoenixcontact.com/de/produkte/2910342>

PBT

## Protective circuit

Mode of protection	N-PE
Direction of action	N-PE
Nominal voltage $U_N$	277/480 V AC (TN-S) 277/480 V AC (TT)
Nominal frequency $f_N$	50 Hz (60 Hz)
Maximum continuous voltage $U_C$	305 V AC
Residual current $I_{PE}$	$\leq 5 \mu\text{A}$
Standby power consumption $P_C$	$\leq 1.5 \text{ mVA}$
Nominal discharge current $I_n$ (8/20) $\mu\text{s}$	20 kA
Maximum discharge current $I_{max}$ (8/20) $\mu\text{s}$	40 kA
Follow current interrupt rating $I_{fi}$	100 A (260 V)
Voltage protection level $U_p$	$\leq 1.5 \text{ kV}$
Residual voltage $U_{res}$	$\leq 0.4 \text{ kV}$ (at $I_n$ ) $\leq 0.25 \text{ kV}$ (at 10 kA) $\leq 0.15 \text{ kV}$ (at 5 kA) $\leq 0.1 \text{ kV}$ (at 3 kA)
Front of wave sparkover voltage at 6 kV (1.2/50) $\mu\text{s}$	$\leq 1.5 \text{ kV}$
TOV behavior at $U_T$	1200 V AC (200 ms / withstand mode)
Response time $t_A$	$\leq 100 \text{ ns}$

## Environmental and real-life conditions

### Ambient conditions

Degree of protection	IP20
Ambient temperature (operation)	-40 °C ... 80 °C
Ambient temperature (storage/transport)	-40 °C ... 80 °C
Altitude	$\leq 2000 \text{ m}$ (amsl (above mean sea level))
Permissible humidity (operation)	5 % ... 95 %
Shock (operation)	25g (Half-sine / 11 ms / 3x $\pm X$ , $\pm Y$ , $\pm Z$ )
Vibration (operation)	5g (10 ... 500 Hz / 2.5 h / X, Y, Z)

## Approvals

### UL specifications

Maximum continuous operating voltage MCOV	305 V AC
Voltage protection rating VPR	1200 V
UL type	type 1
Nominal discharge current $I_n$	20 kA
Maximum Surge Current per Phase	40 kA
Mode of protection	N-G
Nominal voltage	277 V AC
Power distribution system	Single phase

# GDT-US-NG/40-P - Type 1 surge protection plug



2910342

<https://www.phoenixcontact.com/de/produkte/2910342>

Nominal frequency	50/60 Hz
SPD Type	1CA

## Standards and regulations

Standards/specifications	IEC 61643-11
Standards/specifications	EN 61643-11

## Mounting

Mounting type	on base element
---------------	-----------------

# GDT-US-NG/40-P - Type 1 surge protection plug

2910342

<https://www.phoenixcontact.com/de/produkte/2910342>

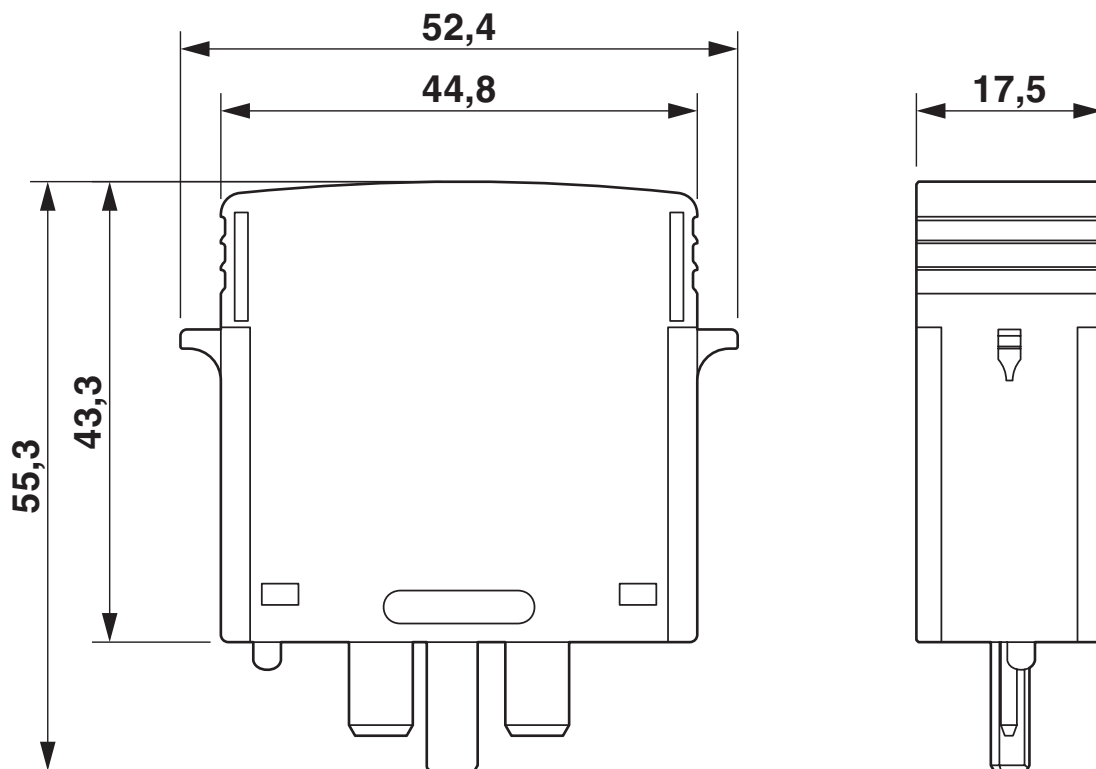


## Drawings

Circuit diagram



Dimensional drawing



# GDT-US-NG/40-P - Type 1 surge protection plug



2910342

<https://www.phoenixcontact.com/de/produkte/2910342>

## Approvals



**cUL Recognized**

Approval ID: FILE E 330181



**UL Recognized**

Approval ID: FILE E 330181

# GDT-US-NG/40-P - Type 1 surge protection plug



2910342

<https://www.phoenixcontact.com/de/produkte/2910342>

## Classifications

### ECLASS

ECLASS-11.0

27130890

### ETIM

ETIM 8.0

EC002496

### UNSPSC

UNSPSC 21.0

39121600

# GDT-US-NG/40-P - Type 1 surge protection plug



2910342

<https://www.phoenixcontact.com/de/produkte/2910342>

## Environmental Product Compliance

China RoHS	Environmentally friendly use period: unlimited = EFUP-e
	No hazardous substances above threshold values

# GDT-US-NG/40-P - Type 1 surge protection plug

2910342

<https://www.phoenixcontact.com/de/produkte/2910342>

## Accessories

### VAL-US-120/40/1+1-FM - Type 1 surge protection device

2910349

<https://www.phoenixcontact.com/de/produkte/2910349>



Surge protective device, two channel with remote indicator contact for 120 V AC, 2-wire plus ground.

---

### VAL-US-120/40/2+1-FM - Type 1 surge protection device

2910352

<https://www.phoenixcontact.com/de/produkte/2910352>



Surge protective device, three channel with remote indicator contact for 120/240 V split phase AC, 3-wire plus ground.

# GDT-US-NG/40-P - Type 1 surge protection plug

2910342

<https://www.phoenixcontact.com/de/produkte/2910342>



## VAL-US-120/40/3+1-FM - Type 1 surge protection device

2910354

<https://www.phoenixcontact.com/de/produkte/2910354>



Surge protective device, four channel with remote indicator contact for 120/208 V Wye three phase AC, 4-wire plus ground.

---

## VAL-US-240/40/1+1-FM - Type 1 surge protection device

2910362

<https://www.phoenixcontact.com/de/produkte/2910362>



Surge protective device, two channel with remote indicator contact for 240 V AC, 2-wire plus ground.

# GDT-US-NG/40-P - Type 1 surge protection plug

2910342

<https://www.phoenixcontact.com/de/produkte/2910342>



## VAL-US-240/40/2+1-FM - Type 1 surge protection device

2910365

<https://www.phoenixcontact.com/de/produkte/2910365>



Surge protective device, three channel with remote indicator contact for 240/480 V split phase AC, 3-wire plus ground.

---

## VAL-US-240/40/3+1-FM - Type 1 surge protection device

2910367

<https://www.phoenixcontact.com/de/produkte/2910367>



Surge protective device, four channel with remote indicator contact for 240/415 V AC, 4-wire plus ground.

## GDT-US-NG/40-P - Type 1 surge protection plug

2910342

<https://www.phoenixcontact.com/de/produkte/2910342>



## VAL-US-240HLD/40/3+1-FM - Type 1 surge protection device

2910371

<https://www.phoenixcontact.com/de/produkte/2910371>



Surge protective device, four channel with remote indicator contact for 240 V AC high-leg DELTA.

---

## VAL-US-277/40/1+1-FM - Type 1 surge protection device

2910373

<https://www.phoenixcontact.com/de/produkte/2910373>



Surge protective device, two channel with remote indicator contact for 277 V AC, 2-wire plus ground.

# GDT-US-NG/40-P - Type 1 surge protection plug

2910342

<https://www.phoenixcontact.com/de/produkte/2910342>



## VAL-US-277/40/3+1-FM - Type 1 surge protection device

2910374

<https://www.phoenixcontact.com/de/produkte/2910374>



Surge protective device, four channel with remote indicator contact for 277/480 V AC, 4-wire plus ground.

---

Phoenix Contact 2023 © - all rights reserved

<https://www.phoenixcontact.com>

PHOENIX CONTACT Deutschland GmbH

Flachsmarktstraße 8

D-32825 Blomberg

+49 52 35/3-1 20 00

[info@phoenixcontact.de](mailto:info@phoenixcontact.de)