

Single relay - REL-IR4/230AC/4X21/EX

2909742

<https://www.phoenixcontact.com/us/products/2909742>

Please be informed that the data shown in this PDF document is generated from our Online Catalog. Please find the complete data in the user documentation. Our General Terms of Use for Downloads are valid.



Pluggable industrial relay, RT III sealed with power contacts, 4x changeover contacts, mechanical switch position indicator, polarity: non-polarized, input voltage: 230 V AC, in connection with RIF-2.../EX bases approved in accordance with ATEX/IECEX (zone 2) and Ex zone class I, div. 2.

Single relay - REL-IR4/230AC/4X21/EX



2909742

<https://www.phoenixcontact.com/us/products/2909742>

Commercial Data

Item number	2909742
Packing unit	1 pc
Minimum order quantity	1 pc
Sales Key	C05
Product Key	CK6193
Catalog Page	Page 345 (C-5-2019)
GTIN	4055626379920
Weight per Piece (including packing)	32.85 g
Weight per Piece (excluding packing)	32.85 g
Customs tariff number	85364900
Country of origin	PL

Single relay - REL-IR4/230AC/4X21/EX



2909742

<https://www.phoenixcontact.com/us/products/2909742>

Technical Data

Product properties

Product type	Single relay
Operating mode	100% operating factor
Mechanical service life	approx. 2×10^7 cycles

Insulation characteristics

Overvoltage category	II
Pollution degree	2
Insulation	Basic insulation

Electrical properties

Service life electrical	see diagram
Maximum power dissipation for nominal condition	1.5 W
Test voltage	2.5 kV _{rms} (50 Hz, 1 min., winding/contact)
Test voltage Changeover contact/changeover contact	2 kV _{rms} (50 Hz, 1 min., changeover contact/changeover contact)
Rated insulation voltage	250 V AC
Rated surge voltage	2.5 kV

Input data

Coil side

Nominal input voltage U_N	230 V AC
Input voltage range	179.4 V AC ... 317.4 V AC
Input voltage range in reference to U_N	see diagram
Mains frequency	50/60 Hz
Typical input current at U_N	6.5 mA
Typical response time	5 ms ... 15 ms (depending on phase relation)
Typical release time range	5 ms ... 20 ms (depending on phase relation)
Status display	Yellow LED

Output data

Switching

Contact type	4 changeover contacts
Type of switch contact	Single contact
Drive and function	monostable
Drive (polarity)	bipolar
Contact material	AgNi
Maximum switching voltage	250 V AC/DC
Minimum switching voltage	5 V (At 24 mA)
Limiting continuous current	6 A
Maximum inrush current	16 A (20 ms, N/O contacts)
Min. switching current	5 mA (at 24 V)

Single relay - REL-IR4/230AC/4X21/EX



2909742

<https://www.phoenixcontact.com/us/products/2909742>

Interrupting rating (ohmic load) max.	144 W (at 24 V DC)
	124 W (at 48 V DC)
	108 W (at 60 V DC)
	52 W (at 110 V DC)
	48 W (at 220 V DC)
	1500 VA (for 250 V AC)
Switching capacity min.	0.12 W
Switching capacity	2 A (at 24 V, DC13)
	0.22 A (at 120 V, DC13)
	0.11 A (at 250 V, DC13)
	1.5 A (at 24 V, AC15)
	1.5 A (at 120 V, AC15)
	1 A (at 240 V, AC15)
Motor load according to UL 508	1/3 HP, 240 V AC

Connection data

Connection method	Plug-in connection
-------------------	--------------------

Dimensions

Width	21.2 mm
Height	27.5 mm
Depth	35.6 mm

Environmental and real-life conditions

Ambient conditions

Degree of protection	RT III
Ambient temperature (operation)	-40 °C ... 55 °C
Ambient temperature (storage/transport)	-40 °C ... 85 °C

Approval data

Corrosive gas test

Identification	ISA-S71.04. G3 Harsh Group
	EN 60068-2-60

Standards and regulations

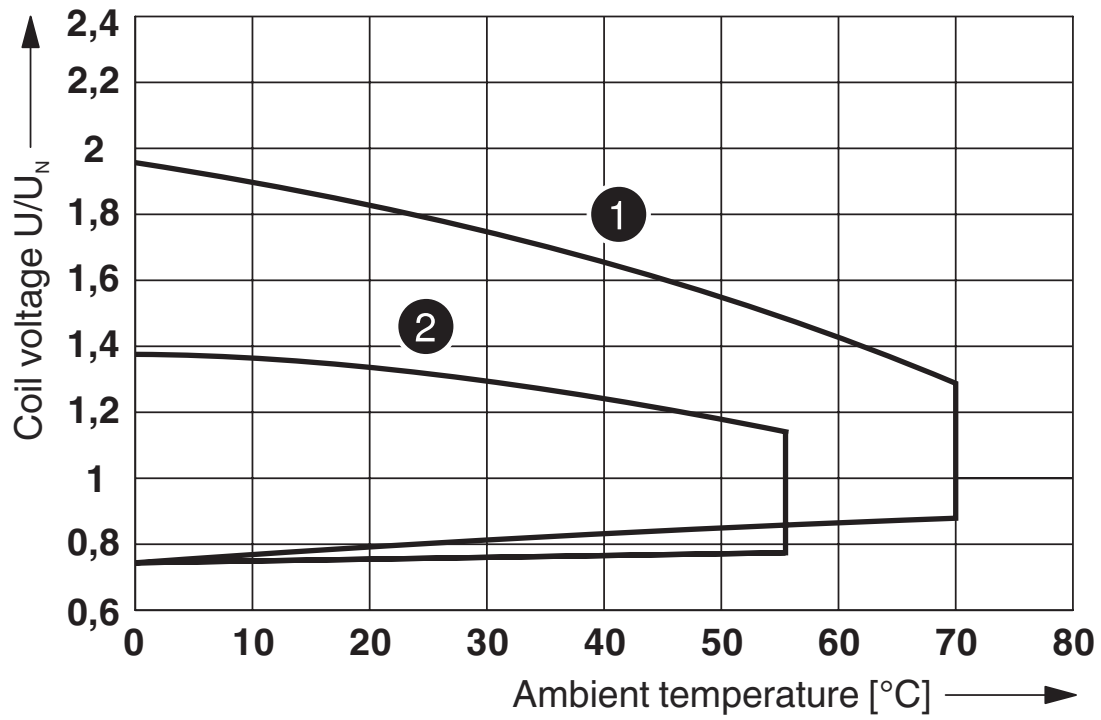
Standards/regulations	IEC 60664
	IEC 61810

Mounting

Mounting position	any
-------------------	-----

Drawings

Diagram



① DC coils

② AC coils

Operating voltage range

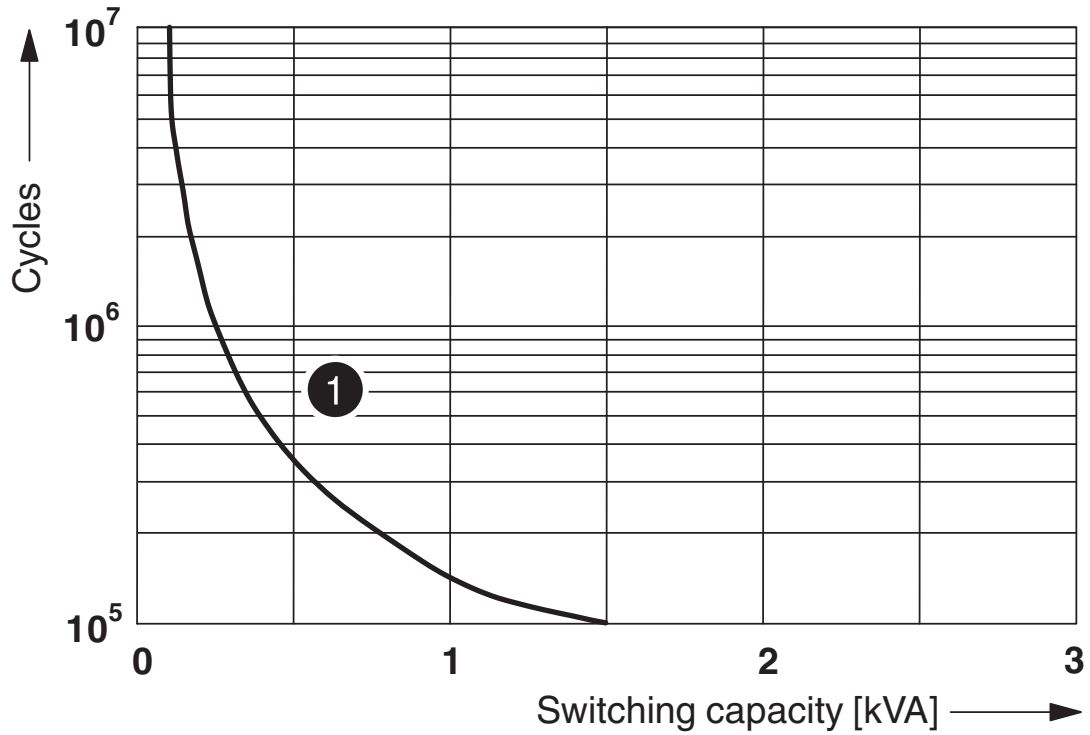
Single relay - REL-IR4/230AC/4X21/EX



2909742

<https://www.phoenixcontact.com/us/products/2909742>

Diagram



① 250 V AC, Ohmic load

Electrical service life

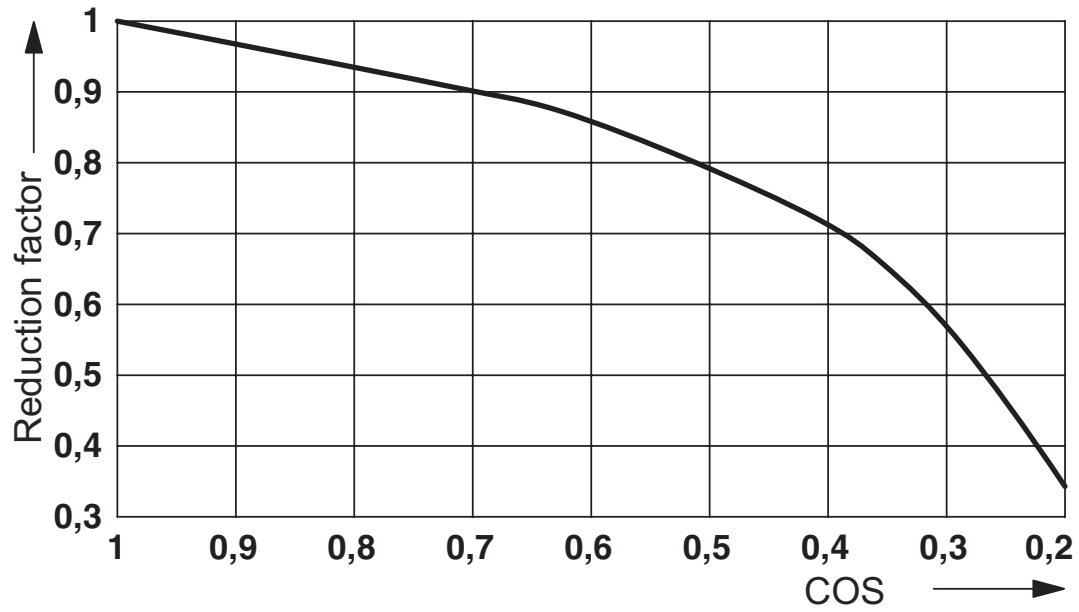
Single relay - REL-IR4/230AC/4X21/EX



2909742

<https://www.phoenixcontact.com/us/products/2909742>

Diagram

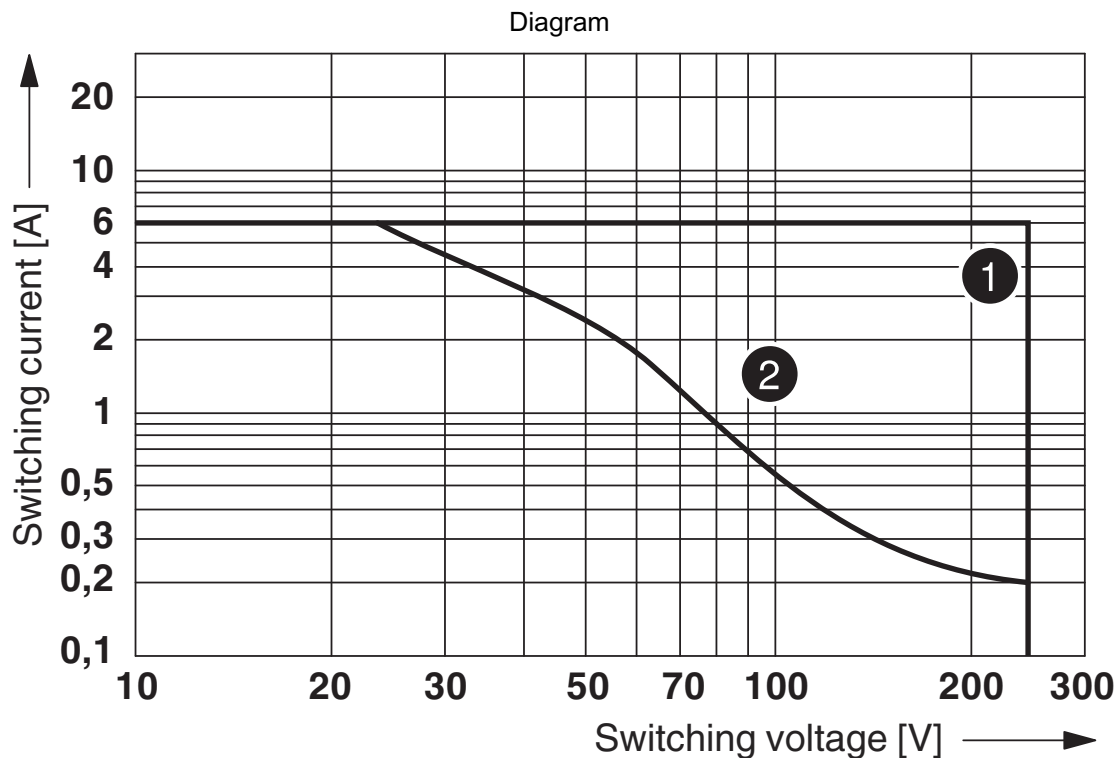


Service life reduction factor

Single relay - REL-IR4/230AC/4X21/EX

2909742

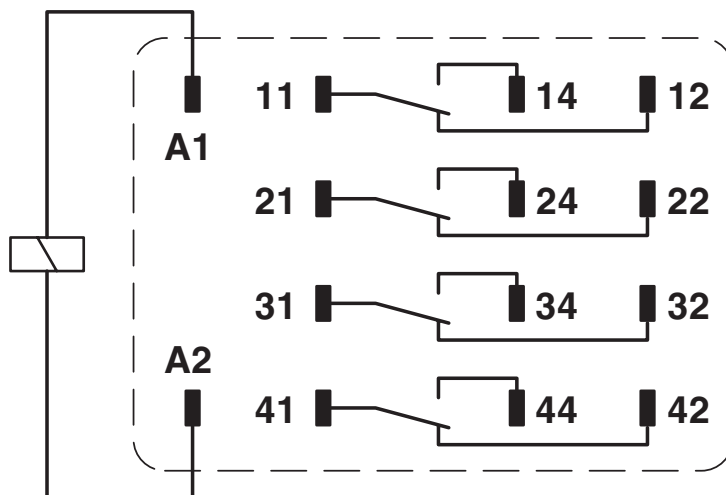
<https://www.phoenixcontact.com/us/products/2909742>



- ① AC, ohmic load
- ② DC, ohmic load

Interrupting rating

Circuit diagram



Single relay - REL-IR4/230AC/4X21/EX



2909742

<https://www.phoenixcontact.com/us/products/2909742>

Approvals



cUL Recognized

Approval ID: FILE E 172140



UL Recognized

Approval ID: FILE E 172140



EAC

Approval ID: TR_TS_D_00573_c



EAC

Approval ID: RU*C-DE.*08.B.00010

cULus Recognized

Single relay - REL-IR4/230AC/4X21/EX



2909742

<https://www.phoenixcontact.com/us/products/2909742>

Classifications

ECLASS

ECLASS-9.0	27371601
ECLASS-10.0.1	27371601
ECLASS-11.0	27371601

ETIM

ETIM 8.0	EC001437
----------	----------

UNSPSC

UNSPSC 21.0	39122300
-------------	----------

Single relay - REL-IR4/230AC/4X21/EX



2909742

<https://www.phoenixcontact.com/us/products/2909742>

Environmental Product Compliance

China RoHS	Environmentally friendly use period: unlimited = EFUP-e
	No hazardous substances above threshold values

Single relay - REL-IR4/230AC/4X21/EX



2909742

<https://www.phoenixcontact.com/us/products/2909742>

Mandatory Accessories

Relay base

Relay base - RIF-2-BPT/4X21/EX - 1047028

<https://www.phoenixcontact.com/us/products/1047028>



RIF-2.../EX relay base for assembling with RTIII-sealed industrial relays with 4 changeover contacts for use in zone 2, Push-in connection, plug-in option for input / interference suppression modules, for mounting on NS 35/7,5

Relay base

Relay base - RIF-2-BSC/4X21/EX - 1047031

<https://www.phoenixcontact.com/us/products/1047031>



RIF-2.../EX relay base for assembling with RTIII-sealed industrial relays with 4 changeover contacts for use in zone 2, screw connection, plug-in option for input / interference suppression modules, for mounting on NS 35/7,5

Phoenix Contact 2022 © - all rights reserved

<https://www.phoenixcontact.com>

Phoenix Contact USA

586 Fulling Mill Road

Middletown, PA 17057, United States

(+717) 944-1300

info@phoenixcon.com