

Extension module - EM-2RPT/21AU-R/L-P - 2909573

Please be informed that the data shown in this PDF Document is generated from our Online Catalog. Please find the complete data in the user's documentation. Our General Terms of Use for Downloads are valid (<http://phoenixcontact.com/download>)




Relay extension module for ELR-...-P hybrid motor starters, feedback of forward and reverse running when control signal is present, Push-in connection, DIN rail connector included



COMPLIANT

Key Commercial Data

Packing unit	1 pc
GTIN	 4 0 5 5 6 2 6 4 4 5 4 8 9
GTIN	4055626445489
Weight per Piece (excluding packing)	175.500 g
Custom tariff number	85364190
Country of origin	Germany
Note	Made to Order (non-returnable)

Technical data

General

Mounting position	Vertical (horizontal DIN rail)
Mounting type	DIN rail mounting
Assembly instructions	In rows with zero spacing
Ambient temperature (operation)	-25 °C ... 70 °C
Ambient temperature (storage/transport)	-40 °C ... 80 °C

Output data

Contact type	1 PDT
Rated operating voltage U_e	24 V DC
	230 V AC
Switching capacity according to IEC 60947-5-1	3 A (230 V, AC15)
	2 A (24 V, DC13)

Connection data, output side

Connection name	Load circuit
-----------------	--------------

Extension module - EM-2RPT/21AU-R/L-P - 2909573

Technical data

Connection data, output side

Connection method	Push-in connection
Stripping length	10 mm
Conductor cross section solid	0.2 mm ² ... 2.5 mm ²
Conductor cross section flexible	0.2 mm ² ... 2.5 mm ²
Conductor cross section AWG	24 ... 14

Dimensions

Width	22.50 mm
Height	106.60 mm
Depth	113.70 mm

Standards and Regulations

Standards/regulations	IEC 60947-5-1
-----------------------	---------------

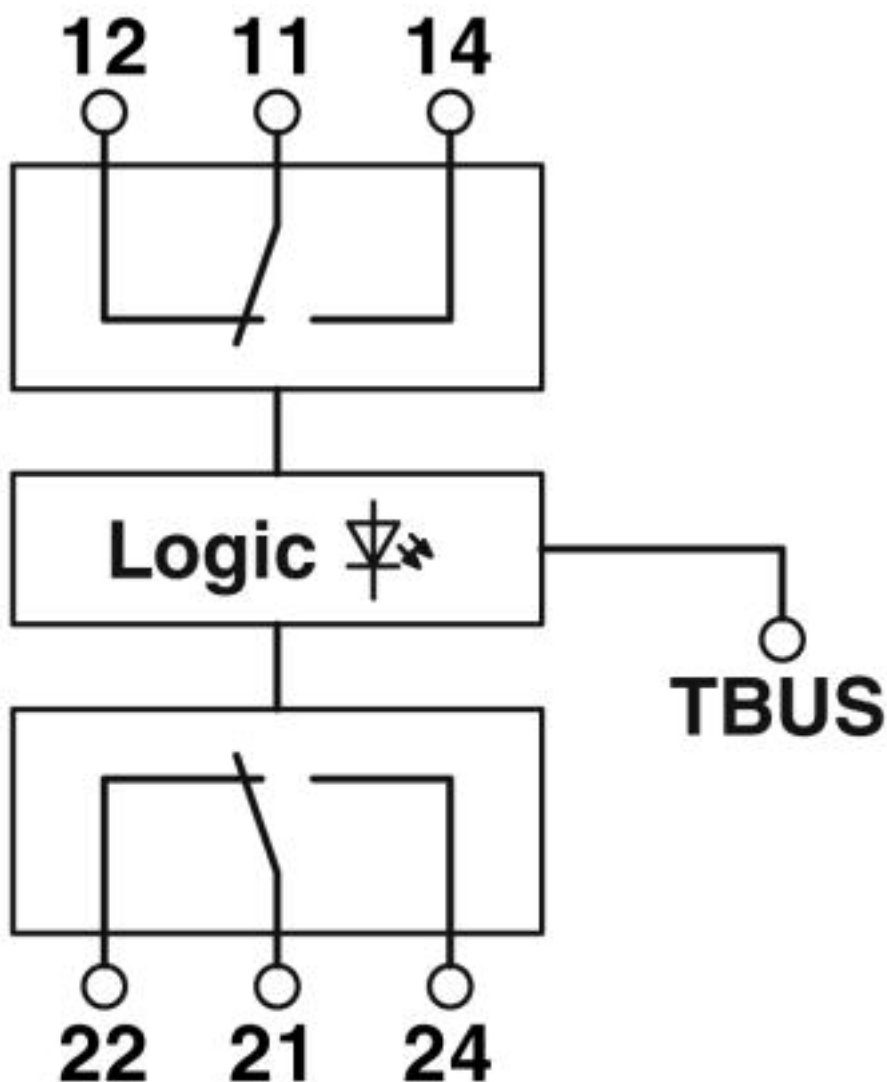
Environmental Product Compliance

REACH SVHC	Lead 7439-92-1
China RoHS	Environmentally Friendly Use Period = 50 years
	For details about hazardous substances go to tab "Downloads", Category "Manufacturer's declaration"

Drawings

Extension module - EM-2RPT/21AU-R/L-P - 2909573

Circuit diagram



Classifications

eCl@ss

eCl@ss 5.0	27371600
eCl@ss 5.1	27371600
eCl@ss 6.0	27371600
eCl@ss 7.0	27371601
eCl@ss 8.0	27371601
eCl@ss 9.0	27371601

ETIM

ETIM 2.0	EC001037
ETIM 3.0	EC001037

Extension module - EM-2RPT/21AU-R/L-P - 2909573

Classifications

ETIM

ETIM 4.0	EC001037
ETIM 5.0	EC001437
ETIM 6.0	EC001437
ETIM 7.0	EC001437

Approvals

Approvals

Approvals

VDE Zeichengenehmigung / EAC / UL Listed / cUL Listed / UL Listed / cUL Listed

Ex Approvals

Approval details

VDE Zeichengenehmigung		http://www2.vde.com/de/Institut/Online-Service/VDE-gepruefteProdukte/Seiten/Online-Suche.aspx	40048671
------------------------	--	---	----------

EAC			RU*DE.*08.B.01536/19
-----	--	--	----------------------

UL Listed		http://database.ul.com/cgi-bin/XYV/template/LISEXT/1FRAME/index.htm	FILE E 228652
-----------	--	---	---------------

cUL Listed		http://database.ul.com/cgi-bin/XYV/template/LISEXT/1FRAME/index.htm	FILE E 228652
------------	--	---	---------------

UL Listed		http://database.ul.com/cgi-bin/XYV/template/LISEXT/1FRAME/index.htm	FILE E 172140
-----------	--	---	---------------

cUL Listed		http://database.ul.com/cgi-bin/XYV/template/LISEXT/1FRAME/index.htm	FILE E 172140
------------	--	---	---------------

Extension module - EM-2RPT/21AU-R/L-P - 2909573

Accessories

Accessories

DIN rail connector

DIN rail bus connectors - ELR-TBUS-22,5-P - 2203861



Special DIN rail connector only suitable for ELR H...-P and EM-...-P.