

Single relay - REL-PR3-110DC/3X21



2908893

<https://www.phoenixcontact.com/us/products/2908893>

Please be informed that the data shown in this PDF document is generated from our Online Catalog. Please find the complete data in the user documentation. Our General Terms of Use for Downloads are valid.

Plug-in high-power relay with power contacts, 3 N/O contacts, coil voltage: 110 V DC



Single relay - REL-PR3-110DC/3X21



2908893

<https://www.phoenixcontact.com/us/products/2908893>

Commercial Data

Item number	2908893
Packing unit	1 pc
Minimum order quantity	1 pc
Sales Key	C05
Product Key	CK6193
Catalog Page	Page 312 (C-5-2019)
GTIN	4055626353913
Weight per Piece (including packing)	87.4 g
Weight per Piece (excluding packing)	87.4 g
Customs tariff number	85364900
Country of origin	PL

Single relay - REL-PR3-110DC/3X21



2908893

<https://www.phoenixcontact.com/us/products/2908893>

Technical Data

Notes

Notes on operation	The outputs are not suitable for switching different outer conductors.
Notes on operation	Do not use to separate SELV / PELV circuits from other circuits, because safe isolation is not guaranteed.

Product properties

Product type	Single relay
Operating mode	100% operating factor
Mechanical service life	approx. 10^7 cycles

Insulation characteristics

Overvoltage category	III
Pollution degree	3
Insulation	Basic insulation

Electrical properties

Service life electrical	see diagram
Test voltage	2.5 kV _{rms} (50 Hz, 1 min., winding/contact)
Test voltage Changeover contact/changeover contact	2.5 kV _{rms} (50 Hz, 1 min., changeover contact/changeover contact)
Rated insulation voltage	250 V AC
Rated surge voltage	4 kV

Input data

Coil side

Nominal input voltage U_N	110 V DC
Input voltage range	93.5 V DC ... 121 V DC (20 °C)
Typical input current at U_N	12 mA
Input power dissipation for U_N	1.32 W
Typical response time	20 ms
Typical release time	15 ms
Coil resistance	9200 Ω \pm 10 %

Output data

Switching

Contact type	3 changeover contacts
Type of switch contact	Single contact
Drive and function	monostable
Drive (polarity)	bipolar
Contact material	AgNi
Maximum switching voltage	440 V AC

Single relay - REL-PR3-110DC/3X21



2908893

<https://www.phoenixcontact.com/us/products/2908893>

	250 V DC
Minimum switching voltage	10 V (At 24 mA)
Limiting continuous current	16 A
Maximum inrush current	50 A (20 ms, N/O contacts)
Min. switching current	10 mA (at 24 V)
Interrupting rating (ohmic load) max.	384 W (at 24 V DC)
	124 W (at 48 V DC)
	108 W (at 60 V DC)
	52 W (at 110 V DC)
	70 W (at 220 V DC)
	4000 VA (for 250 V AC)
	4000 VA (at 440 V AC)
3-phase motor load	1500 W (at 400 V, AC3)
Motor load according to UL 508	1/3 HP, 120 V AC (single-phase AC motor)
	1/2 HP, 240 V AC (single-phase AC motor)
	1/2 HP, 240 V AC (three-phase induction motor)

Connection data

Connection method	Plug-in connection
-------------------	--------------------

Dimensions

Width	38.6 mm
Height	36.1 mm
Depth	45.5 mm

Environmental and real-life conditions

Ambient conditions

Degree of protection	RT I
	≥ IP54 (Installation location)
Ambient temperature (operation)	-40 °C ... 70 °C
Ambient temperature (storage/transport)	-40 °C ... 85 °C
Altitude	≤ 2000 m

Approval data

Corrosive gas test

Identification	ISA-S71.04. G3 Harsh Group
	EN 60068-2-60

Standards and regulations

Standards/regulations	IEC 60664
	IEC 61810

Mounting

Mounting position	any
-------------------	-----

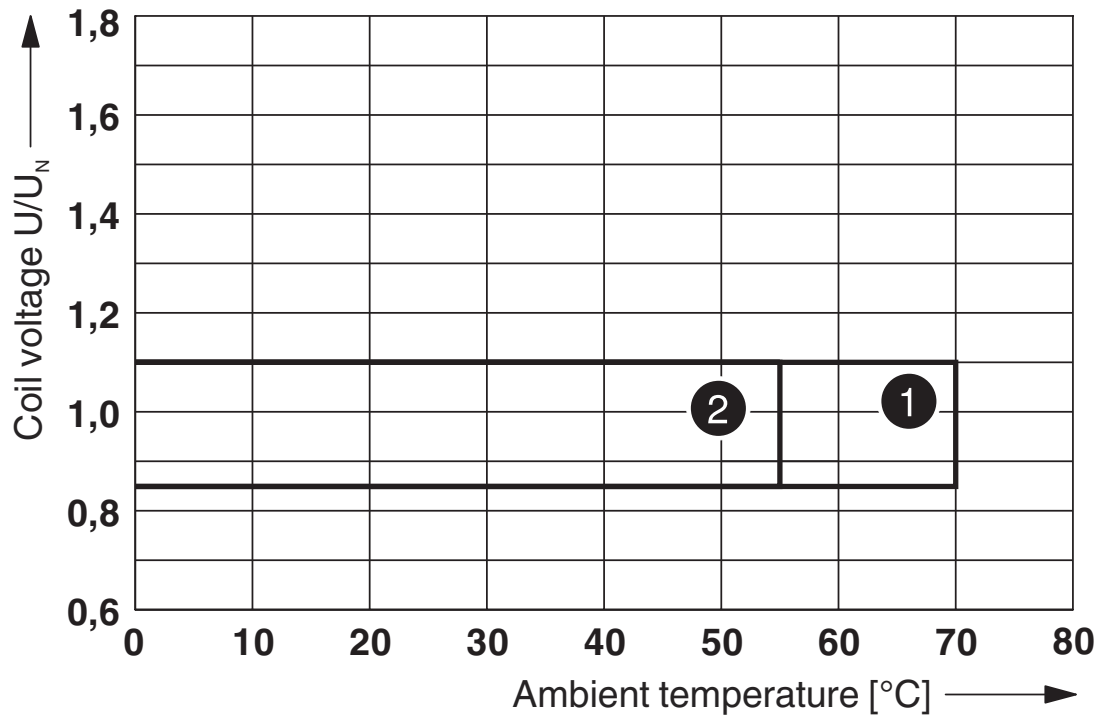
Single relay - REL-PR3-110DC/3X21

2908893

<https://www.phoenixcontact.com/us/products/2908893>

Drawings

Diagram



- ① DC coils
- ② AC coils

Operating voltage range

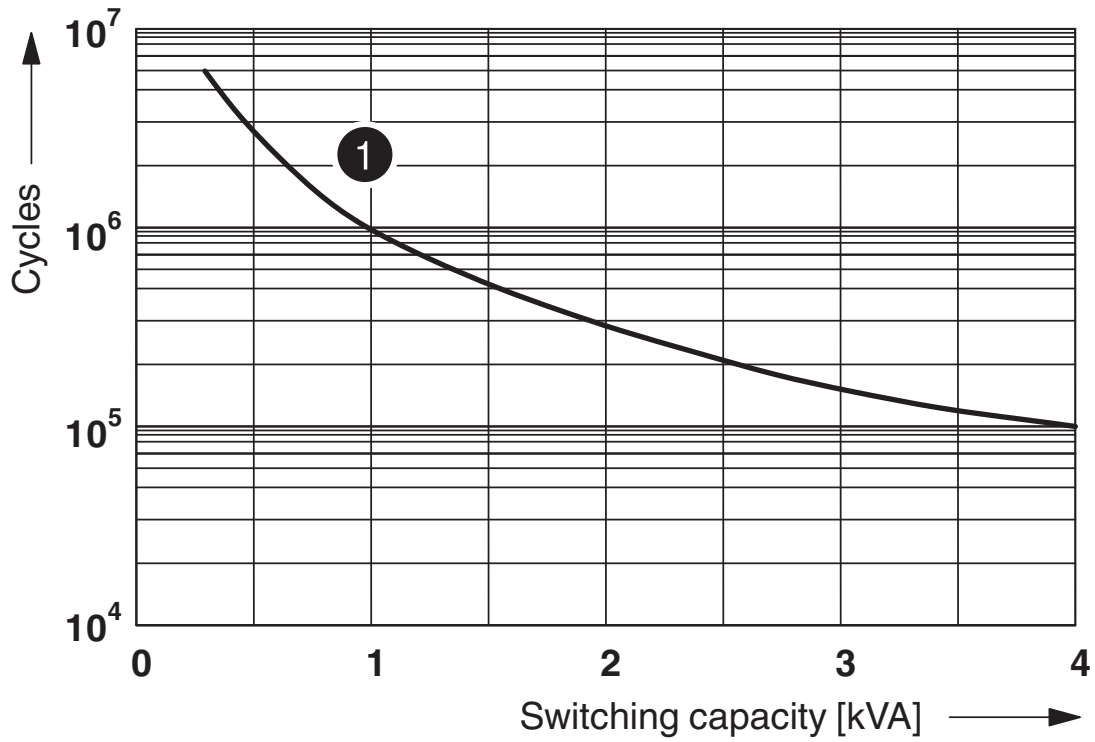
Single relay - REL-PR3-110DC/3X21



2908893

<https://www.phoenixcontact.com/us/products/2908893>

Diagram



① 250 V AC, Ohmic load

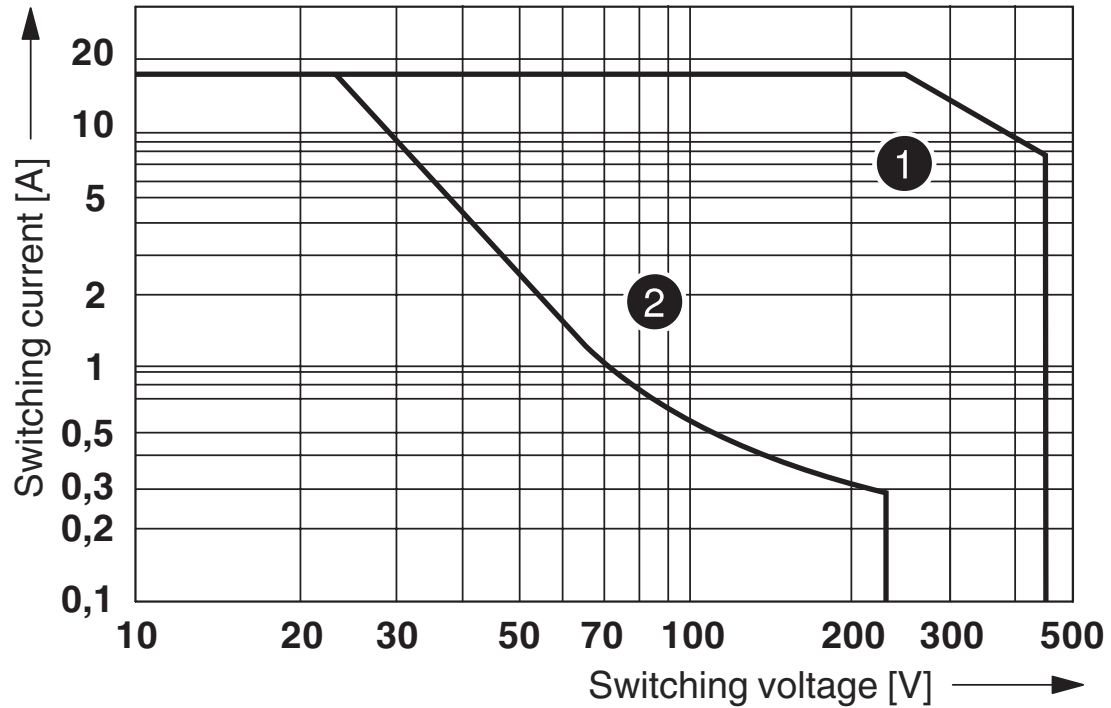
Electrical service life

Single relay - REL-PR3-110DC/3X21

2908893

<https://www.phoenixcontact.com/us/products/2908893>

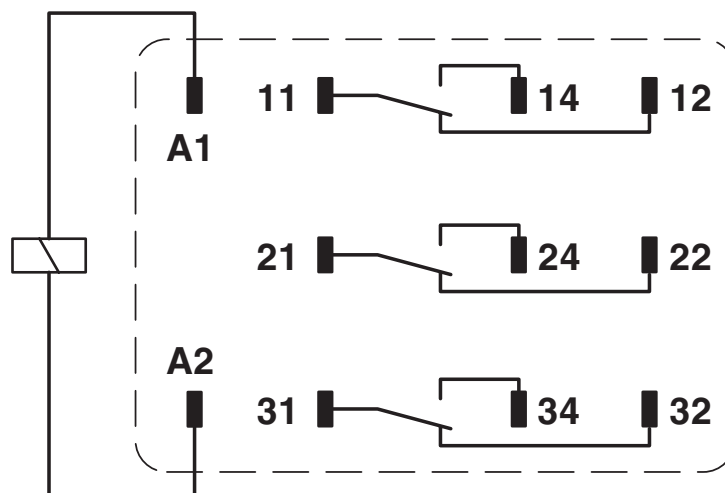
Diagram



- ① AC, ohmic load
- ② DC, ohmic load

Interrupting rating

Circuit diagram



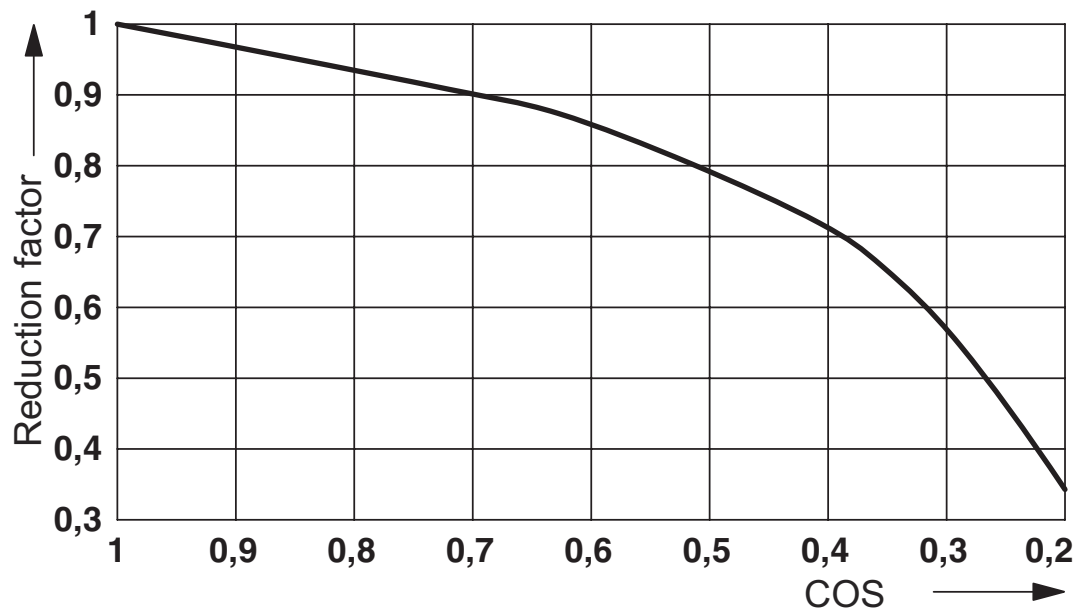
Single relay - REL-PR3-110DC/3X21



2908893

<https://www.phoenixcontact.com/us/products/2908893>

Diagram



Service life reduction factor

Single relay - REL-PR3-110DC/3X21



2908893

<https://www.phoenixcontact.com/us/products/2908893>

Approvals



CSA

Approval ID: 2554095



cUL Recognized

Approval ID: FILE E 172140



UL Recognized

Approval ID: FILE E 172140



EAC

Approval ID: TR_TS_D_00573_c



EAC

Approval ID: RU*C-DE.*08.B.00010

cULus Recognized

Single relay - REL-PR3-110DC/3X21



2908893

<https://www.phoenixcontact.com/us/products/2908893>

Classifications

ECLASS

ECLASS-9.0	27371601
ECLASS-10.0.1	27371601
ECLASS-11.0	27371601

ETIM

ETIM 8.0	EC001437
----------	----------

UNSPSC

UNSPSC 21.0	39122300
-------------	----------

Single relay - REL-PR3-110DC/3X21



2908893

<https://www.phoenixcontact.com/us/products/2908893>

Environmental Product Compliance

China RoHS	Environmentally friendly use period: unlimited = EFUP-e
	No hazardous substances above threshold values

Single relay - REL-PR3-110DC/3X21



2908893

<https://www.phoenixcontact.com/us/products/2908893>

Accessories

Relay base

Relay base - RIF-4-BPT/3X21 - 2900961

<https://www.phoenixcontact.com/us/products/2900961>



Relay base RIF-4..., for high-power relay with 2 or 3 changeover contacts or 3 N/O contacts, Push-in connection, plug-in option for input/interference suppression modules, for mounting on NS 35/7,5

Relay base

Relay base - RIF-4-BSC/3X21 - 2900960

<https://www.phoenixcontact.com/us/products/2900960>



RIF-4... relay base, for high-power relay with 2 or 3 changeover contacts or 3 N/O contacts, screw connection, plug-in option for input/interference suppression modules, for mounting on NS 35/7,5

Phoenix Contact 2022 © - all rights reserved

<https://www.phoenixcontact.com>

Phoenix Contact USA

586 Fulling Mill Road

Middletown, PA 17057, United States

(+717) 944-1300

info@phoenixcon.com