

Relay Module - RIF-1-RPT-LDP-24DC/2X21/FG



2908215

<https://www.phoenixcontact.com/us/products/2908215>

Please be informed that the data shown in this PDF document is generated from our Online Catalog. Please find the complete data in the user documentation. Our General Terms of Use for Downloads are valid.



Pre-assembled relay module with Push-in connection, consisting of: relay base, safety relay with force-guided contacts in accordance with DIN EN 61810-3, plug-in display/interference suppression module, and retaining bracket, contact type: 2 changeover contacts, input voltage: 24 V DC

Relay Module - RIF-1-RPT-LDP-24DC/2X21/FG



2908215

<https://www.phoenixcontact.com/us/products/2908215>

Commercial Data

| | |
|--------------------------------------|---------------------|
| Item number | 2908215 |
| Packing unit | 1 pc |
| Minimum order quantity | 1 pc |
| Sales Key | C05 |
| Product Key | CK6529 |
| Catalog Page | Page 338 (C-5-2019) |
| GTIN | 4055626289151 |
| Weight per Piece (including packing) | 73.58 g |
| Weight per Piece (excluding packing) | 71.52 g |
| Customs tariff number | 85364110 |
| Country of origin | CZ |

Technical Data

Notes

Utilization restriction

| | |
|----------|---|
| EMC note | EMC: class A product, see manufacturer's declaration in the download area |
|----------|---|

Product properties

| | |
|--|---|
| Product type | Relay Module |
| Set consists of | 2908777 REL-SR- 24DC/2X21/FG |
| | 2900939 RIF-LDP-12-24 DC |
| | 2905985 RIF-RHM-1-H |
| Application | Forcibly guided contacts |
| Operating mode | 100% operating factor |
| Mechanical service life | approx. 10^7 cycles |
| B _{10d} | 600000 Cycles (AC1; 250 V / 6 A; 1 NO) |
| | 900000 Cycles (AC1; 250 V / 3 A; 1 NO) |
| | 1800000 Cycles (AC1; 250 V / 1,5 A; 1 NO) |
| | 180000 Cycles (AC15; 250 V / 3 A; 1 NO) |
| | 560000 Cycles (AC15; 250 V / 2 A; 1 NO) |
| | 4600000 Cycles (AC15; 250 V / 0,75 A; 1 NO) |
| | 360000 Cycles (DC13; 24 V / 3 A; 1 NO) |
| | 740000 Cycles (DC13; 24 V / 1,5 A; 1 NO) |
| 4200000 Cycles (DC13; 24 V / 0,75 A; 1 NO) | |

Insulation characteristics

| | |
|----------------------|--|
| Overvoltage category | III |
| Pollution degree | 2 |
| Insulation | Safe isolation between input and output |
| | Basic insulation between the changeover contacts |

Electrical properties

| | |
|---|--|
| Maximum power dissipation for nominal condition | 0.72 W |
| Rated insulation voltage | 250 V |
| Rated surge voltage | 6 kV (Input/output) |
| | 4 kV (between the changeover contacts) |

Input data

Coil side

| | |
|--|---------------------------------|
| Nominal input voltage U _N | 24 V DC |
| Input voltage range | 20.4 V DC ... 28.8 V DC (20 °C) |
| Input voltage range in reference to U _N | see diagram |
| Typical input current at U _N | 30 mA |

Relay Module - RIF-1-RPT-LDP-24DC/2X21/FG



2908215

<https://www.phoenixcontact.com/us/products/2908215>

| | |
|---------------------------|---------------|
| Typical response time | 10 ms |
| Typical release time | 10 ms |
| Coil voltage | 24 V DC |
| Protective circuit | Damping diode |
| Operating voltage display | Yellow LED |

Output data

Switching

| | |
|---------------------------------------|---|
| Contact type | 2 changeover contacts, forcibly actuated |
| Type of switch contact | Single contact |
| Drive and function | monostable |
| Contact material | AgNi |
| Maximum switching voltage | 250 V AC/DC |
| Minimum switching voltage | 15 V AC/DC |
| Limiting continuous current | 6 A |
| Maximum inrush current | 6 A |
| Min. switching current | 10 mA |
| Interrupting rating (ohmic load) max. | 144 W (at 24 V DC) 288 W (at 48 V DC) 88 W (at 110 V DC) 110 W (at 220 V DC) 1500 VA (for 250 V AC) |
| Switching capacity | 2 A (at 24 V, DC13) 3 A (at 230 V, AC15) |

Connection data

| | |
|----------------------------------|---|
| Connection method | Push-in connection |
| Stripping length | 8 mm |
| Conductor cross section solid | 0.14 mm ² ... 1.5 mm ² |
| Conductor cross section flexible | 0.14 mm ² ... 1.5 mm ² 0.14 mm ² ... 1.5 mm ² (Ferrule with plastic sleeve) 0.14 mm ² ... 1 mm ² (Ferrule with plastic sleeve, two conductors on double terminal block) |
| Conductor cross section AWG | 26 ... 16 (solid) 26 ... 16 (flexible) |

Dimensions

| | |
|---------------|--------|
| Width | 16 mm |
| Height | 96 mm |
| Depth | 70 mm |
| Hole diameter | 3.2 mm |

Material specifications

| | |
|--|--------------|
| Flammability rating according to UL 94 | V2 (Housing) |
|--|--------------|

Relay Module - RIF-1-RPT-LDP-24DC/2X21/FG



2908215

<https://www.phoenixcontact.com/us/products/2908215>

Environmental and real-life conditions

Ambient conditions

| | |
|---|-------------------|
| Degree of protection | IP20 (Relay base) |
| | RT I (Relay) |
| Ambient temperature (operation) | -25 °C ... 50 °C |
| Ambient temperature (storage/transport) | -25 °C ... 70 °C |

Approval data

CE

| | |
|-------------|--------------|
| Certificate | CE-compliant |
|-------------|--------------|

UL, USA / Canada

| | |
|----------------|---------------------|
| Identification | cULus Listed UL 508 |
| Certificate | NRNT.E172140 |

Corrosive gas test

| | |
|----------------|----------------------------|
| Identification | ISA-S71.04. G3 Harsh Group |
| | EN 60068-2-60 |

Standards and regulations

Air clearances and creepage distances between the power circuits

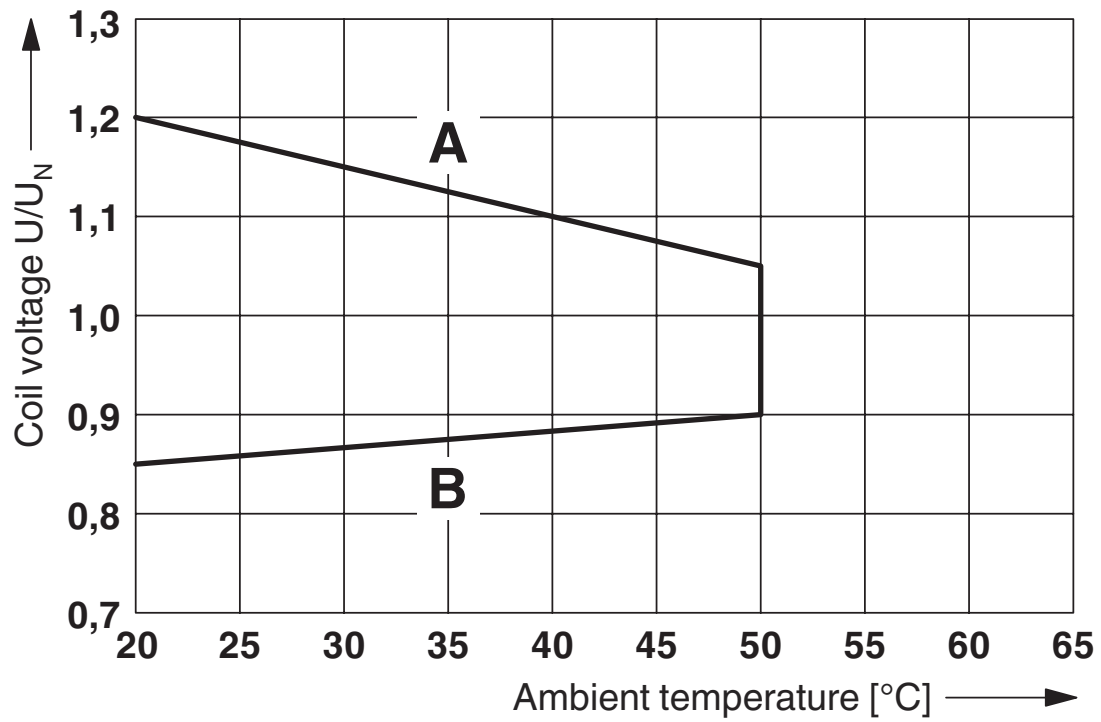
| | |
|-----------------------|-----------------------|
| Standards/regulations | DIN EN 50178/VDE 0160 |
| | DIN EN 61810-3 |

Mounting

| | |
|-----------------------|---------------------------|
| Mounting type | DIN rail mounting |
| Assembly instructions | in rows with zero spacing |
| Mounting position | any |

Drawings

Diagram

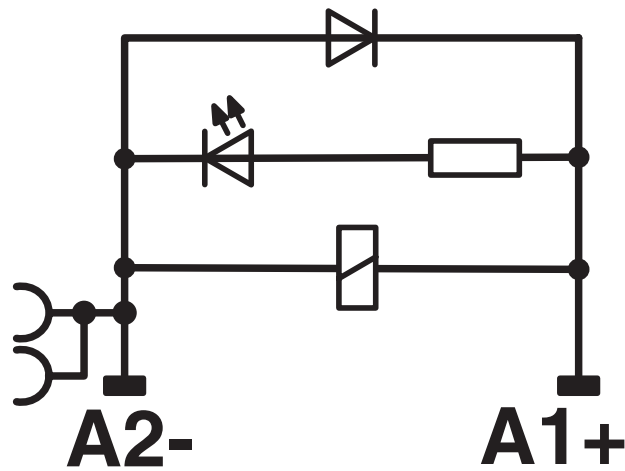
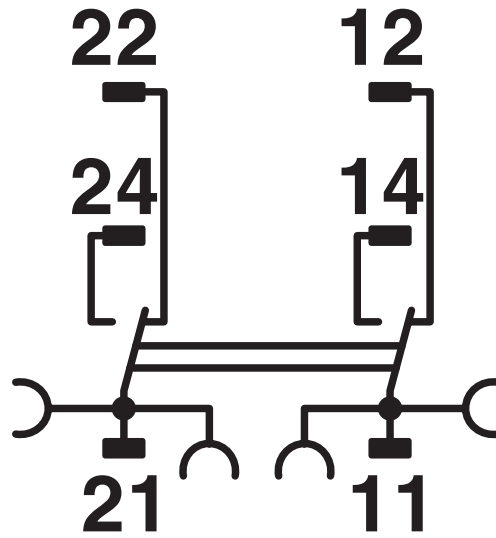


Operating voltage range

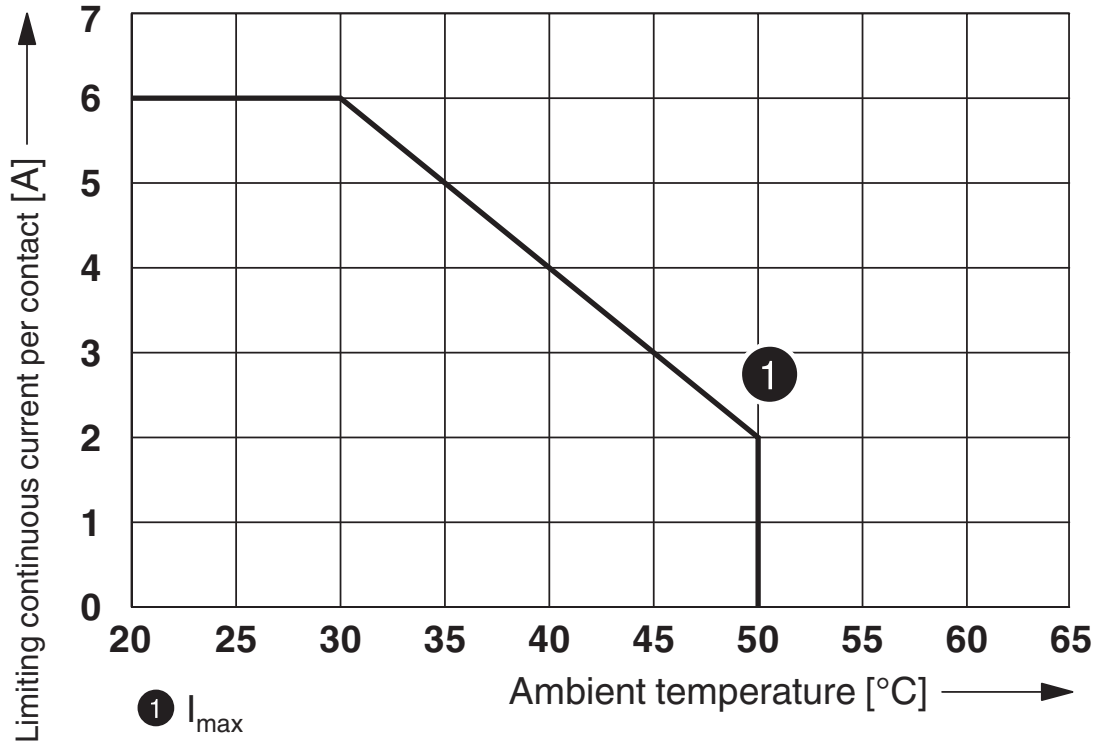
2908215

<https://www.phoenixcontact.com/us/products/2908215>

Circuit diagram



Diagram



Contact derating

Relay Module - RIF-1-RPT-LDP-24DC/2X21/FG



2908215

<https://www.phoenixcontact.com/us/products/2908215>

Approvals



EAC

Approval ID: TR_TS_D_00573_c



DNV GL

Approval ID: TAA000018V



EAC

Approval ID: RU*C-DE.*08.B.00010



UL Listed

Approval ID: FILE E 172140



cUL Listed

Approval ID: FILE E 172140

cULus Listed

Relay Module - RIF-1-RPT-LDP-24DC/2X21/FG



2908215

<https://www.phoenixcontact.com/us/products/2908215>

Classifications

ECLASS

| | |
|---------------|----------|
| ECLASS-9.0 | 27371601 |
| ECLASS-10.0.1 | 27371601 |
| ECLASS-11.0 | 27371601 |

ETIM

| | |
|----------|----------|
| ETIM 8.0 | EC001437 |
|----------|----------|

UNSPSC

| | |
|-------------|----------|
| UNSPSC 21.0 | 39122300 |
|-------------|----------|

Relay Module - RIF-1-RPT-LDP-24DC/2X21/FG



2908215

<https://www.phoenixcontact.com/us/products/2908215>

Environmental Product Compliance

| | |
|------------|--|
| China RoHS | Environmentally Friendly Use Period = 50 years For information on hazardous substances, refer to the manufacturer's declaration available under "Downloads" |
|------------|--|

2908215

<https://www.phoenixcontact.com/us/products/2908215>

Accessories

Zack marker strip

Zack marker strip - ZB 5 :UNBEDRUCKT - 1050004

<https://www.phoenixcontact.com/us/products/1050004>



Zack marker strip, Strip, white, unlabeled, can be labeled with: PLOTMARK, CMS-P1-PLOTTER, mounting type: snap in, for terminal block width: 5.2 mm, lettering field size: 5.1 x 10.5 mm, Number of individual labels: 10

Zack marker strip

Zack marker strip - ZB 5 CUS - 0824962

<https://www.phoenixcontact.com/us/products/0824962>



Zack marker strip, can be ordered: Strip, white, labeled according to customer specifications, mounting type: snap into tall marker groove, for terminal block width: 5.2 mm, lettering field size: 5.15 x 10.5 mm, Number of individual labels: 10

Relay Module - RIF-1-RPT-LDP-24DC/2X21/FG



2908215

<https://www.phoenixcontact.com/us/products/2908215>

Zack marker strip

Zack marker strip - ZB 5,LGS:FORTL.ZAHLEN - 1050017

<https://www.phoenixcontact.com/us/products/1050017>



Zack marker strip, Strip, white, labeled, printed horizontally: consecutive numbers 1 ... 10, 11 ... 20, etc. up to 491 ... 500, mounting type: snap into tall marker groove, for terminal block width: 5.2 mm, lettering field size: 5.15 x 10.5 mm, Number of individual labels: 10

Zack marker strip

Zack marker strip - ZB 5,QR:FORTL.ZAHLEN - 1050020

<https://www.phoenixcontact.com/us/products/1050020>



Zack marker strip, white, Printed vertically: consecutive numbers 1 ... 10, 11 ... 20, etc. up to 491 ... 500, mounting type: snap into tall marker groove, for terminal block width: 5.2 mm, lettering field size: 5.15 x 10.5 mm

Relay Module - RIF-1-RPT-LDP-24DC/2X21/FG



2908215

<https://www.phoenixcontact.com/us/products/2908215>

Zack marker strip

Zack marker strip - ZB 5,LGS:GLEICHE ZAHLEN - 1050033

<https://www.phoenixcontact.com/us/products/1050033>



Zack marker strip, Strip, white, labeled, can be labeled with: CMS-P1-PLOTTER, printed horizontally: Identical numbers 1 or 2, etc. up to 100, mounting type: snap into tall marker groove, for terminal block width: 5.2 mm, lettering field size: 5.15 x 10.5 mm, Number of individual labels: 10

Zack marker strip

Zack marker strip - ZB 5,LGS:L1-N,PE - 1050415

<https://www.phoenixcontact.com/us/products/1050415>



Zack marker strip, Strip, white, labeled, horizontal: L1, L2, L3, N, PE, L1, L2, L3, N, PE, mounting type: snap into tall marker groove, for terminal block width: 5.2 mm, lettering field size: 5.15 x 10.5 mm, Number of individual labels: 10

2908215

<https://www.phoenixcontact.com/us/products/2908215>

Zack marker strip

Zack marker strip - ZB 15:UNBEDRUCKT - 0811972

<https://www.phoenixcontact.com/us/products/0811972>



Zack marker strip, Strip, white, unlabeled, can be labeled with: PLOTMARK, CMS-P1-PLOTTER, mounting type: snap in, for terminal block width: 15.2 mm, lettering field size: 10.5 x 15.1 mm, Number of individual labels: 5

Zack marker strip

Zack marker strip - ZB 15 CUS - 0824945

<https://www.phoenixcontact.com/us/products/0824945>



Zack marker strip, can be ordered: Strip, white, labeled according to customer specifications, mounting type: snap into tall marker groove, for terminal block width: 15.2 mm, lettering field size: 10.5 x 15.1 mm, Number of individual labels: 5

Relay Module - RIF-1-RPT-LDP-24DC/2X21/FG



2908215

<https://www.phoenixcontact.com/us/products/2908215>

Zack marker strip

Zack marker strip - ZB 15,LGS:L1-N,PE - 0811998

<https://www.phoenixcontact.com/us/products/0811998>



Zack marker strip, Strip, white, labeled, printed horizontally: L1, L2, L3, N, PE, mounting type: snap into tall marker groove, for terminal block width: 15.2 mm, lettering field size: 10.5 x 15.1 mm, Number of individual labels: 5

System connection

System connection - RIF-1-V8/PT/FLK14/OUT - 2905195

<https://www.phoenixcontact.com/us/products/2905195>



V8 adapter for 8 x RIF-1 relay base, controller: PLC system cabling of output cards, connection 1: Push-in connection 4x, connection 2: IDC/FLK pin strip 1x 14-position, connection 3: Plug-in connection, number of channels: 8, control logic: plusschaltend

Relay Module - RIF-1-RPT-LDP-24DC/2X21/FG



2908215

<https://www.phoenixcontact.com/us/products/2908215>

DIN rail perforated

DIN rail perforated - NS 35/ 7,5 PERF 2000MM - 0801733

<https://www.phoenixcontact.com/us/products/0801733>



DIN rail perforated, acc. to EN 60715, material: Steel, galvanized, passivated with a thick layer, Standard profile, color: silver, Pack of 25 (50 m)

DIN rail perforated

DIN rail perforated - NS 35/ 7,5 WH PERF 2000MM - 1204119

<https://www.phoenixcontact.com/us/products/1204119>



DIN rail perforated, acc. to EN 60715, material: Steel, Galvanized, white passivated, Standard profile, color: silver, Pack of 25 (50 m)

Relay Module - RIF-1-RPT-LDP-24DC/2X21/FG



2908215

<https://www.phoenixcontact.com/us/products/2908215>

DIN rail perforated

DIN rail perforated - NS 35/ 7,5 ZN PERF 2000MM - 1206421

<https://www.phoenixcontact.com/us/products/1206421>



DIN rail perforated, acc. to EN 60715, material: Steel, galvanized, Standard profile, color: silver, Pack of 25 (50 m)

DIN rail perforated

DIN rail perforated - NS 35/15 PERF 2000MM - 1201730

<https://www.phoenixcontact.com/us/products/1201730>



DIN rail perforated, similar to EN 60715, material: Steel, galvanized, passivated with a thick layer, Standard profile, color: silver, Pack of 25 (50 m)

Relay Module - RIF-1-RPT-LDP-24DC/2X21/FG



2908215

<https://www.phoenixcontact.com/us/products/2908215>

DIN rail perforated

DIN rail perforated - NS 35/15 WH PERF 2000MM - 0806602

<https://www.phoenixcontact.com/us/products/0806602>



DIN rail perforated, similar to EN 60715, material: Steel, Galvanized, white passivated, Standard profile, color: white, Pack of 25 (50 m)

DIN rail perforated

DIN rail perforated - NS 35/15 ZN PERF 2000MM - 1206599

<https://www.phoenixcontact.com/us/products/1206599>



DIN rail perforated, similar to EN 60715, material: Steel, galvanized, Standard profile, color: silver, Pack of 25 (50 m)

Relay Module - RIF-1-RPT-LDP-24DC/2X21/FG



2908215

<https://www.phoenixcontact.com/us/products/2908215>

Relay retaining bracket

Relay retaining bracket - RIF-RHM-1-H - 2905985

<https://www.phoenixcontact.com/us/products/2905985>



Relay retaining bracket, wire model, suitable for RIF-1 relay base, for 25 mm high octal miniature power relays

Marker carriers

Marker carriers - STP 5-2 - 0800967

<https://www.phoenixcontact.com/us/products/0800967>



Double marker carrier, snaps onto the double-level spring-cage terminal block STTB 2,5, STTB 4, PTTB 2,5, PTTB 4 can be marked with UC-TM 5, ZB 5 or UC-TMF 5, ZBF 5

Relay Module - RIF-1-RPT-LDP-24DC/2X21/FG



2908215

<https://www.phoenixcontact.com/us/products/2908215>

Plug-in module

Plug-in module - RIF-LDP-12-24 DC - 2900939

<https://www.phoenixcontact.com/us/products/2900939>



Plug-in module, for mounting on RIF-1, RIF-2, RIF-3, and RIF-4, with freewheeling diode and yellow LED, polarity: A1+, A2-, input voltage: 12 V DC ... 24 V DC $\pm 30\%$

Safety relays

Safety relays - REL-SR- 24DC/2X21/FG - 2908777

<https://www.phoenixcontact.com/us/products/2908777>



Safety relay with force-guided contacts in accordance with DIN EN 61810-3, contact type: 2 changeover contacts. The requirements for type A in accordance with DIN EN 61810-3 are satisfied if the circuit is designed as 1 N/O contact / 1 N/C contact.

Relay Module - RIF-1-RPT-LDP-24DC/2X21/FG



2908215

<https://www.phoenixcontact.com/us/products/2908215>

End clamp

End clamp - CLIPFIX 35 - 3022218

<https://www.phoenixcontact.com/us/products/3022218>



Quick mounting end clamp for NS 35/7,5 DIN rail or NS 35/15 DIN rail, with marking option, width: 9.5 mm, color: gray

End clamp

End clamp - CLIPFIX 35-5 - 3022276

<https://www.phoenixcontact.com/us/products/3022276>



Quick mounting end clamp for NS 35/7,5 DIN rail or NS 35/15 DIN rail, with marking option, with parking option for FBS...5, FBS...6, KSS 5, KSS 6, width: 5.15 mm, color: gray

Relay Module - RIF-1-RPT-LDP-24DC/2X21/FG



2908215

<https://www.phoenixcontact.com/us/products/2908215>

End clamp

End clamp - E/NS 35 N - 0800886

<https://www.phoenixcontact.com/us/products/0800886>

End clamp, width: 9.5 mm, color: gray



Insulating sleeve

Insulating sleeve - MPS-IH WH - 0201663

<https://www.phoenixcontact.com/us/products/0201663>

Insulating sleeve, color: white



Relay Module - RIF-1-RPT-LDP-24DC/2X21/FG



2908215

<https://www.phoenixcontact.com/us/products/2908215>

Insulating sleeve

Insulating sleeve - MPS-IH RD - 0201676

<https://www.phoenixcontact.com/us/products/0201676>

Insulating sleeve, color: red



Insulating sleeve

Insulating sleeve - MPS-IH BU - 0201689

<https://www.phoenixcontact.com/us/products/0201689>

Insulating sleeve, color: blue



2908215

<https://www.phoenixcontact.com/us/products/2908215>

Insulating sleeve

Insulating sleeve - MPS-IH YE - 0201692

<https://www.phoenixcontact.com/us/products/0201692>

Insulating sleeve, color: yellow



Insulating sleeve

Insulating sleeve - MPS-IH GN - 0201702

<https://www.phoenixcontact.com/us/products/0201702>

Insulating sleeve, color: green



Relay Module - RIF-1-RPT-LDP-24DC/2X21/FG



2908215

<https://www.phoenixcontact.com/us/products/2908215>

Insulating sleeve

Insulating sleeve - MPS-IH GY - 0201728

<https://www.phoenixcontact.com/us/products/0201728>

Insulating sleeve, color: gray



Insulating sleeve

Insulating sleeve - MPS-IH BK - 0201731

<https://www.phoenixcontact.com/us/products/0201731>

Insulating sleeve, color: black



Relay Module - RIF-1-RPT-LDP-24DC/2X21/FG



2908215

<https://www.phoenixcontact.com/us/products/2908215>

End cap

End cap - NS 35/ 7,5 CAP - 1206560

<https://www.phoenixcontact.com/us/products/1206560>

DIN rail end piece, for DIN rail NS 35/7.5



End cap

End cap - NS 35/15 CAP - 1206573

<https://www.phoenixcontact.com/us/products/1206573>

DIN rail end piece, for DIN rail NS 35/15



Relay Module - RIF-1-RPT-LDP-24DC/2X21/FG



2908215

<https://www.phoenixcontact.com/us/products/2908215>

DIN rail, unperforated

DIN rail, unperforated - NS 35/ 7,5 UNPERF 2000MM - 0801681

<https://www.phoenixcontact.com/us/products/0801681>



DIN rail, unperforated, acc. to EN 60715, material: Steel, galvanized, passivated with a thick layer, Standard profile, color: silver, Pack of 25 (50 m)

DIN rail, unperforated

DIN rail, unperforated - NS 35/ 7,5 WH UNPERF 2000MM-VPE 10 - 1204122

<https://www.phoenixcontact.com/us/products/1204122>



DIN rail, unperforated, acc. to EN 60715, material: Steel, Galvanized, white passivated, Standard profile, color: silver, Pack of 10 (20 m)

Relay Module - RIF-1-RPT-LDP-24DC/2X21/FG



2908215

<https://www.phoenixcontact.com/us/products/2908215>

DIN rail, unperforated

DIN rail, unperforated - NS 35/ 7,5 AL UNPERF 2000MM - 0801704

<https://www.phoenixcontact.com/us/products/0801704>



DIN rail, unperforated, acc. to EN 60715, material: Aluminum, uncoated, Standard profile, color: silver, Pack of 25 (50 m)

DIN rail, unperforated

DIN rail, unperforated - NS 35/ 7,5 ZN UNPERF 2000MM - 1206434

<https://www.phoenixcontact.com/us/products/1206434>



DIN rail, unperforated, acc. to EN 60715, material: Steel, galvanized, Standard profile, color: silver, Pack of 25 (50 m)

Relay Module - RIF-1-RPT-LDP-24DC/2X21/FG



2908215

<https://www.phoenixcontact.com/us/products/2908215>

DIN rail, unperforated

DIN rail, unperforated - NS 35/ 7,5 CU UNPERF 2000MM-VPE 10 - 0801762

<https://www.phoenixcontact.com/us/products/0801762>



DIN rail, unperforated, acc. to EN 60715, material: Copper, uncoated, Standard profile, color: copper-colored, Pack of 10 (20 m)

DIN rail, unperforated

DIN rail, unperforated - NS 35/15 UNPERF 2000MM - 1201714

<https://www.phoenixcontact.com/us/products/1201714>



DIN rail, unperforated, similar to EN 60715, material: Steel, galvanized, passivated with a thick layer, Standard profile, color: silver, Pack of 25 (50 m)

Relay Module - RIF-1-RPT-LDP-24DC/2X21/FG



2908215

<https://www.phoenixcontact.com/us/products/2908215>

DIN rail, unperforated

DIN rail, unperforated - NS 35/15 WH UNPERF 2000MM-VPE 10 - 1204135

<https://www.phoenixcontact.com/us/products/1204135>



DIN rail, unperforated, similar to EN 60715, material: Steel, Galvanized, white passivated, Standard profile, color: silver, Pack of 10 (20 m)

DIN rail, unperforated

DIN rail, unperforated - NS 35/15 AL UNPERF 2000MM - 1201756

<https://www.phoenixcontact.com/us/products/1201756>



DIN rail, unperforated, similar to EN 60715, material: Aluminum, uncoated, Standard profile, color: silver

Relay Module - RIF-1-RPT-LDP-24DC/2X21/FG



2908215

<https://www.phoenixcontact.com/us/products/2908215>

DIN rail, unperforated

DIN rail, unperforated - NS 35/15 ZN UNPERF 2000MM - 1206586

<https://www.phoenixcontact.com/us/products/1206586>



DIN rail, unperforated, similar to EN 60715, material: Steel, galvanized, Standard profile, color: silver, Pack of 25 (50 m)

DIN rail, unperforated

DIN rail, unperforated - NS 35/15 CU UNPERF 2000MM-VPE 10 - 1201895

<https://www.phoenixcontact.com/us/products/1201895>



DIN rail, unperforated, similar to EN 60715, material: Copper, uncoated, Standard profile, color: copper-colored, Pack of 10 (20 m)

Relay Module - RIF-1-RPT-LDP-24DC/2X21/FG



2908215

<https://www.phoenixcontact.com/us/products/2908215>

DIN rail, unperforated

DIN rail, unperforated - NS 35/15-2,3 UNPERF 2000MM-VPE 10 - 1201798

<https://www.phoenixcontact.com/us/products/1201798>



DIN rail, unperforated, acc. to EN 60715, material: Steel, galvanized, passivated with a thick layer, Standard profile 2.3 mm, color: silver, Pack of 10 (20 m)

Plug-in bridge

Plug-in bridge - FBS 2-6 - 3030336

<https://www.phoenixcontact.com/us/products/3030336>



Plug-in bridge, pitch: 6.2 mm, color: red

Relay Module - RIF-1-RPT-LDP-24DC/2X21/FG



2908215

<https://www.phoenixcontact.com/us/products/2908215>

Plug-in bridge

Plug-in bridge - FBS 2-6 BU - 3036932

<https://www.phoenixcontact.com/us/products/3036932>



Plug-in bridge, pitch: 6.2 mm, color: blue

Plug-in bridge

Plug-in bridge - FBS 2-6 GY - 3032237

<https://www.phoenixcontact.com/us/products/3032237>



Plug-in bridge, pitch: 6.2 mm, color: gray

Relay Module - RIF-1-RPT-LDP-24DC/2X21/FG



2908215

<https://www.phoenixcontact.com/us/products/2908215>

Plug-in bridge

Plug-in bridge - FBS 2-8 - 3030284

<https://www.phoenixcontact.com/us/products/3030284>



Plug-in bridge, pitch: 8.2 mm, color: red

Plug-in bridge

Plug-in bridge - FBS 2-8 BU - 3032567

<https://www.phoenixcontact.com/us/products/3032567>



Plug-in bridge, pitch: 8.2 mm, color: blue

Relay Module - RIF-1-RPT-LDP-24DC/2X21/FG



2908215

<https://www.phoenixcontact.com/us/products/2908215>

Plug-in bridge

Plug-in bridge - FBS 2-8 GY 7042 - 3032541

<https://www.phoenixcontact.com/us/products/3032541>



Bridge for potential distribution

Test plugs

Test plugs - MPS-MT - 0201744

<https://www.phoenixcontact.com/us/products/0201744>



Test plugs, with solder connection up to 1 mm² conductor cross section, color: gray

2908215

<https://www.phoenixcontact.com/us/products/2908215>

Marker for terminal blocks

Marker for terminal blocks - UC-TM 16 - 0819217

<https://www.phoenixcontact.com/us/products/0819217>



Marker for terminal blocks, Sheet, white, unlabeled, can be labeled with: BLUEMARK ID COLOR, BLUEMARK ID, BLUEMARK CLED, PLOTMARK, CMS-P1-PLOTTER, mounting type: snap in, for terminal block width: 16 mm, lettering field size: 15.45 x 10.5 mm, Number of individual labels: 32

Marker for terminal blocks

Marker for terminal blocks - UC-TMF 16 - 0819262

<https://www.phoenixcontact.com/us/products/0819262>



Marker for terminal blocks, Sheet, white, unlabeled, can be labeled with: BLUEMARK ID COLOR, BLUEMARK ID, BLUEMARK CLED, PLOTMARK, CMS-P1-PLOTTER, mounting type: snap in, for terminal block width: 16 mm, lettering field size: 15.45 x 5.1 mm, Number of individual labels: 32

2908215

<https://www.phoenixcontact.com/us/products/2908215>

Marker for terminal blocks

Marker for terminal blocks - UC-TM 5 - 0818108

<https://www.phoenixcontact.com/us/products/0818108>



Marker for terminal blocks, Sheet, white, unlabeled, can be labeled with: BLUEMARK ID COLOR, BLUEMARK ID, BLUEMARK CLED, PLOTMARK, CMS-P1-PLOTTER, mounting type: snap in, for terminal block width: 5.2 mm, lettering field size: 10.5 x 4.6 mm, Number of individual labels: 96

Marker for terminal blocks

Marker for terminal blocks - UC-TM 5 CUS - 0824581

<https://www.phoenixcontact.com/us/products/0824581>



Marker for terminal blocks, can be ordered: by sheet, white, labeled according to customer specifications, mounting type: snap into tall marker groove, for terminal block width: 5.2 mm, lettering field size: 10.5 x 4.6 mm, Number of individual labels: 96

Relay Module - RIF-1-RPT-LDP-24DC/2X21/FG



2908215

<https://www.phoenixcontact.com/us/products/2908215>

Marker for terminal blocks

Marker for terminal blocks - UCT-TM 5 - 0828734

<https://www.phoenixcontact.com/us/products/0828734>



Marker for terminal blocks, Sheet, white, unlabeled, can be labeled with: TOPMARK NEO, TOPMARK LASER, BLUEMARK ID COLOR, BLUEMARK ID, BLUEMARK CLED, THERMOMARK PRIME, THERMOMARK CARD 2.0, THERMOMARK CARD, mounting type: snap in, for terminal block width: 5.2 mm, lettering field size: 4.6 x 10.5 mm, Number of individual labels: 72

Marker for terminal blocks

Marker for terminal blocks - UCT-TM 5 CUS - 0829595

<https://www.phoenixcontact.com/us/products/0829595>



Marker for terminal blocks, can be ordered: by sheet, white, labeled according to customer specifications, mounting type: snap into tall marker groove, for terminal block width: 5.2 mm, lettering field size: 4.6 x 10.5 mm, Number of individual labels: 72

Phoenix Contact 2022 © - all rights reserved

<https://www.phoenixcontact.com>

Phoenix Contact USA
586 Fulling Mill Road
Middletown, PA 17057, United States
(+717) 944-1300
info@phoenixcon.com